

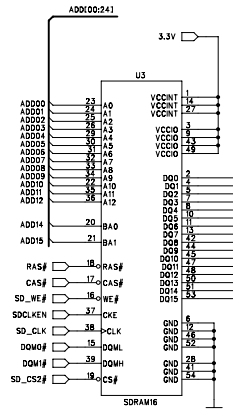
Jumpers:
 JP1 = User Jumper
 JP4 = TS-TEST

AC97 Audio

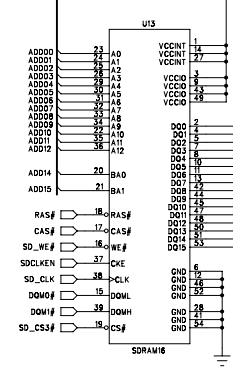
I2S Audio

Technologic Systems	Date	Sept. 6, 2006
Title: TS-7400	EP9302 CPU	
Rev:	Designer RLM	Sheet 1 of 4

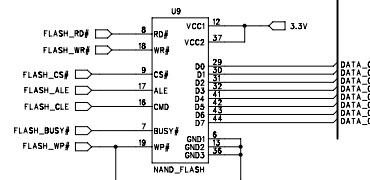
SDRAM



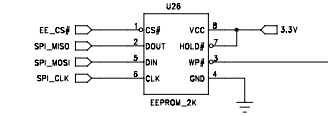
SDRAM



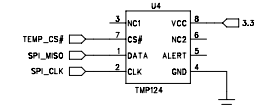
NAND Flash



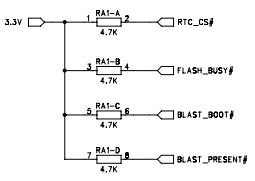
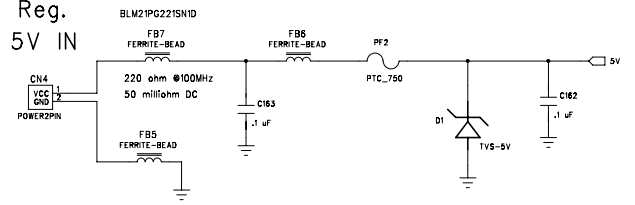
EEPROM



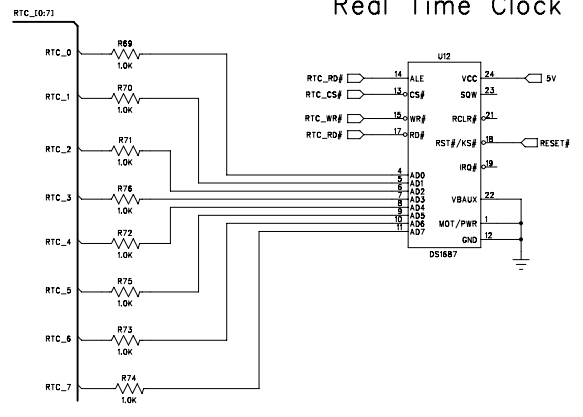
Temp Sensor



Reg. 5V IN

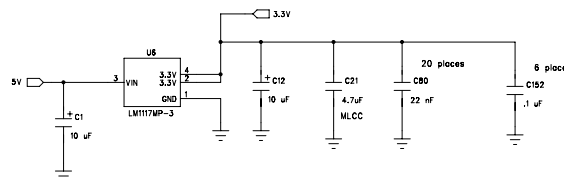


Battery-Backed Real Time Clock

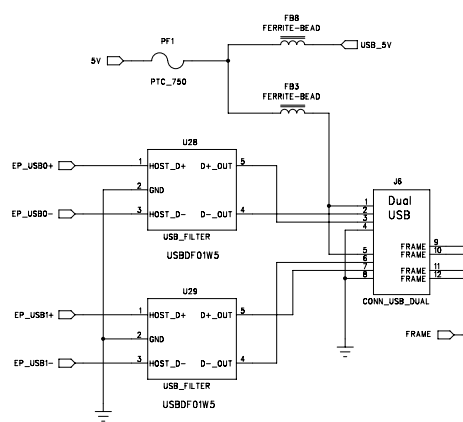
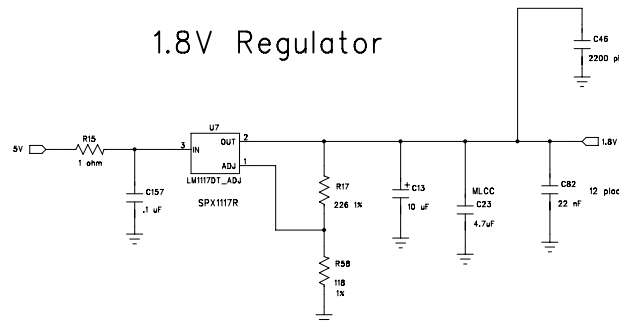


Technologic Systems	Date	Sept. 6, 2006
Title: TS-7400 SDRAM, Flash, EEPROM, RTC		
Rev:	Designer	RLM
		Sheet 2 of 4

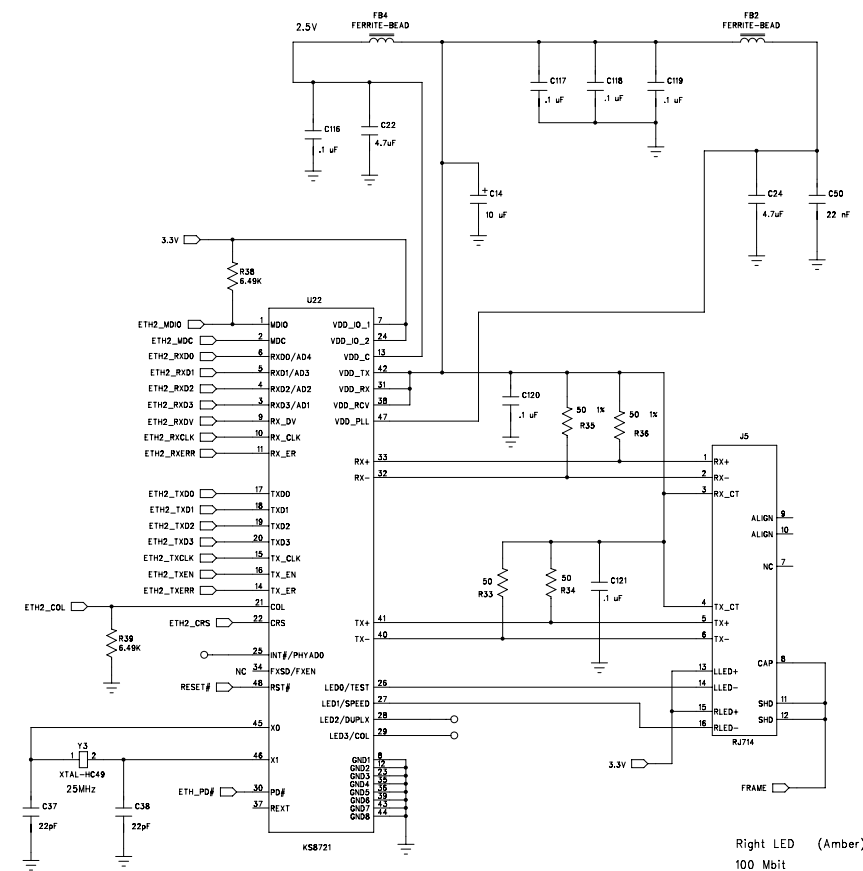
3.3V Regulator



1.8V Regulator



10/100 Ethernet



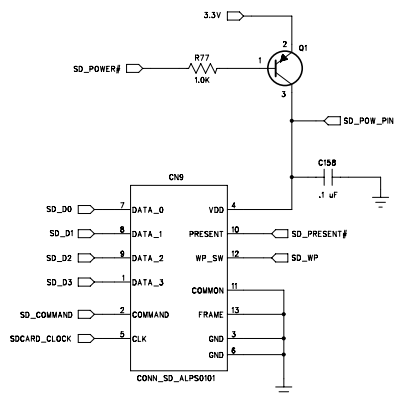
Defaults to PHY address 00001

Right LED (Amber)
100 Mbit

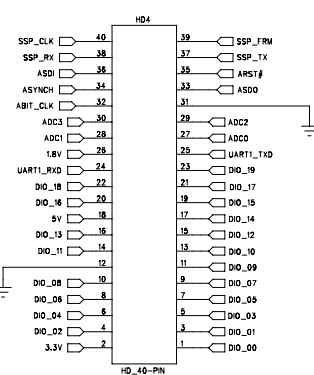
Left LED (Green)
Link / Activity

Technologic Systems	Date	Sept. 6, 2006
Title: TS-7400	Ethernet, USB	
Rev:	Designer RLM	Sheet 3 of 4

SD Card Socket



40-Pin Header



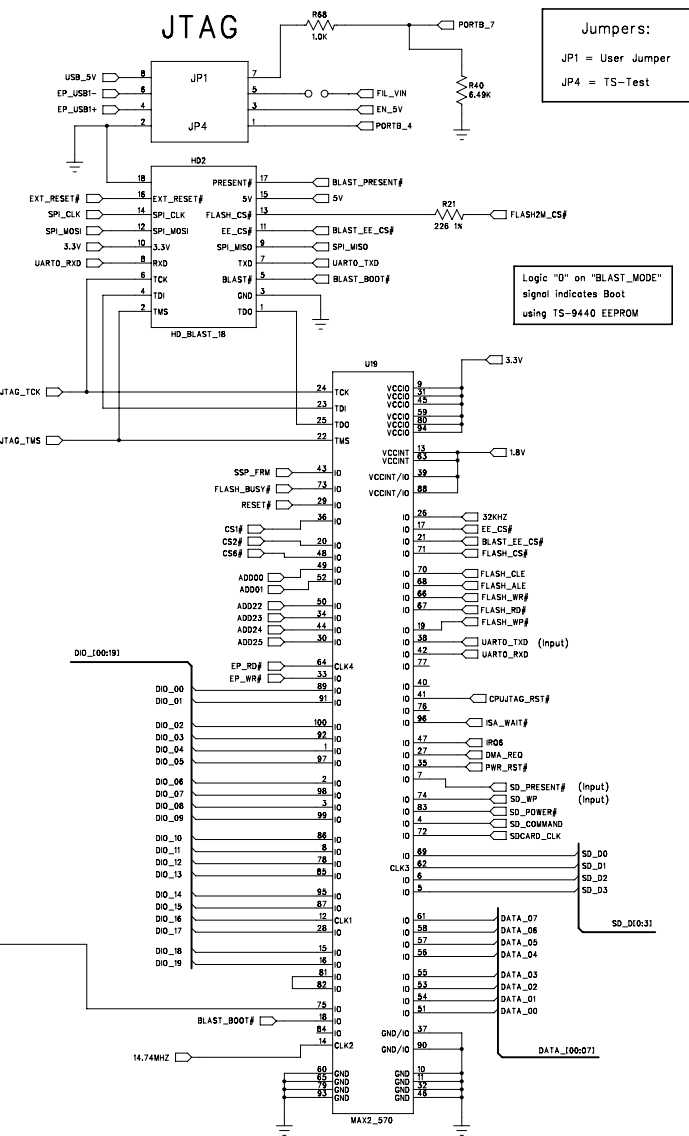
MAX2 current drain

ICore during power up = 40 mA typical
 ICore idle = 2 mA (no clocks)
 ICore with 14.7 MHz clocking is 4-6 mA

Current for 3.3V is dynamic only
 (probably 2-5 mA only)

MAX2_570 requires 300 uS to copy
 Flash into RAM after Vcore > 1.5V

JTAG

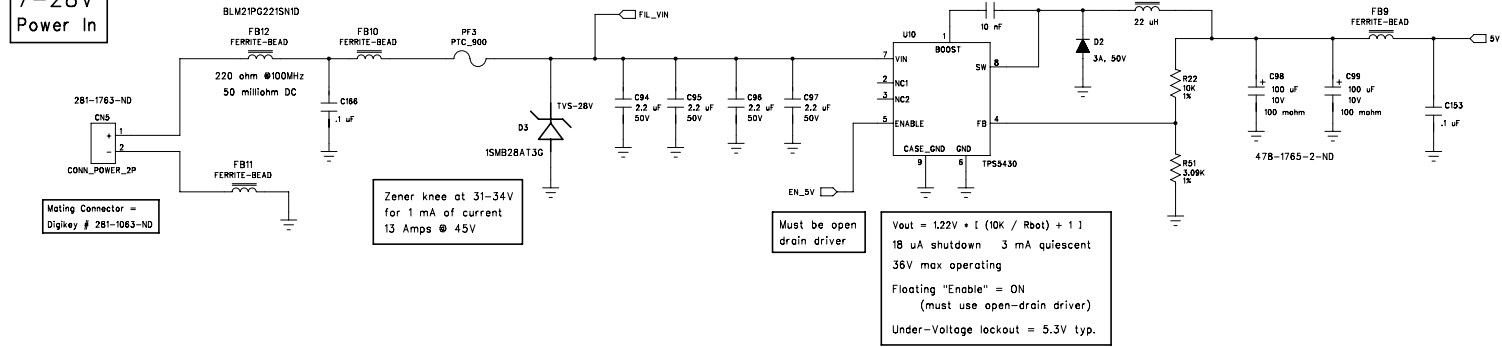


Jumpers:
 JP1 = User Jumper
 JP4 = TS-Test

Logic "0" on "BLAST_MODE" signal indicates Boot using TS-9440 EEPROM

5V Power Supply (2 Amps)

7-28V
Power In



Technologic Systems	Date	Sept. 6, 2006
Title: TS-7400 Switching Power Supply		
Rev:	Designer	Sheet 5 of 5