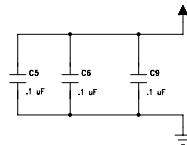
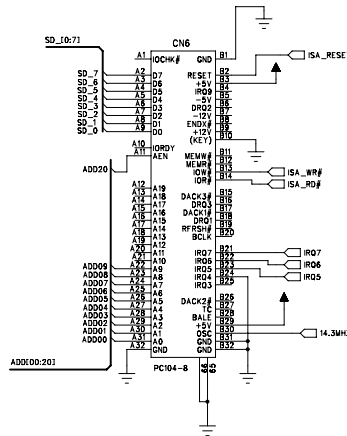
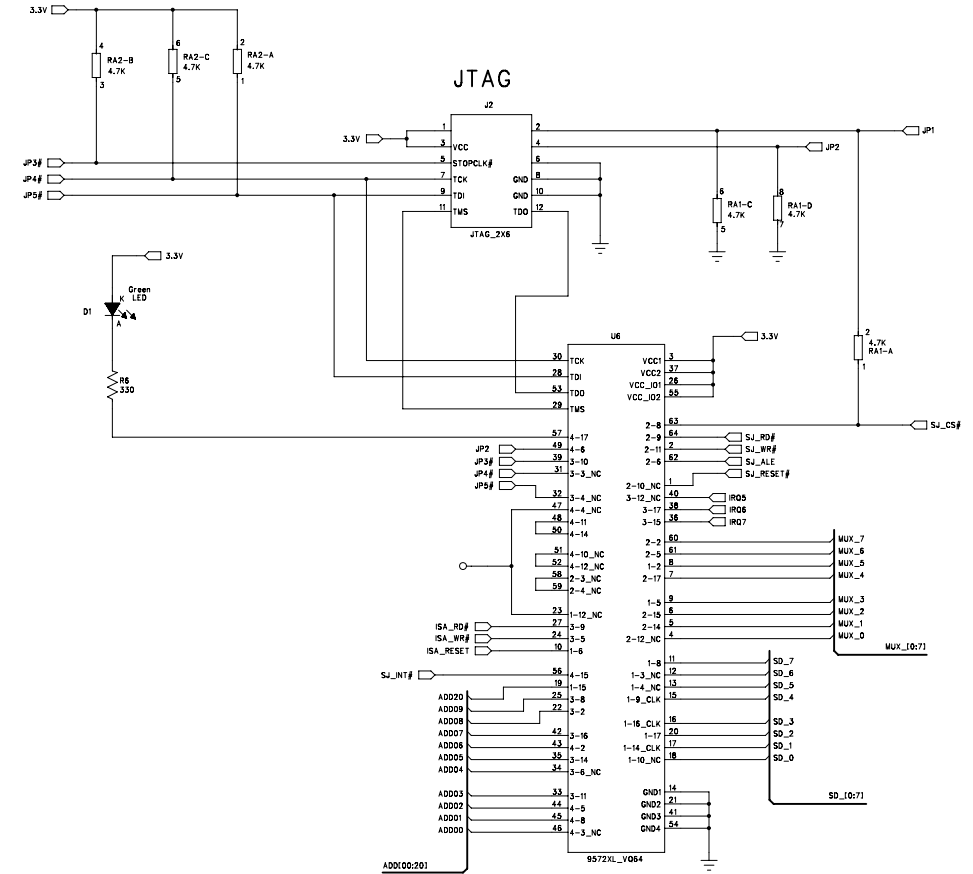
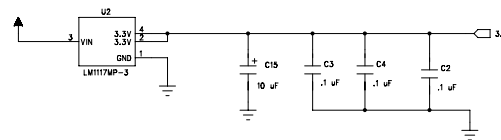


PC/104 Connector



3.3V Regulator



RA1-B
4.7K