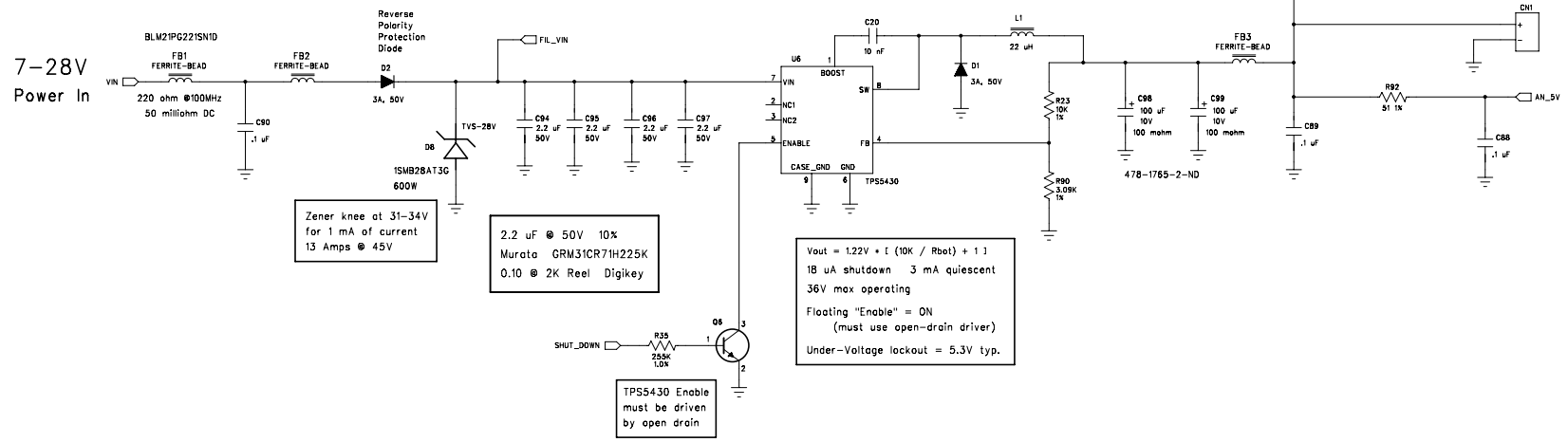
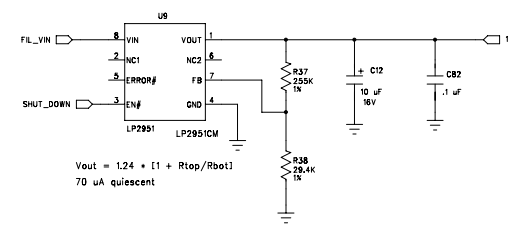


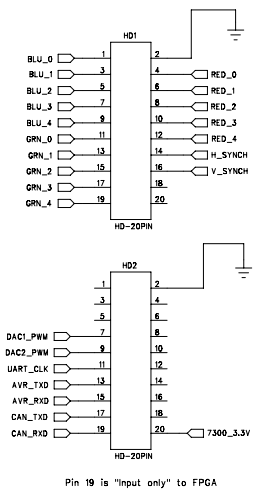
5V Power Supply (2 Amps)



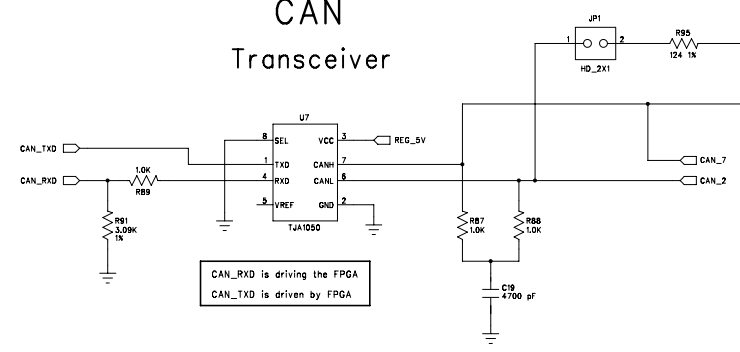
12V Regulator for TLC083



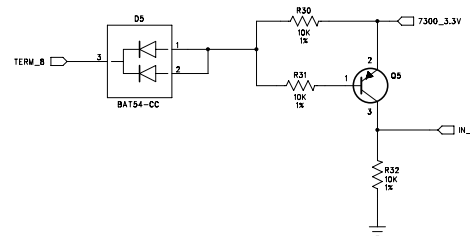
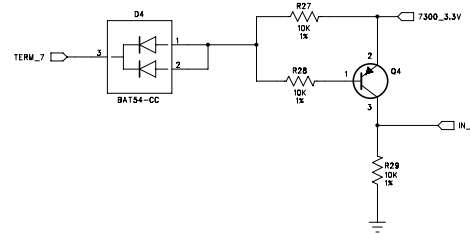
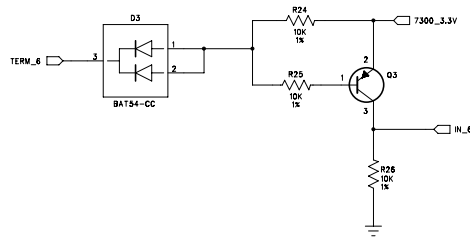
40-pin to TS-7300



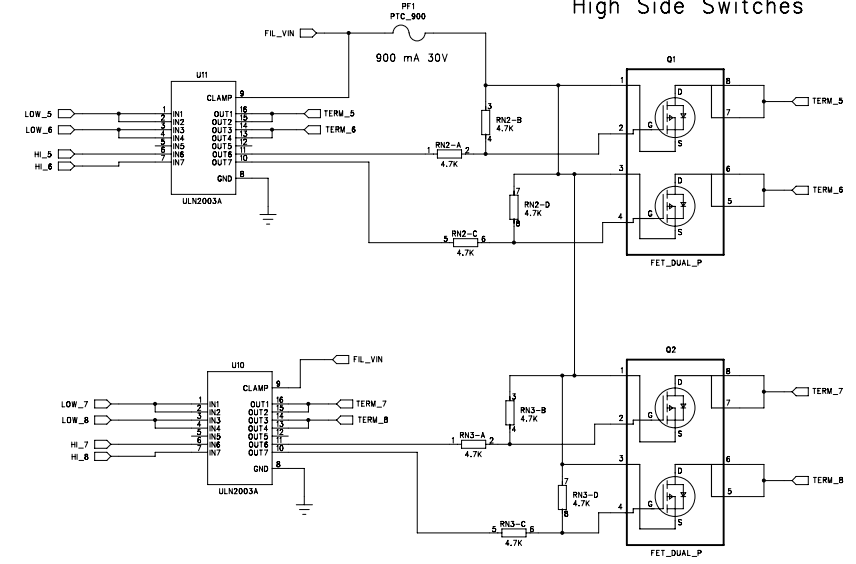
CAN Transceiver



Digital Inputs



High Side Switches



IRF 7306 = 30V, 100 mohm
 IRF 7316 = 30V, 58 mohm
 IRF 7342 = 55V, 105 mohm

Thermistor -- Resettable

LittleFuse	RLD30P090 = 900mA 30V 200 mil lead space	
	RLD30P110 = 1100mA 30V	
	RLD60P090 = 900mA 60V	Add "F" for Lead-Free
	RLD60P110 = 1100mA 60V	
Bourns	MF-R090 = 900mA 60V 200 mil lead space	
	MF-RX110 = 1100mA 60V	
	Stock Digkey .36/500 .45/100	
Raychem	RUE090 = 900mA 33V 200 mil lead space	
	RXE090 = 900mA 72V	
TTI, Mouser, Digkey	Both ore .30/500	

Rear Panel Connector

