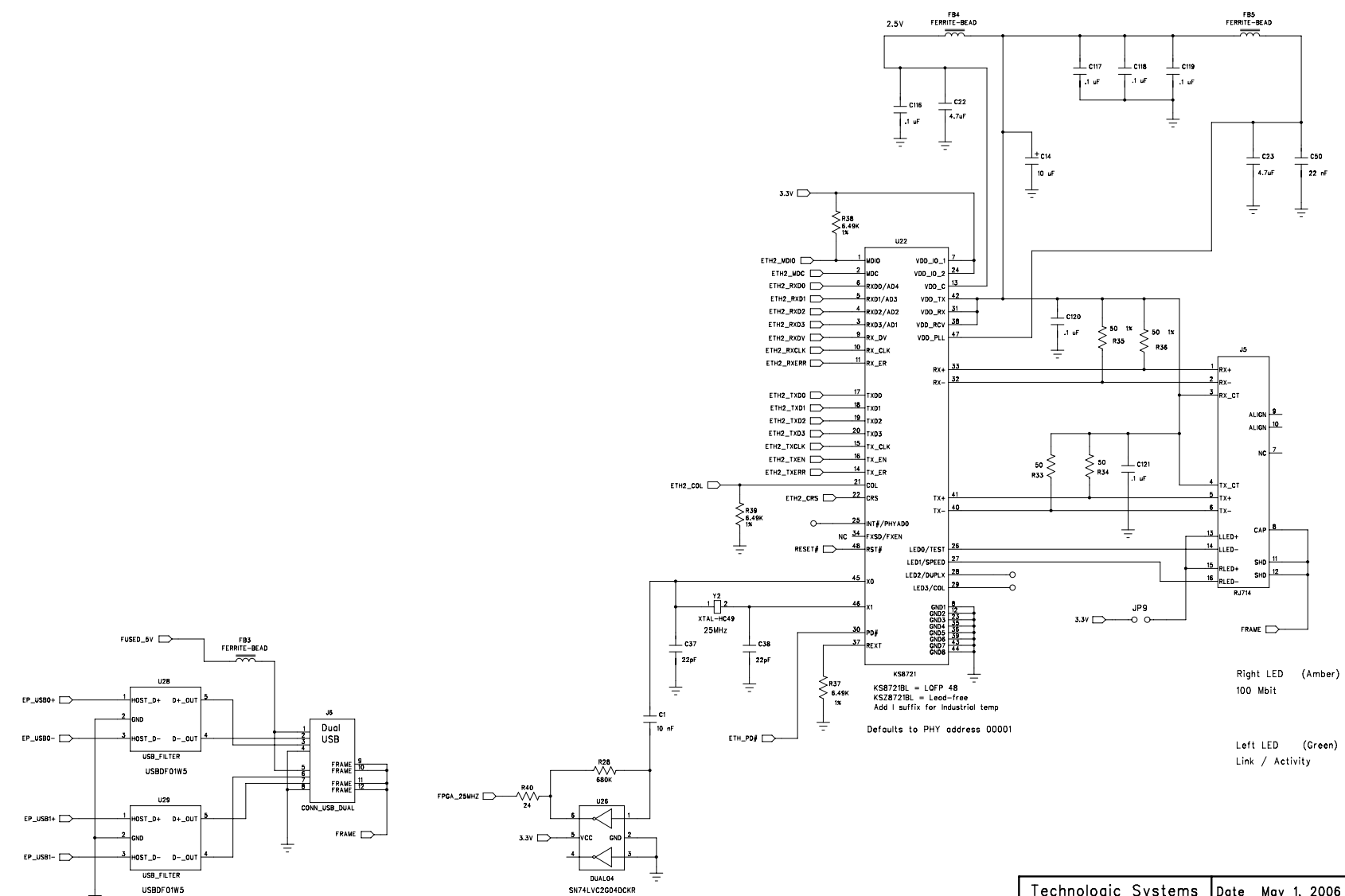




# 10/100 Ethernet



Right LED (Amber)  
100 Mbit

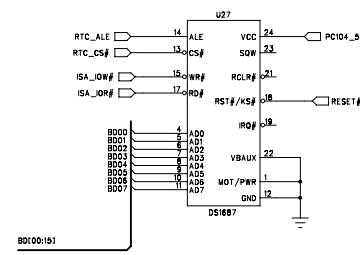
Left LED (Green)  
Link / Activity

K58721  
K58721BL = LOFP 48  
K528721BL = Lead-free  
Add -I suffix for Industrial Temp

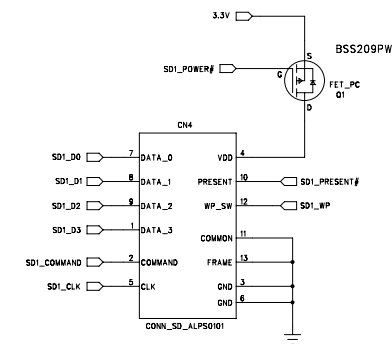
Defaults to PHY address 00001

Technologic Systems	Date	May 1, 2006
Title: TS-7300 Ethernet, COM ports, USB		
Rev:	Designer RLM	Sheet 3 of 10

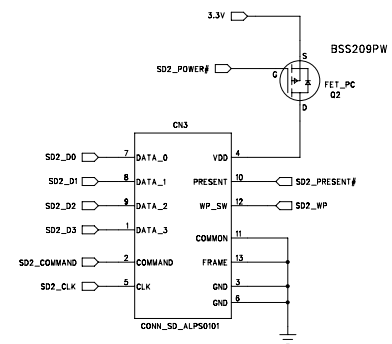
### Real Time Clock



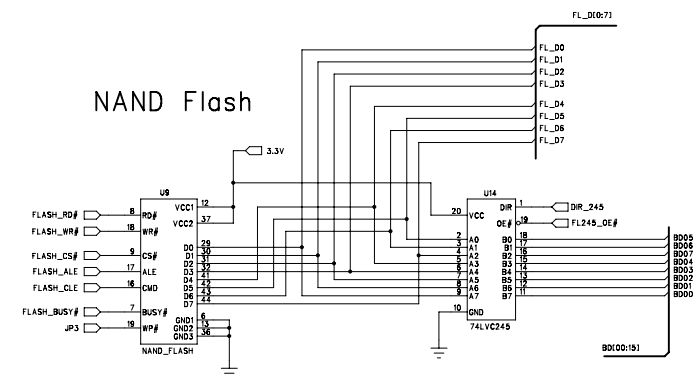
### SD Card Socket #1



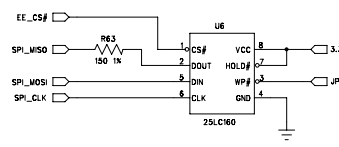
### SD Card Socket #2



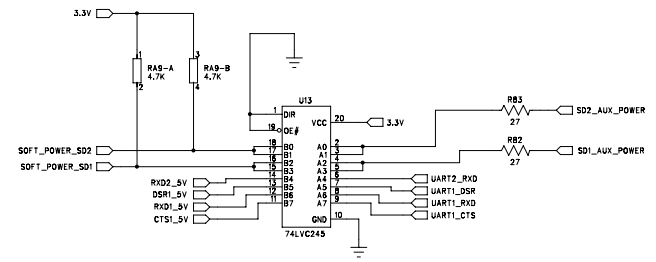
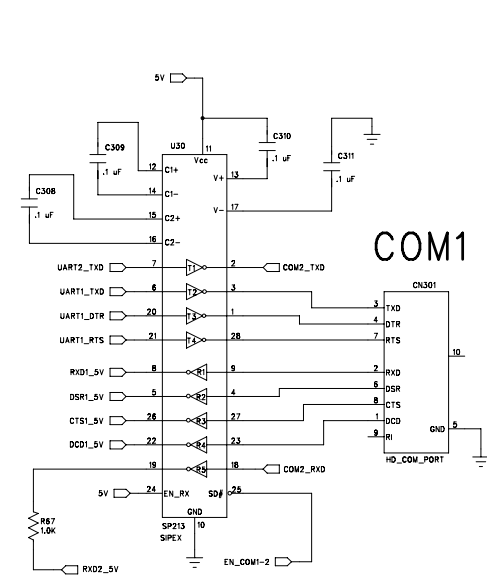
### NAND Flash



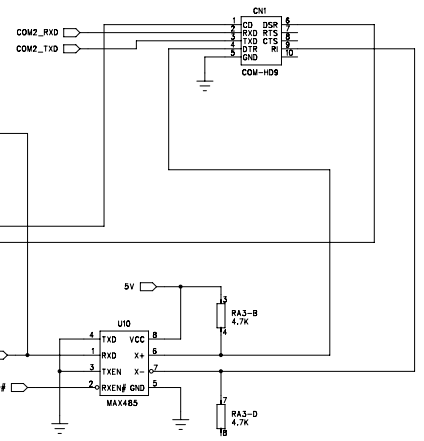
### Boot EEPROM



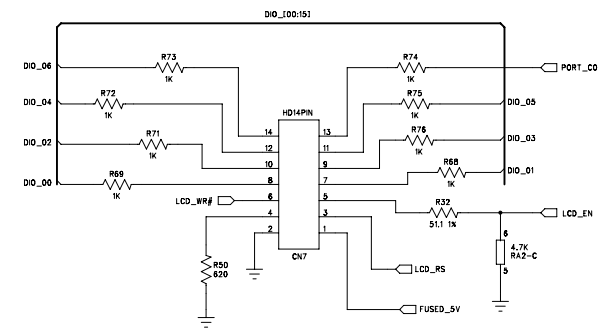
Technologic Systems	Date May 1, 2006
Title: TS-7300 NAND Flash, EEPROM, RTC	
Rev: 1.0	Designer RLM Sheet 4 of 10



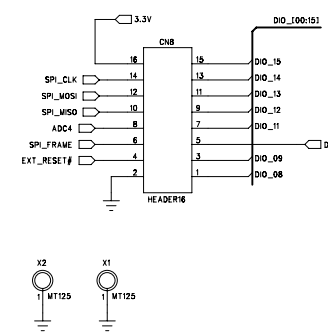
### COM2 Header



### LCD Port

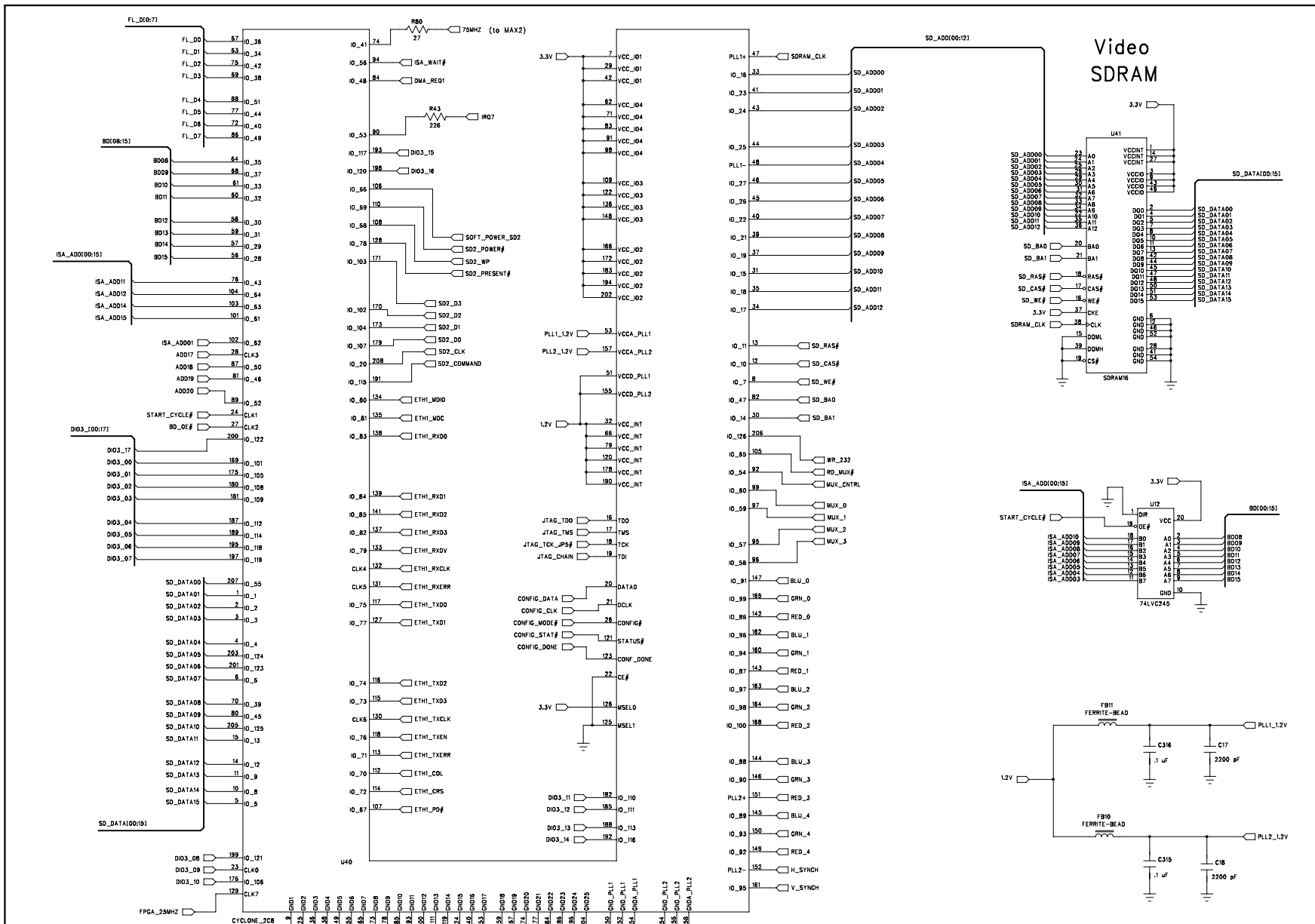


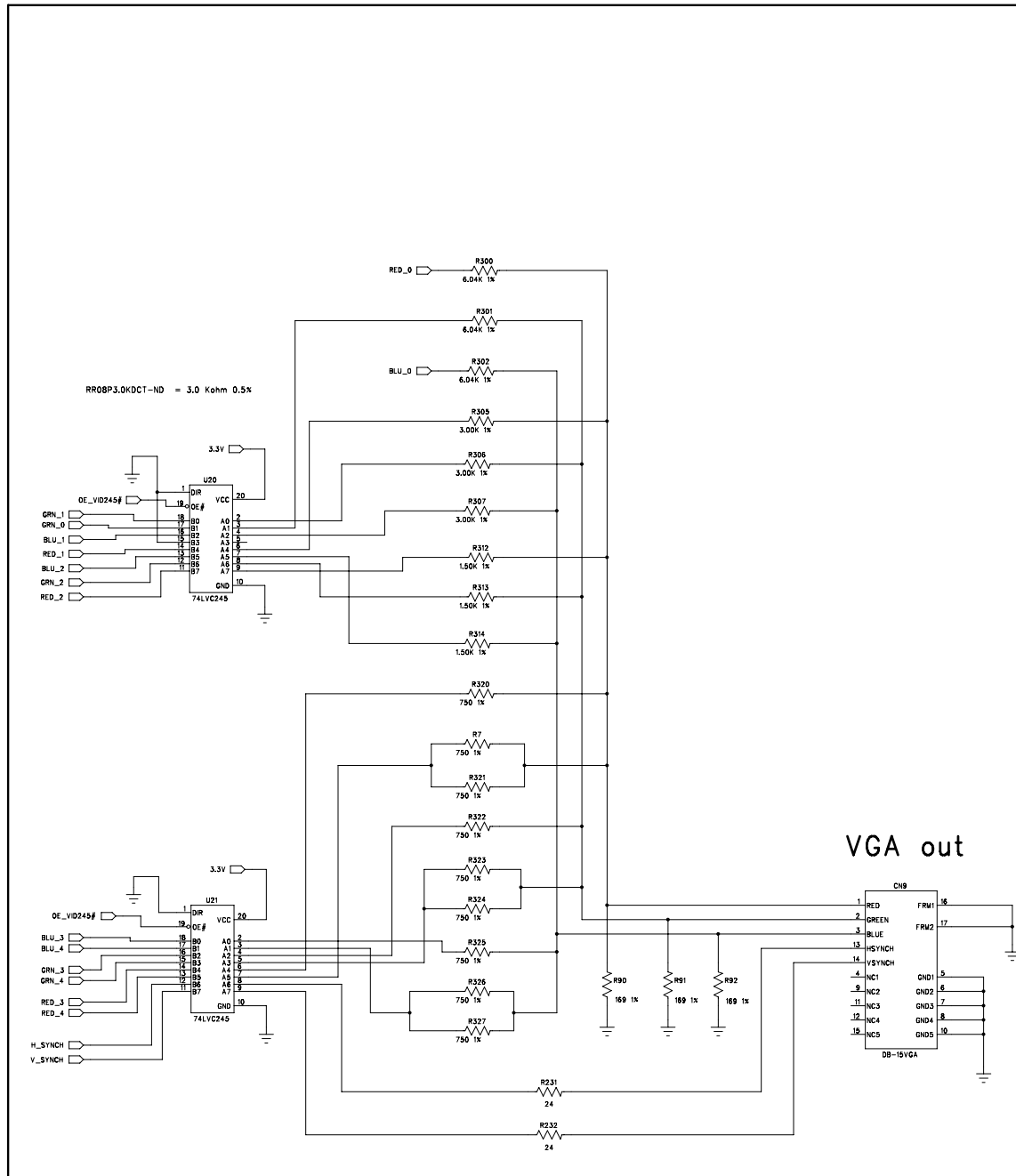
### DIO Port



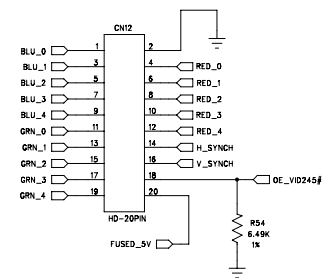
Technologic Systems	Date May 1, 2006
Title: TS-7300 Power, DIO, LCD ports	
Rev:	Designer RLM Sheet 5 of 10



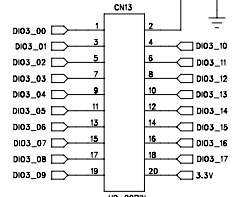




### 40-pin Header



### DIO2

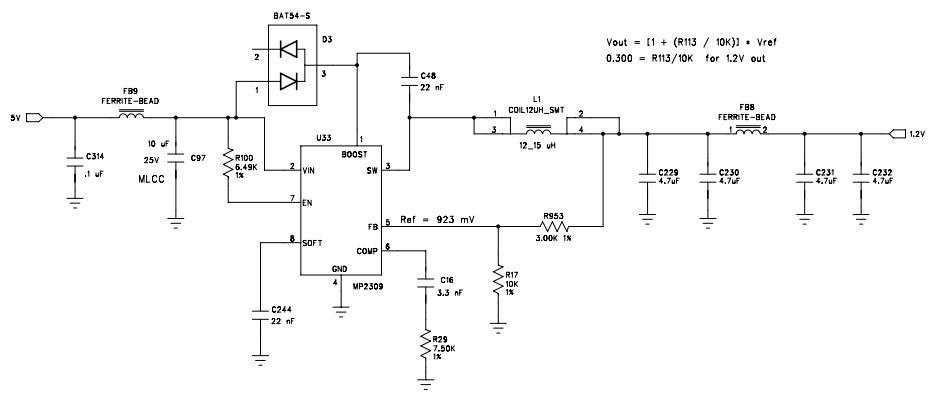


### VGA out

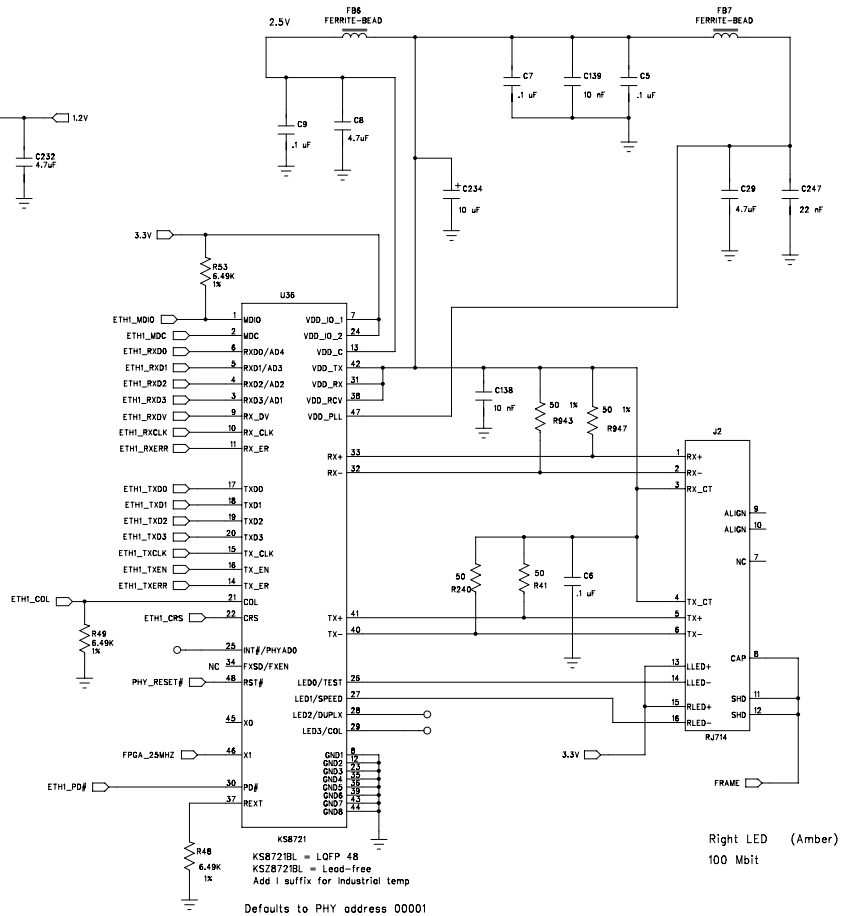
Technologic Systems	Date May 1, 2006
Title: TS-7300 VGA, DIO2, SD card	
Rev:	Designer
Sheet 8 of 10	



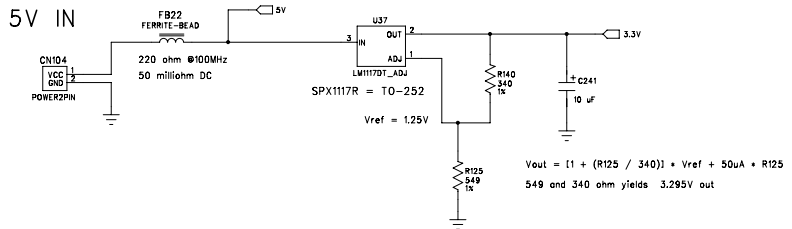
### 1.2V Power Supply



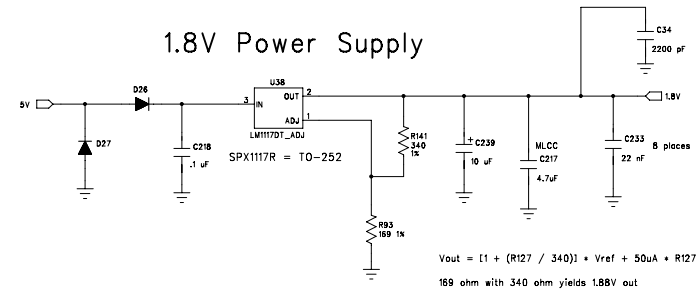
### 10/100 Ethernet

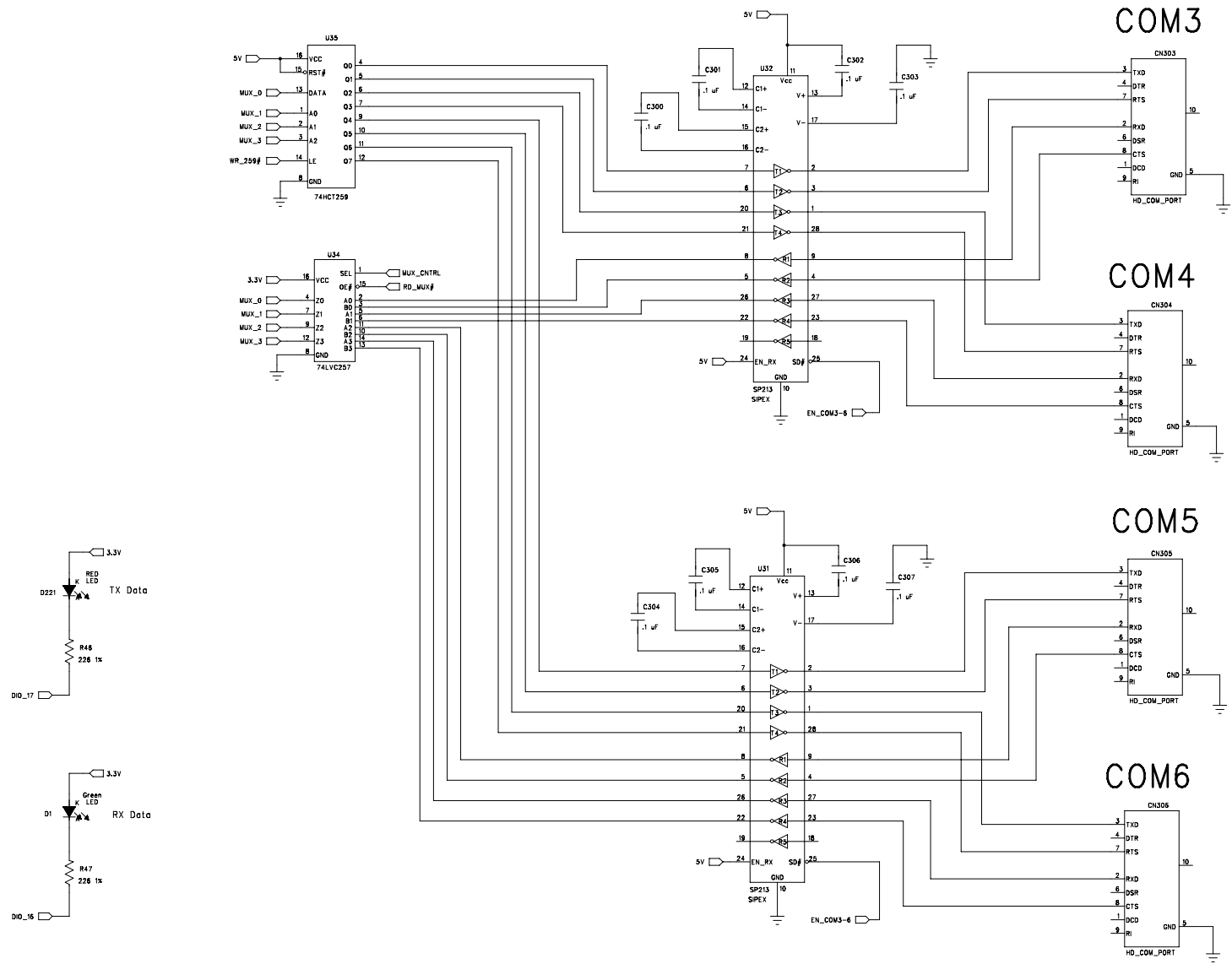


### 3.3V Power Supply



### 1.8V Power Supply





Technologic Systems		Date May 1, 2006
Title: TS-7300 COM3 thru COM6		
Rev:	Designer	Sheet 10 of 10