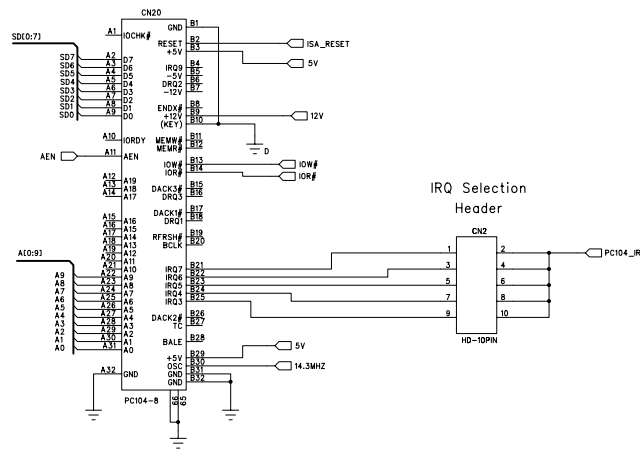


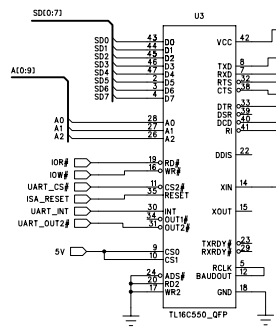
### PC/104 Bus



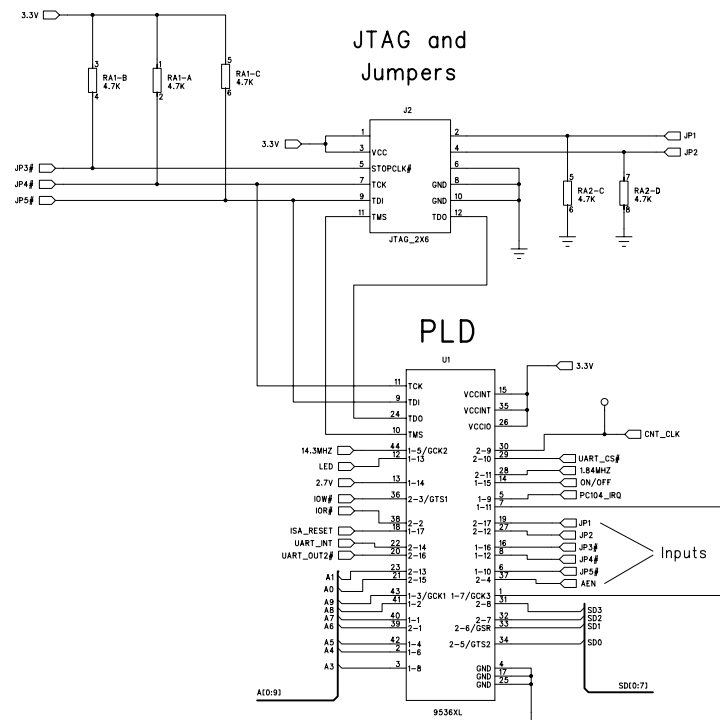
### IRQ Selection Header



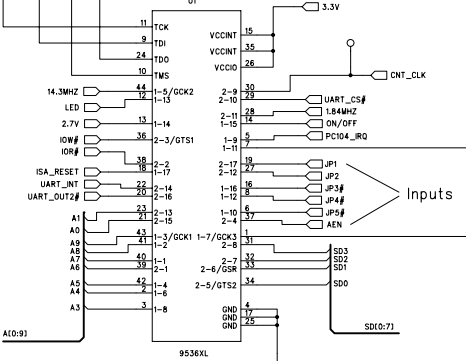
### 16C550 UART



### JTAG and Jumpers



### PLD

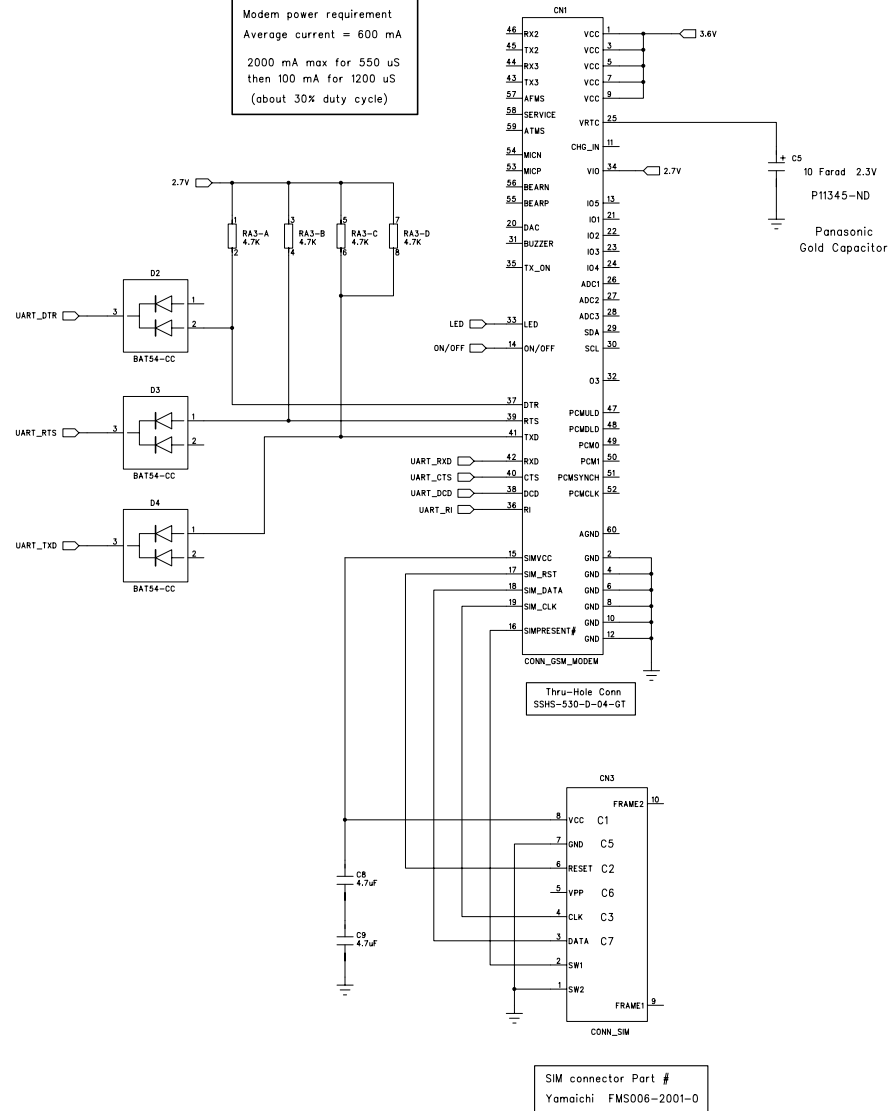


- COM1 = 3F8
- COM2 = 2F8
- COM3 = 3E8
- COM4 = 2E8
- COM5 = 3A8
- COM6 = 2A8
- COM7 = 380
- COM8 = 388

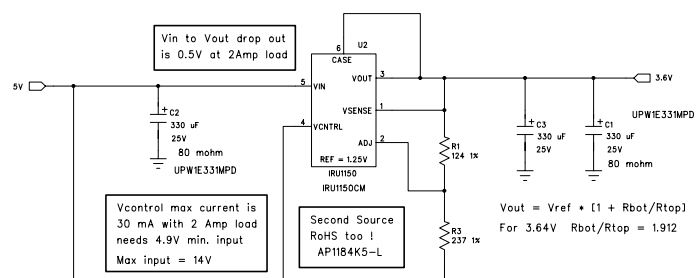
ON/OFF output of 9536 must be "Open Drain"

Modem power requirement  
 Average current = 600 mA  
 2000 mA max for 550 uS  
 then 100 mA for 1200 uS  
 (about 30% duty cycle)

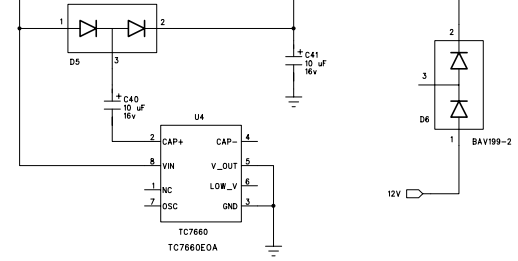
Socket for  
 Sony-Ericsson  
 GR47/GR48 Modem



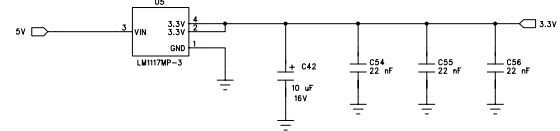
### 3.6V Low Drop Out -- Fast Regulator



### 8V Generator



### 3.3V Reg.



Technologic Systems	Date Feb. 23, 2006
Title: Power Supplies	
Rev:	Designer RLM Sheet 2 of 2