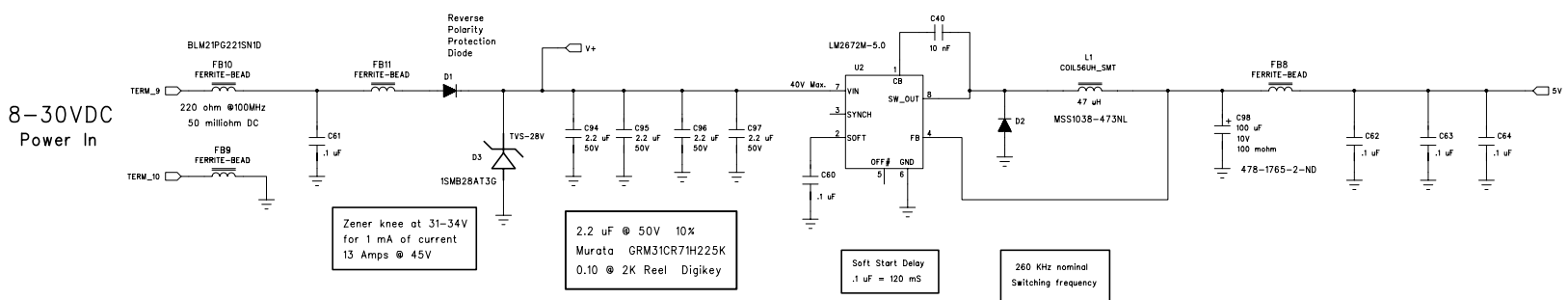
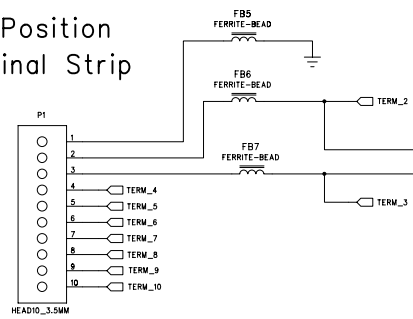


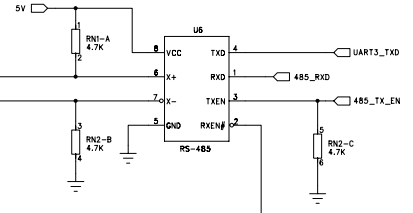
5V Power Supply (1 Amp)



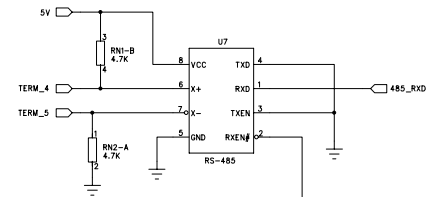
10 Position Terminal Strip



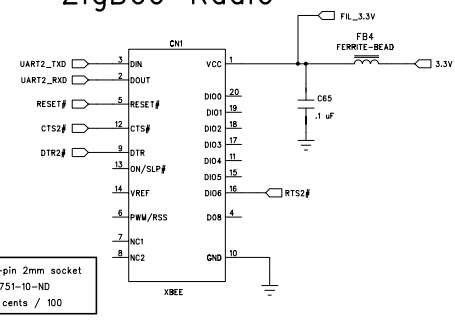
RS-485 Transceiver



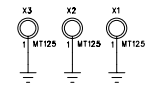
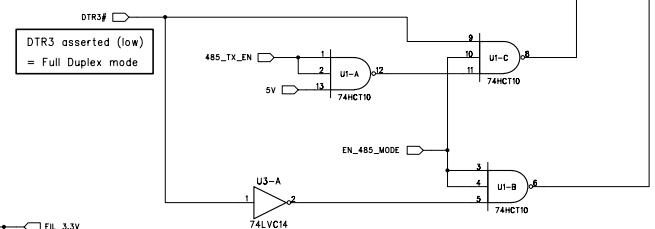
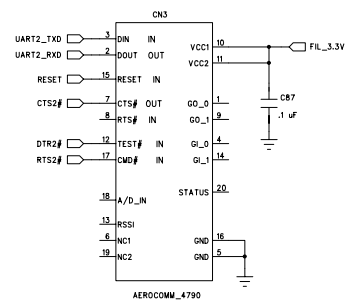
RS-485 Full Duplex Receiver



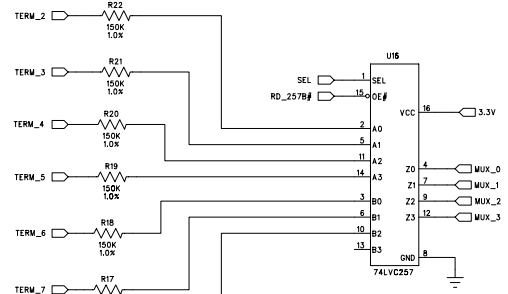
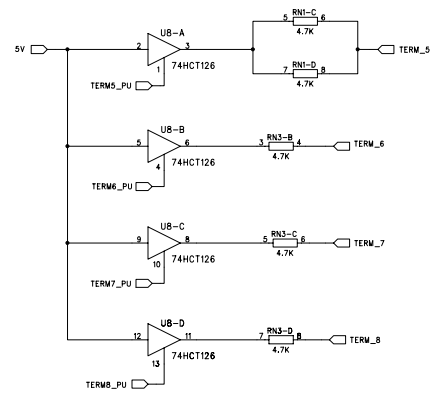
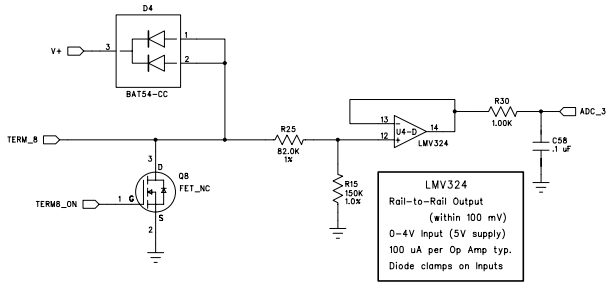
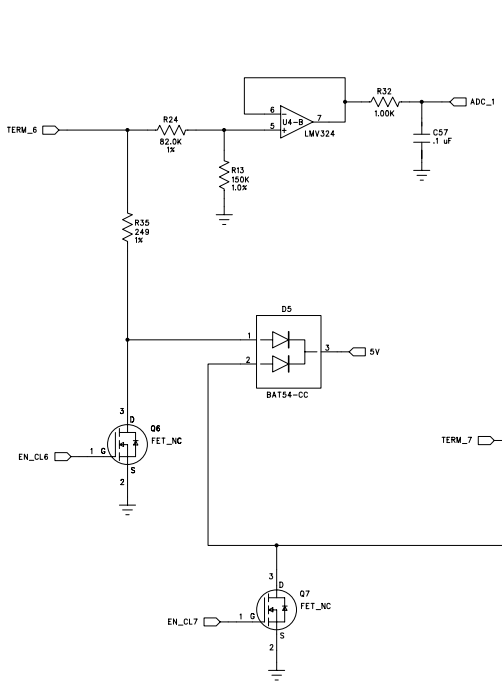
MaxStream ZigBee Radio



AeroComm Radio

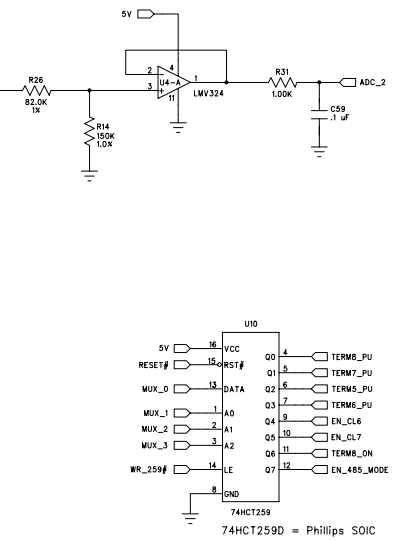


Technologic Systems	Date August 2, 2007
Title: DC420-2	
Rev:	Designer RLM Sheet 1 of 3



Logic high on Select gates B inputs to Z

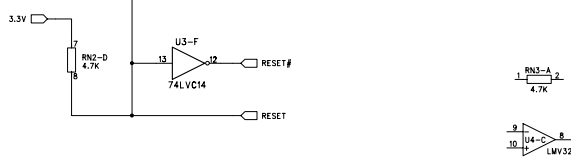
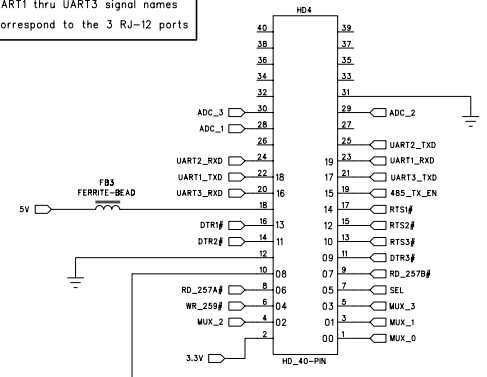
74LVC257AD = Phillips SOIC
74LVC257AD = TI SOIC



RTS1 can be read back
Can use to detect presence of TS-7412

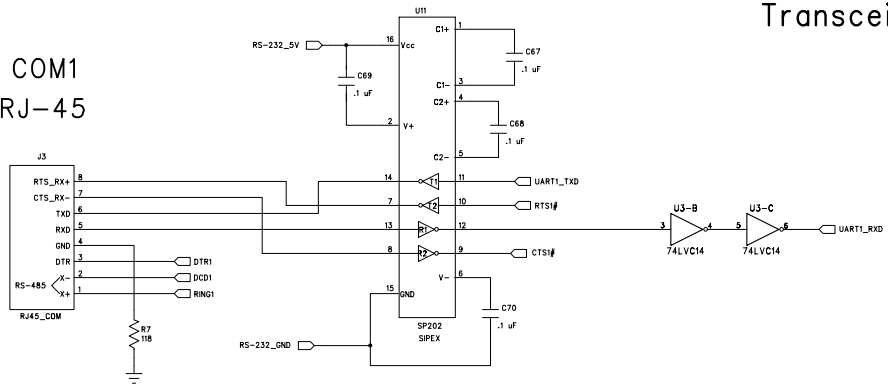
40-Pin Header

UART1 thru UART3 signal names correspond to the 3 RJ-12 ports

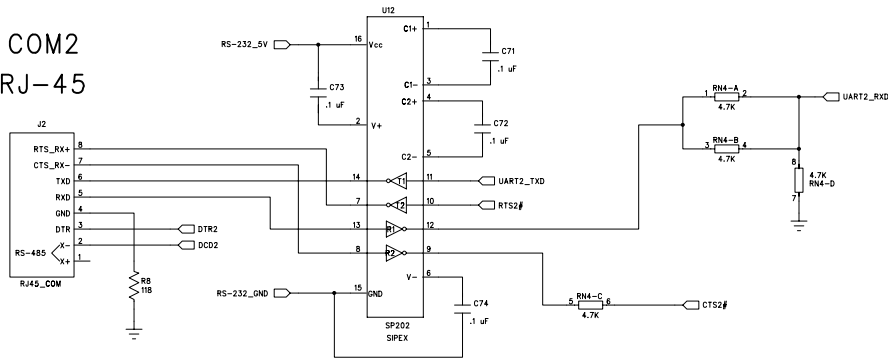


RS-232 Transceivers

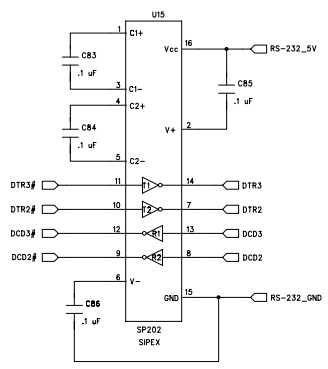
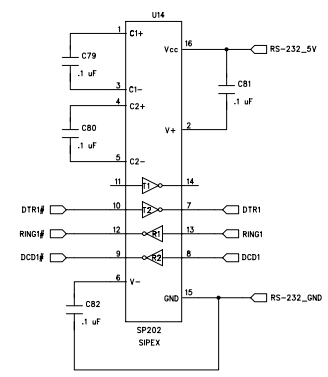
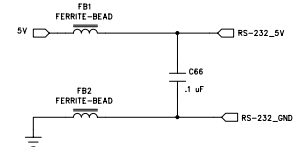
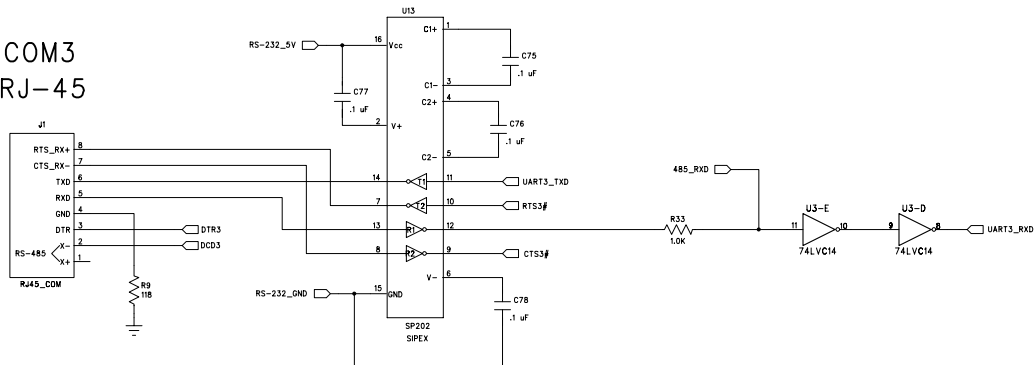
COM1 RJ-45



COM2 RJ-45



COM3 RJ-45



Technologic Systems	Date August 2, 2007
Title: DC420-2	
Rev:	Designer RLM Sheet 3 of 3