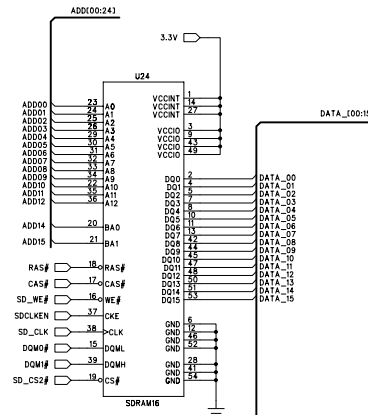
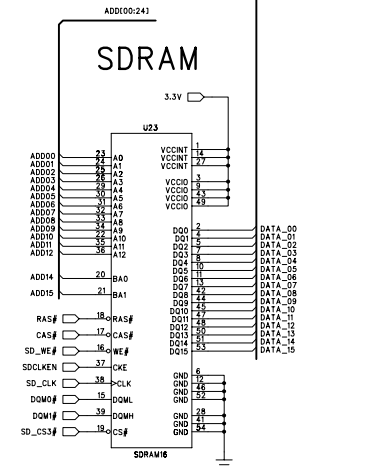


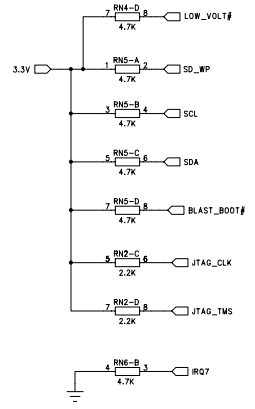
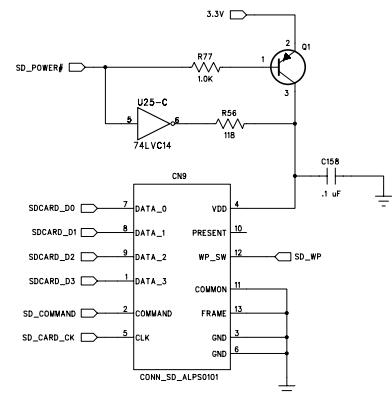
SDRAM



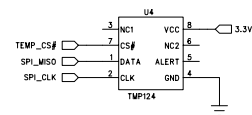
SDRAM



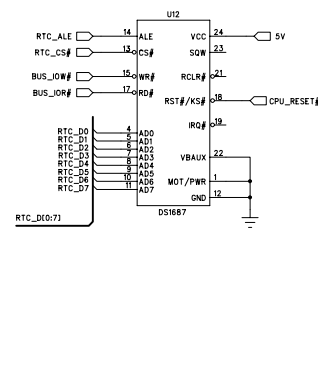
SD Card Socket



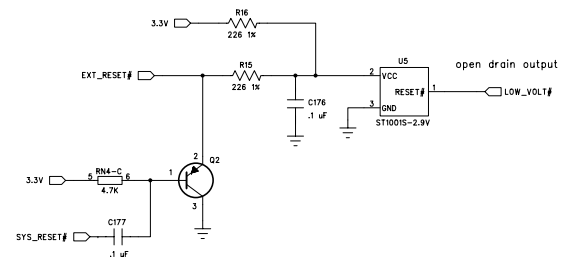
Temp Sensor



Battery-Backed Real Time Clock

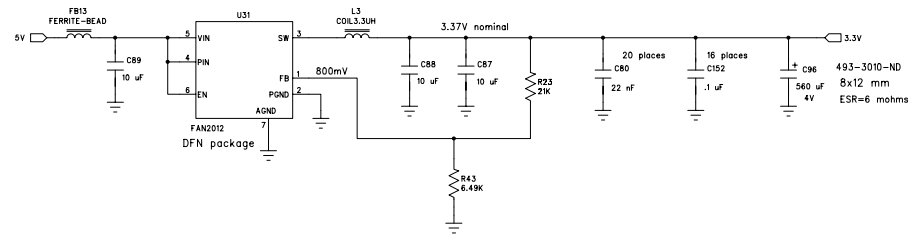


Power On Reset

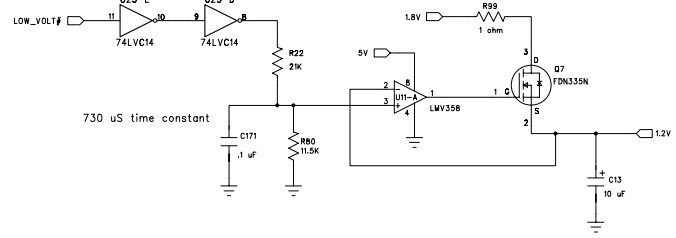


Technologic Systems	Date Aug. 11, 2008
Title: TS-7390 SDRAM, Flash, RTC, POR	
Rev:	Designer RLM Sheet 2 of 8

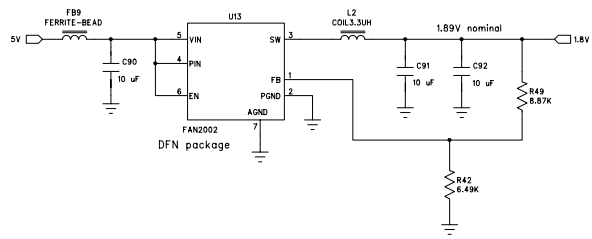
3.3V Switching Regulator



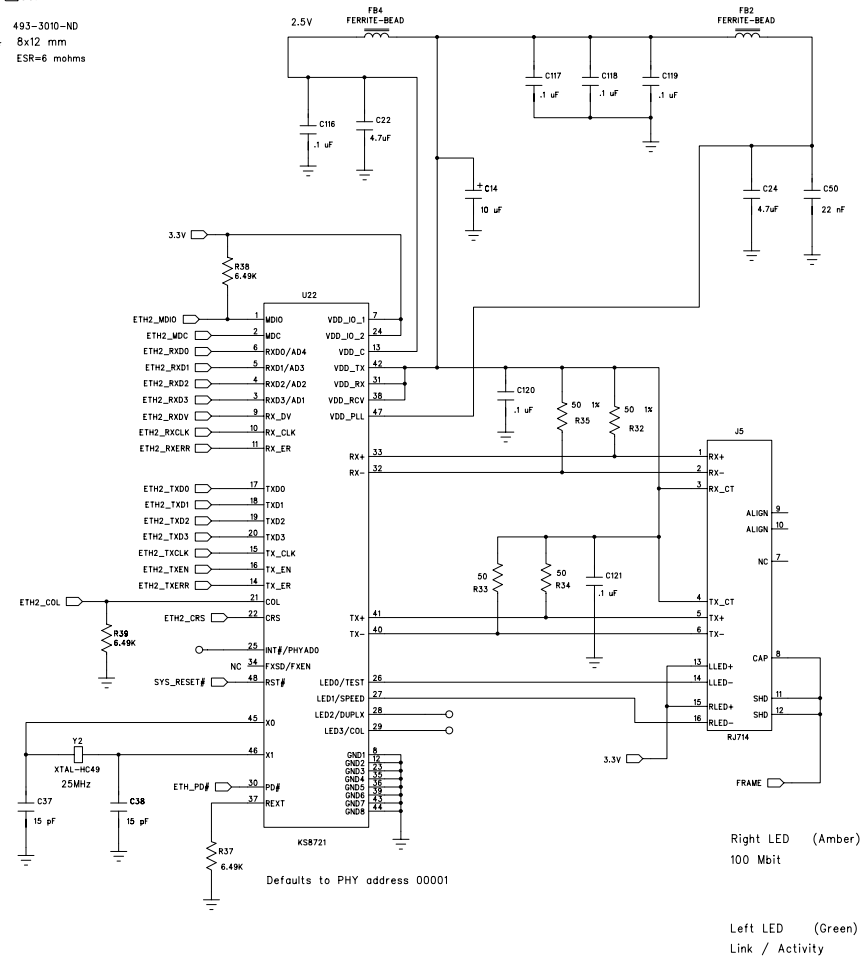
1.2V Regulator



1.8V Switching Regulator



10/100 Ethernet

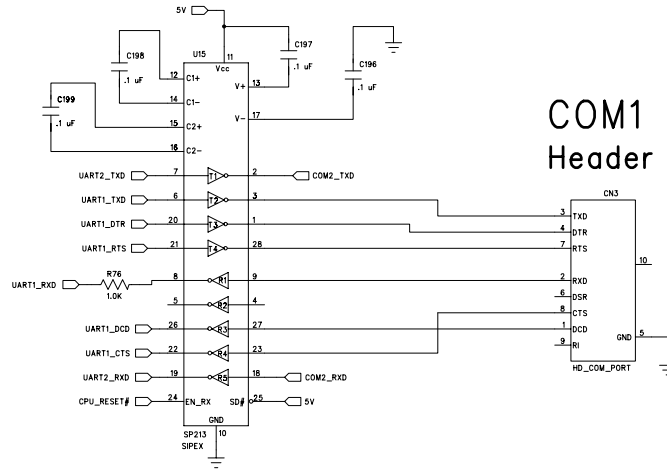


Right LED (Amber)
100 Mbit

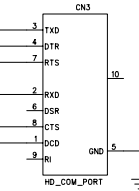
Left LED (Green)
Link / Activity

Technologic Systems	Date Aug. 11, 2008
Title: TS-7390 Power Supplies, Ethernet	
Rev:	Designer RLM Sheet 3 of 8

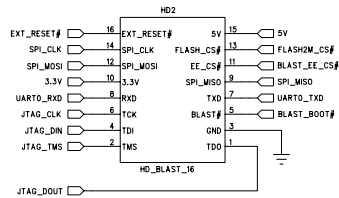
RS-232 Transceiver



COM1 Header



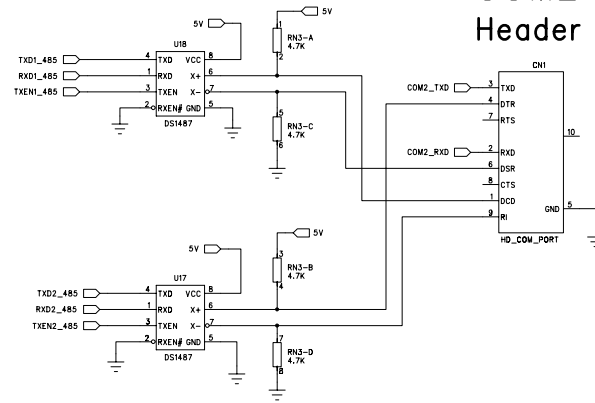
JTAG Header



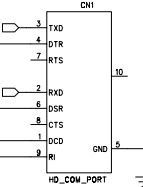
BLAST_EE_CS# is not used for booting -- FPGA Boot code has capability to boot from 2MB Serial Flash directly

Logic "0" on "BLAST_BOOT#" signal indicates Boot using TS-9444 2MB Flash

RS-485 Drivers



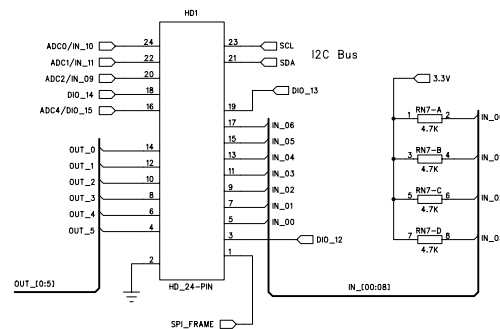
COM2 Header



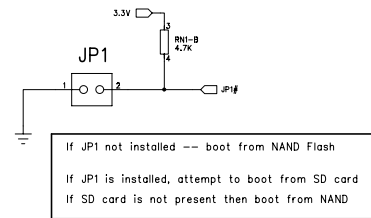
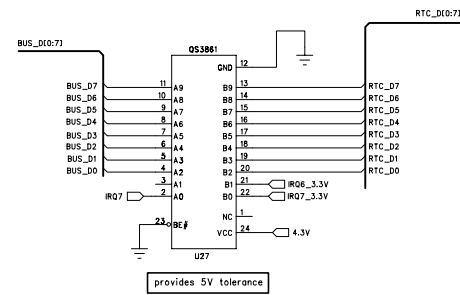
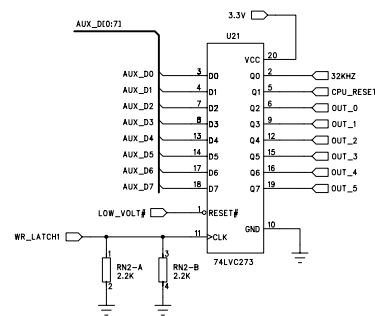
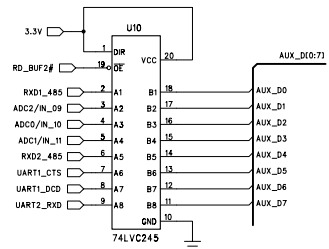
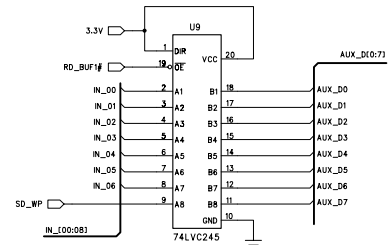
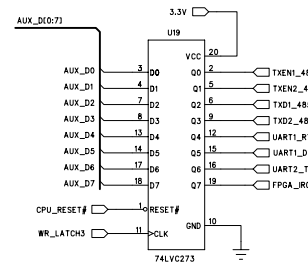
24-pin Header

24 + 16 = 40-pin Header

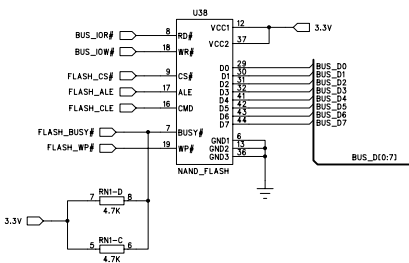
- 4 ADC
- ADC lines in parallel with IN_09, IN_10, IN11, DIO15
- 2 I2C
- 1 GND
- 6 Latched Outputs (OUT0-OUT5)
- 7 Buffered Inputs (IND-IN6)
- 3 DIO_12, DIO_13, DIO_14
- 1 SPI_FRAME



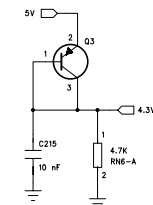
Technologic Systems	Date	Aug. 11, 2008
Title: TS-7390	COM Ports	DIO JTAG Headers
Rev:	Designer	Sheet 4 of 8



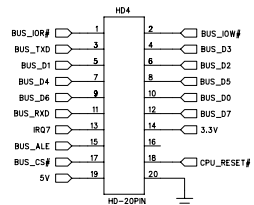
NAND Flash



4.3V Power Supply

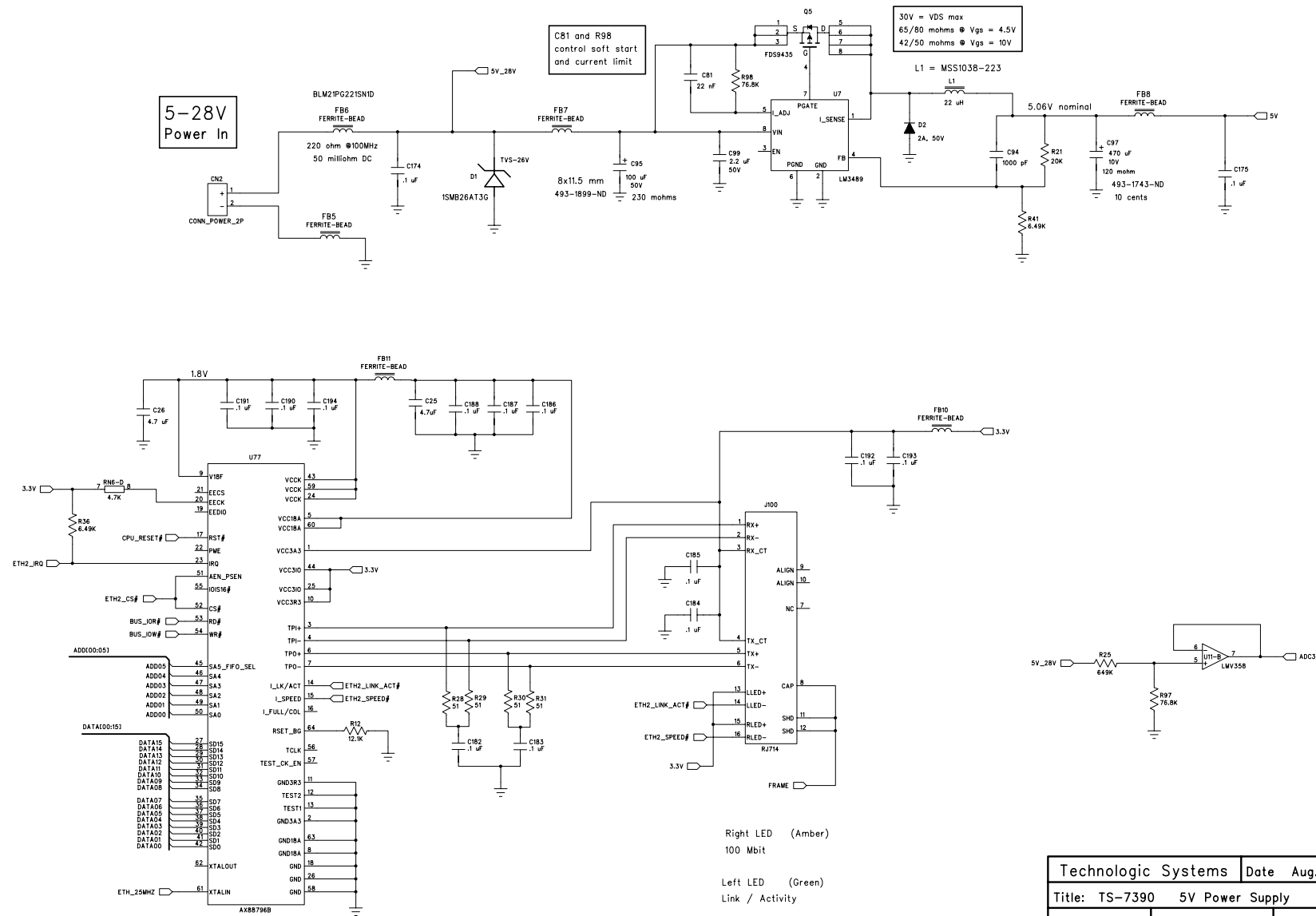


Expansion Bus

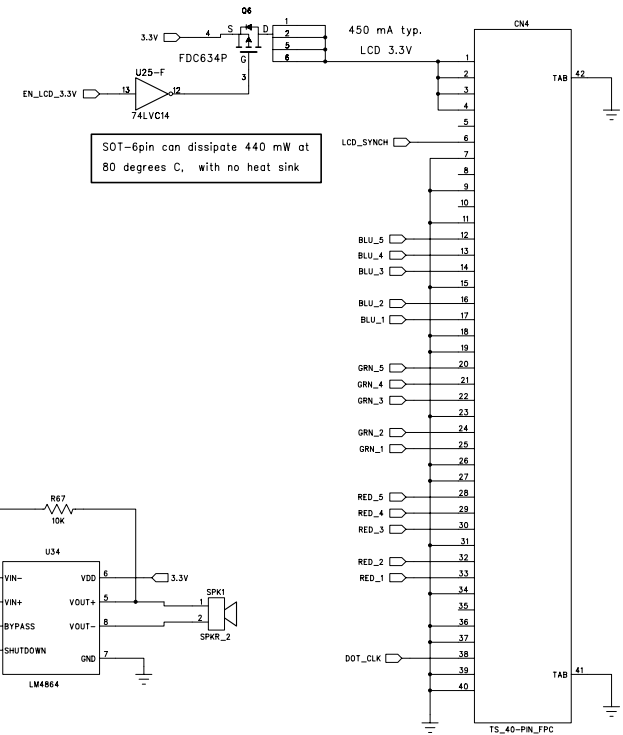
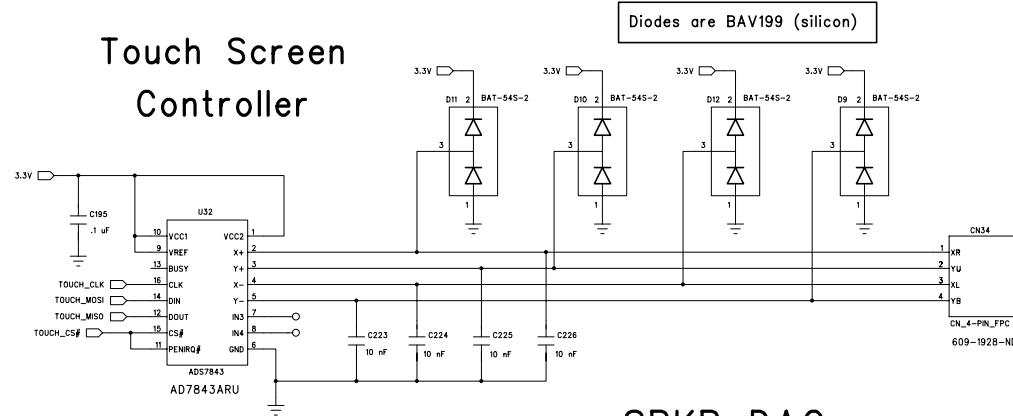


Technologic Systems	Date Aug. 11, 2008
Title: TS-7390	AUX Bus
Rev:	Designer
	Sheet 6 of 8

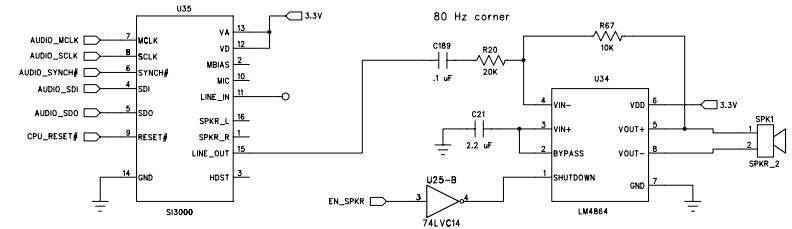
Hysteretic Switching Power Supply 5V @ (2.5 Amps)



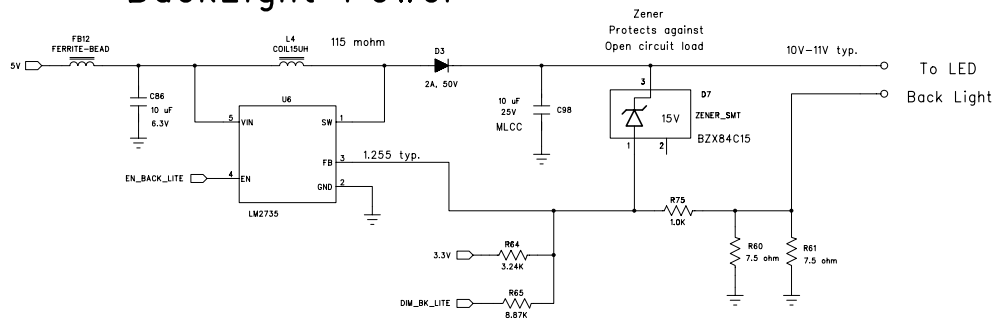
Touch Screen Controller



SPKR DAC



BackLight Power



87% typ. eff. at 200 mA load (12V out) per data sheet

744 mV is high setting (198 mA)
333 mV is low setting (88 mA)

200 mA is maximum continuous that LED BackLight is rated at.

Technologic Systems	Date Aug. 11, 2008
Title: TS-7390 LCD, BackLight, Touch, SPKR	
Rev:	Designer
	Sheet 8 of 8