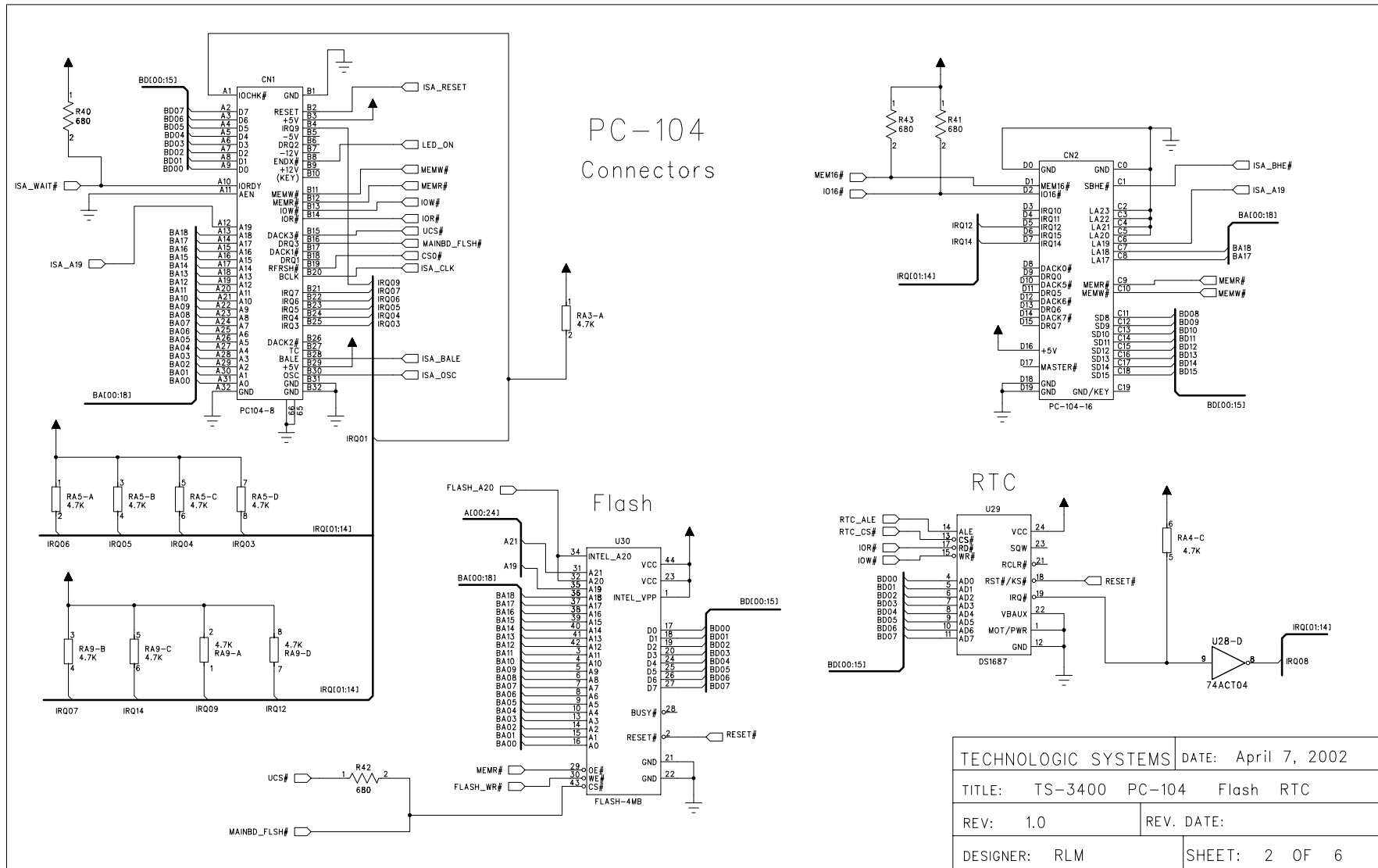
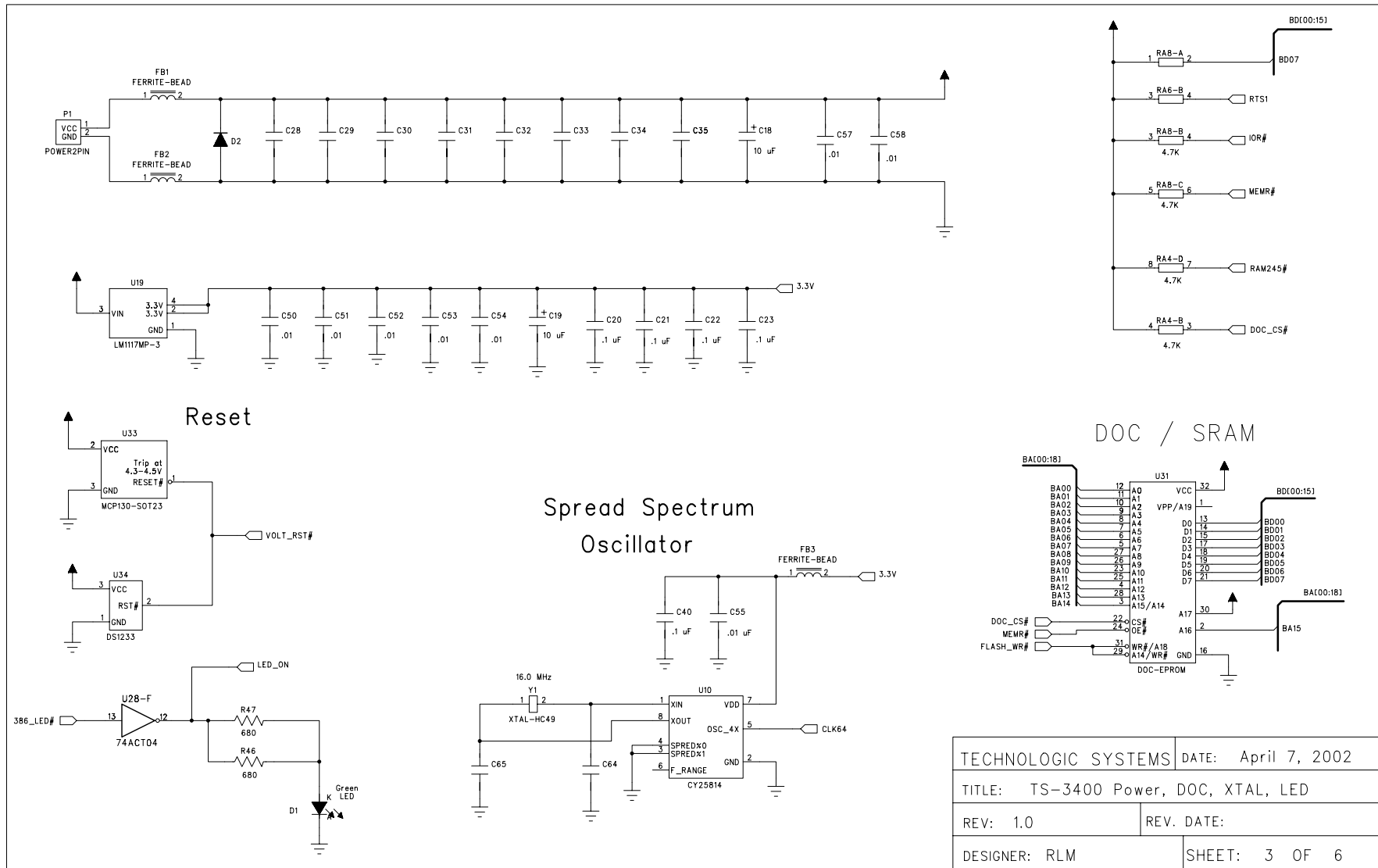
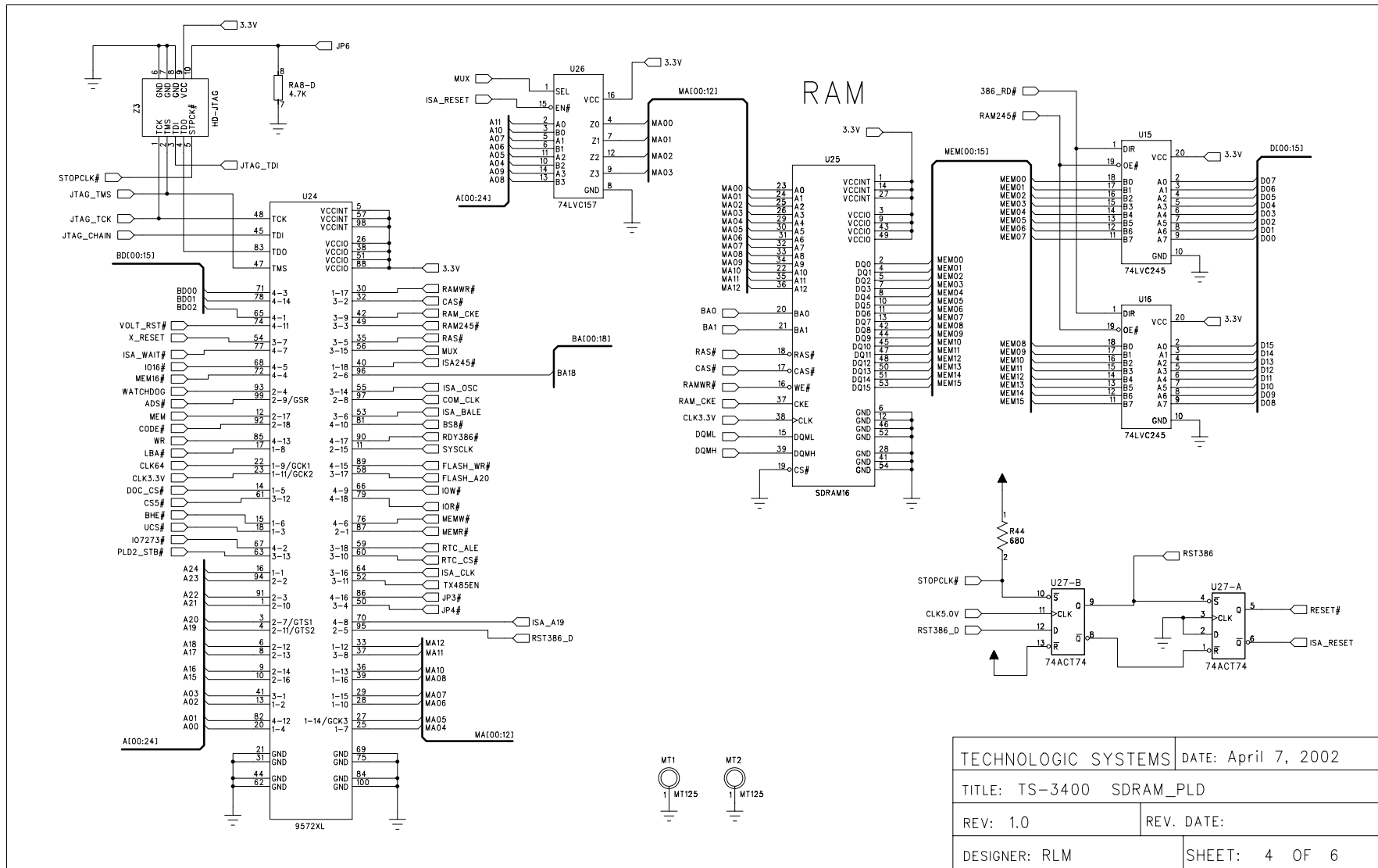


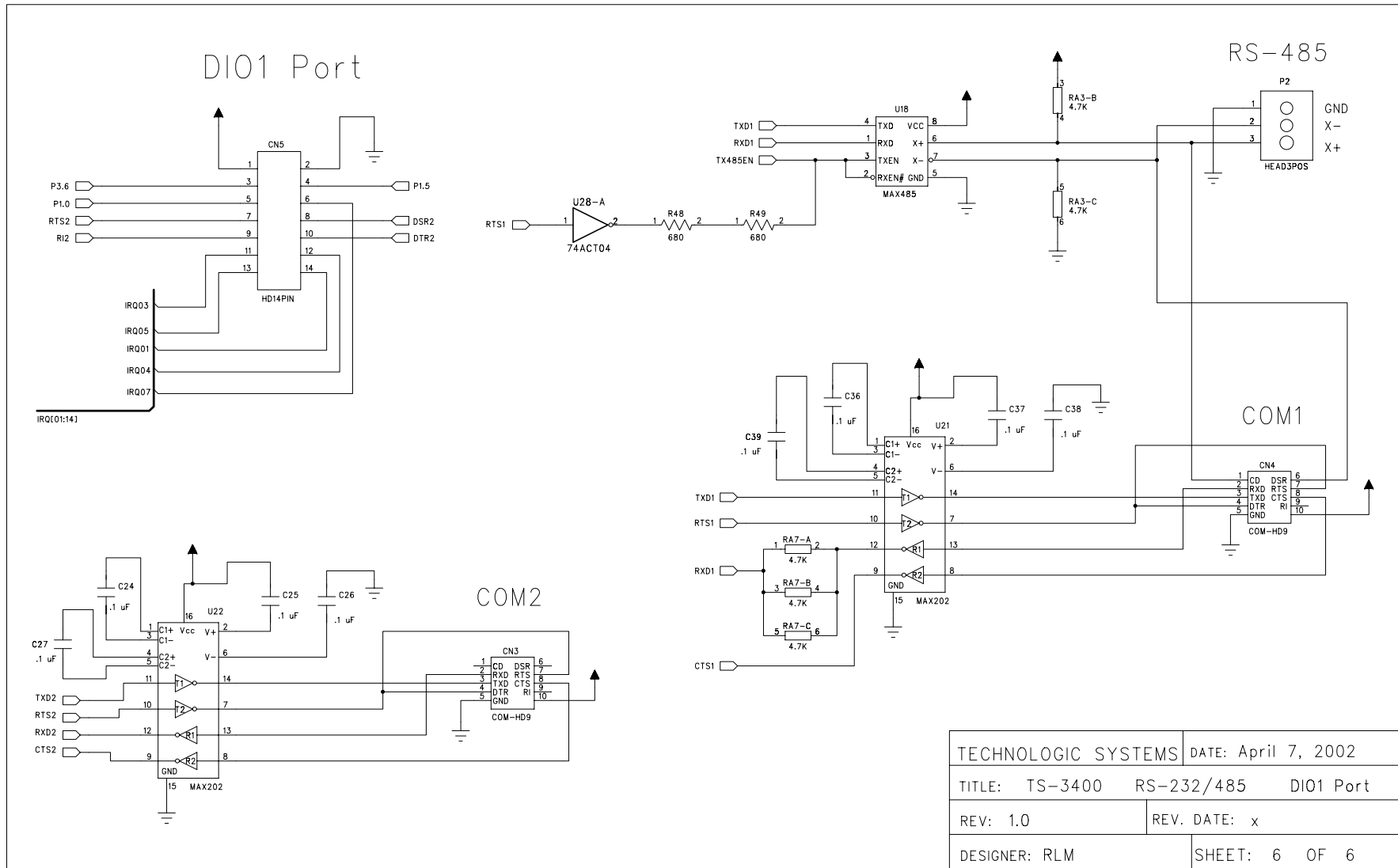
TECHNOLOGIC SYSTEMS	DATE: April 7, 2002
TITLE: TS-3400 386EX Clock Gen	
REV: 1.0	REV. DATE:
DESIGNER: RLM	SHEET: 1 OF 6



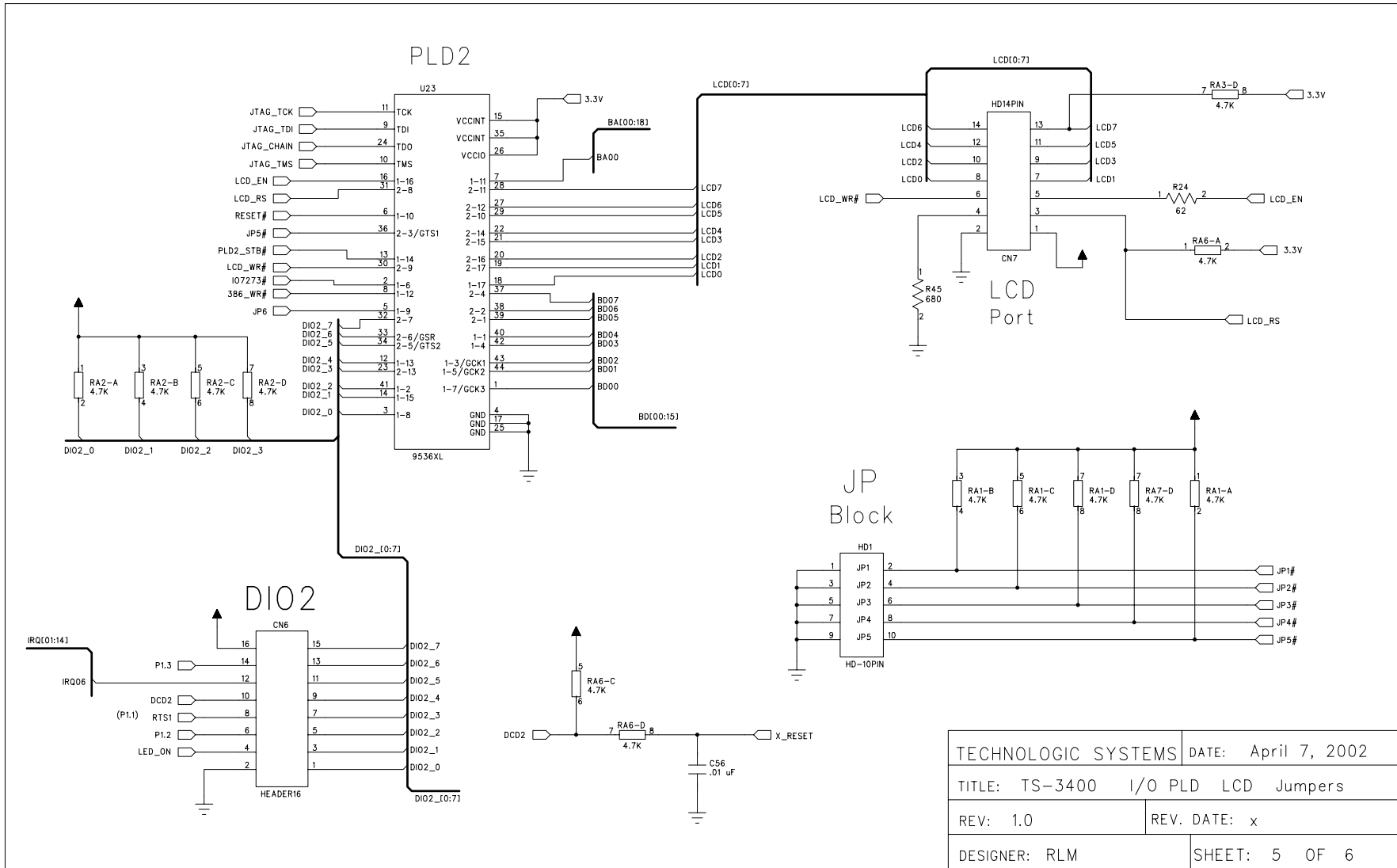




TECHNOLOGIC SYSTEMS	DATE: April 7, 2002
TITLE: TS-3400 SDRAM_PLD	
REV: 1.0	REV. DATE:
DESIGNER: RLM	SHEET: 4 OF 6



TECHNOLOGIC SYSTEMS	DATE: April 7, 2002
TITLE: TS-3400 RS-232/485 DIO1 Port	
REV: 1.0	REV. DATE: x
DESIGNER: RLM	SHEET: 6 OF 6



TECHNOLOGIC SYSTEMS		DATE: April 7, 2002	
TITLE: TS-3400 I/O PLD LCD Jumpers			
REV: 1.0		REV. DATE: x	
DESIGNER: RLM		SHEET: 5 OF 6	