

# AMD Elan 520

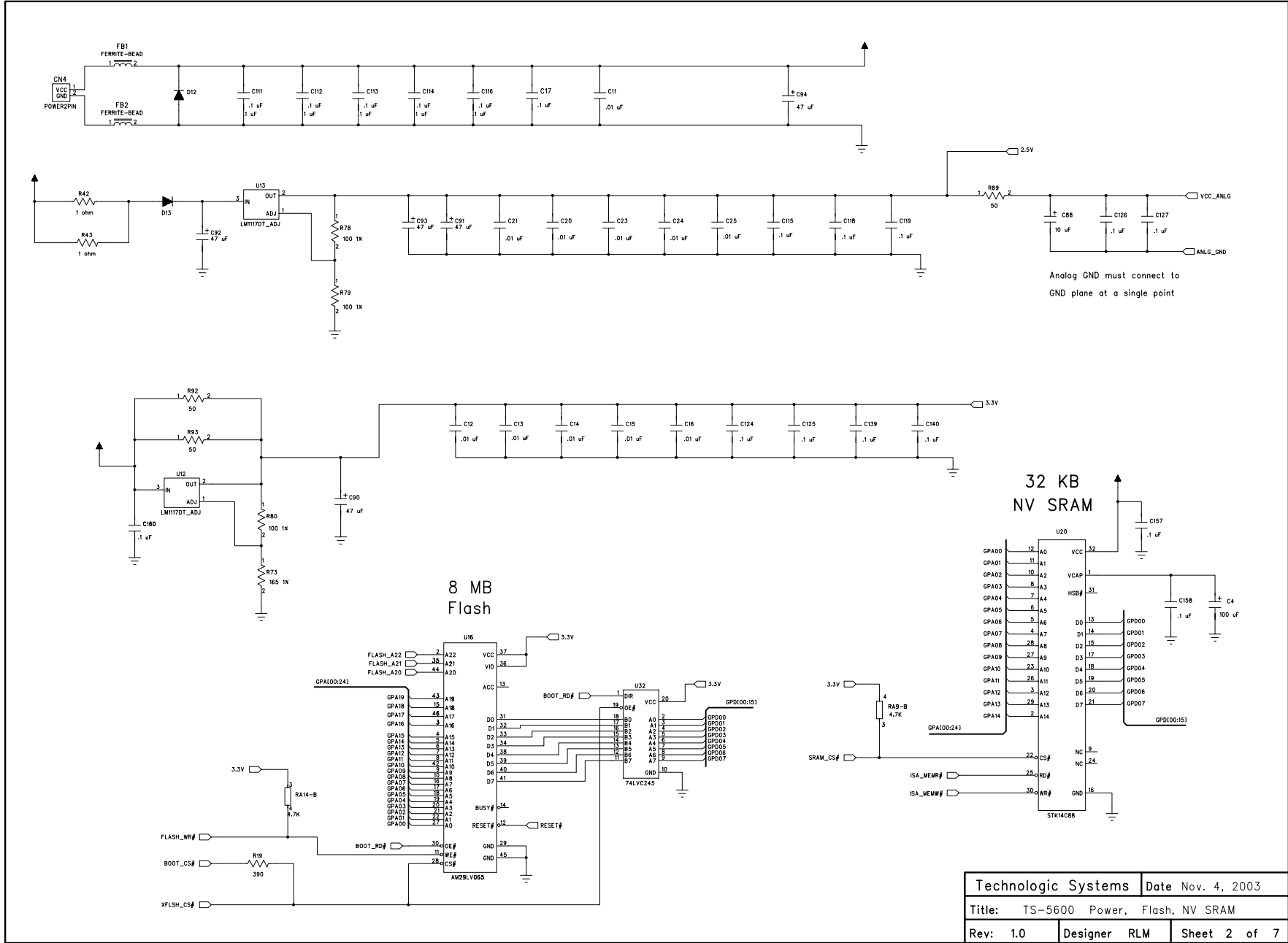
-- TMR2\_OUT must be low at reset

CS0# and CS7# are always outputs and are high at reset

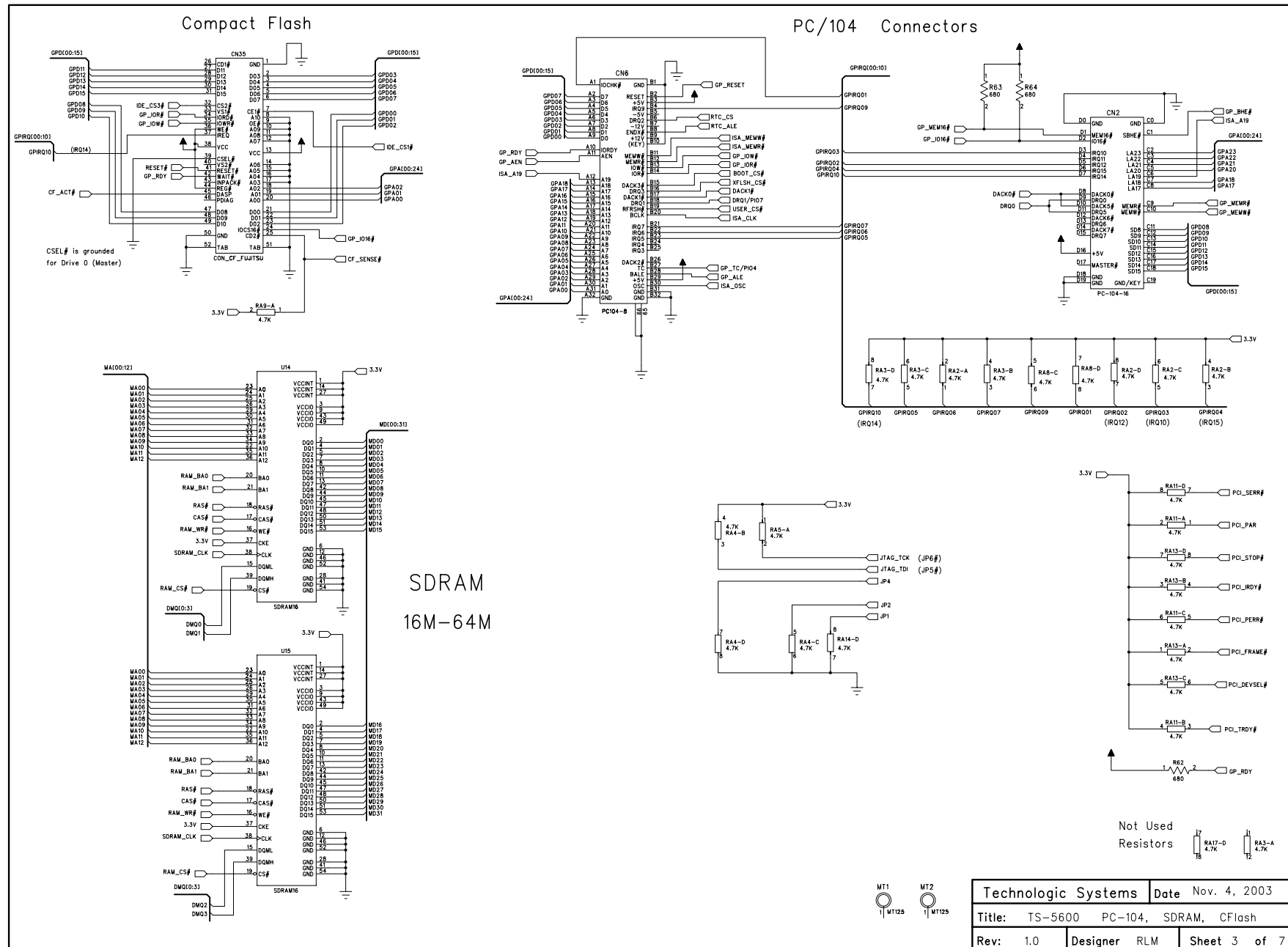
Grants are Outputs only

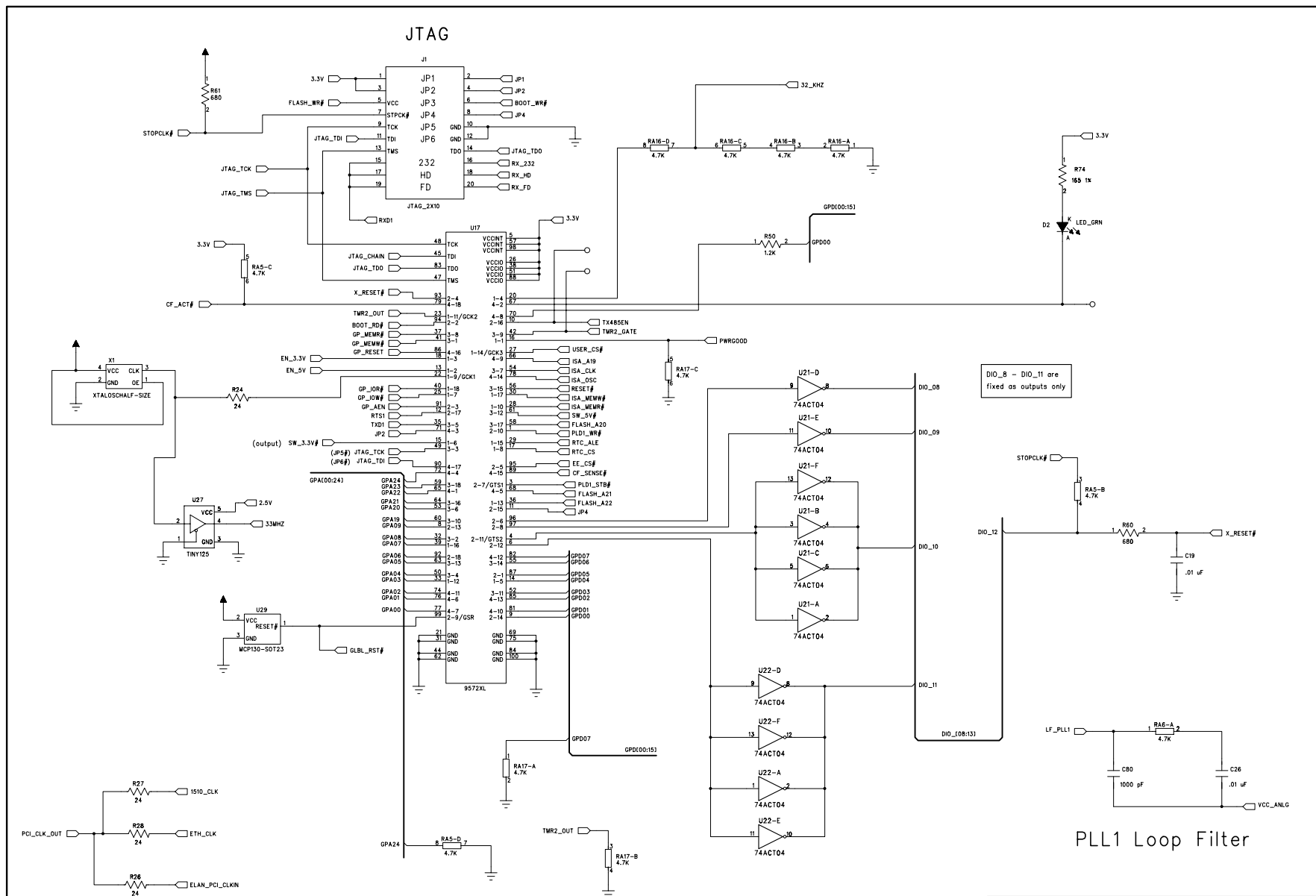
NC = IOWs  
Boot from 8-bit Flash on GP bus

Technologic Systems		Date Nov. 4, 2003	
Title: TS-5600 Elan 520			
Rev: 1.0	Designer RLM	Sheet 1 of 7	



Technologic Systems	Date Nov. 4, 2003
Title: TS-5600 Power, Flash, NV SRAM	
Rev: 1.0	Designer RLM Sheet 2 of 7

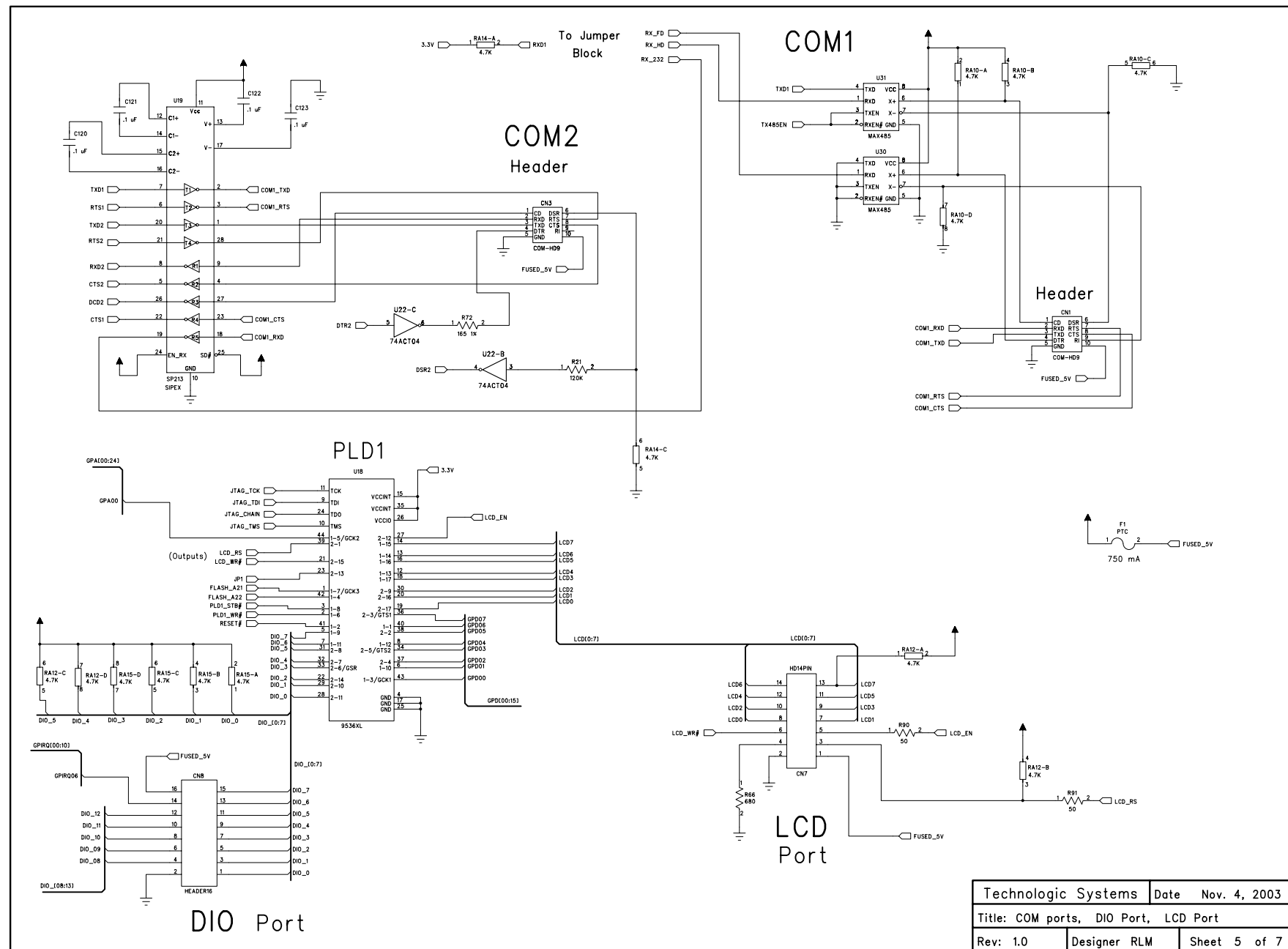




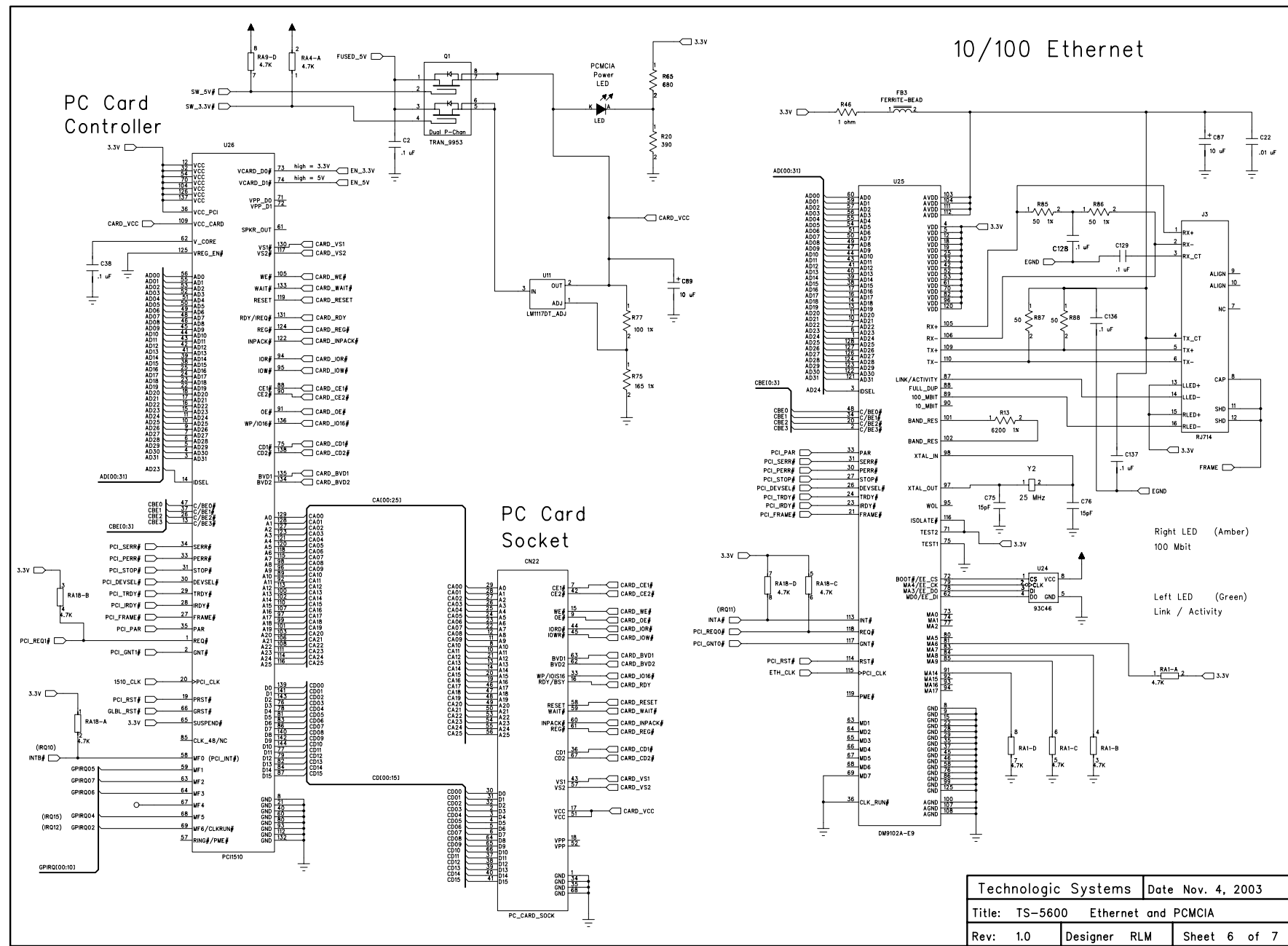
PCI Clock Buffer

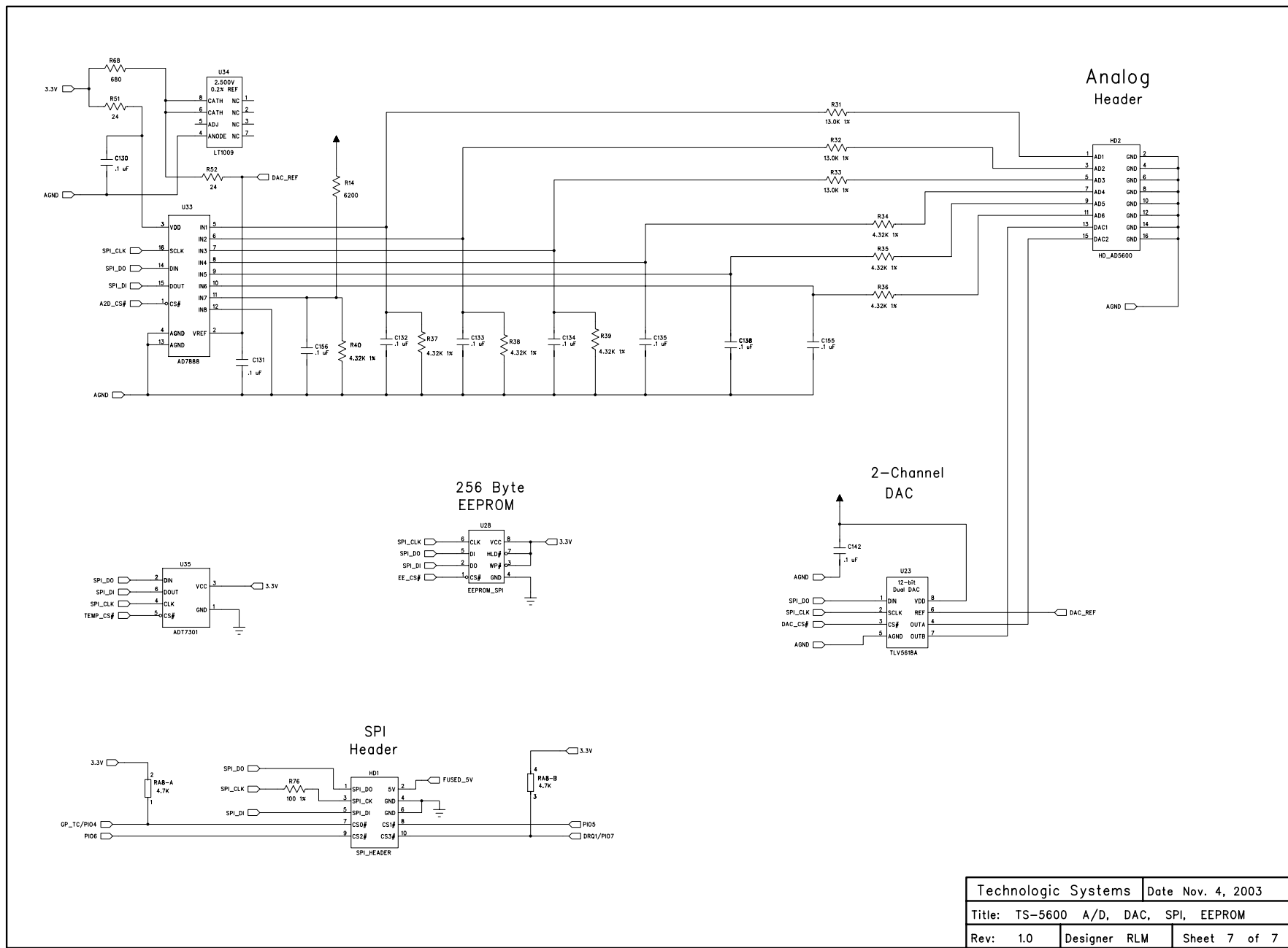
PLL1 Loop Filter

Technologic Systems	Date Nov. 4, 2003
Title: TS-5600 Main PLD	
Rev: 1.0	Designer RLM Sheet 4 of 7



Technologic Systems	Date	Nov. 4, 2003
Title: COM ports, DIO Port, LCD Port		
Rev: 1.0	Designer	RLM
		Sheet 5 of 7





Technologic Systems		Date Nov. 4, 2003	
Title: TS-5600 A/D, DAC, SPI, EEPROM			
Rev: 1.0	Designer RLM	Sheet 7 of 7	