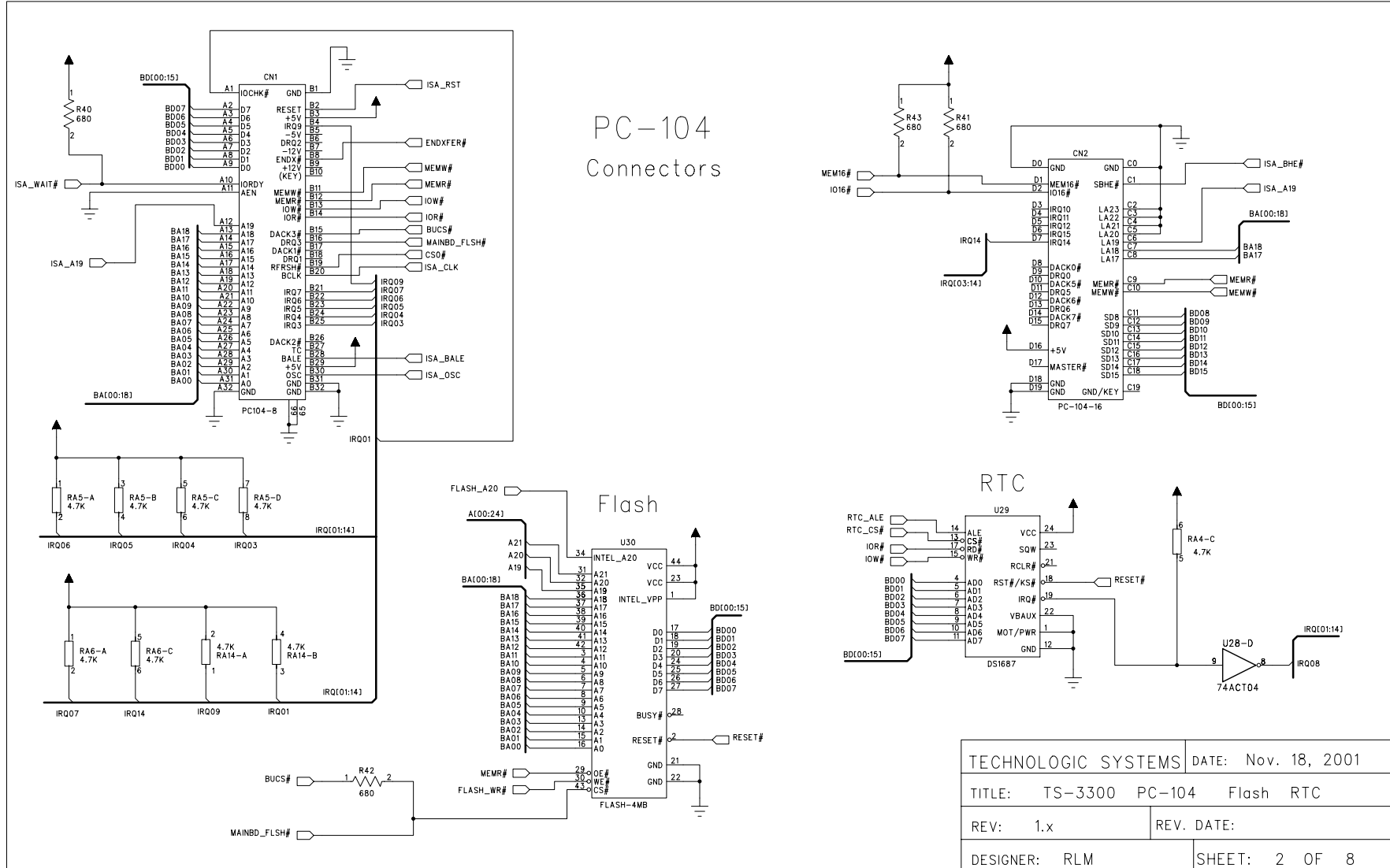
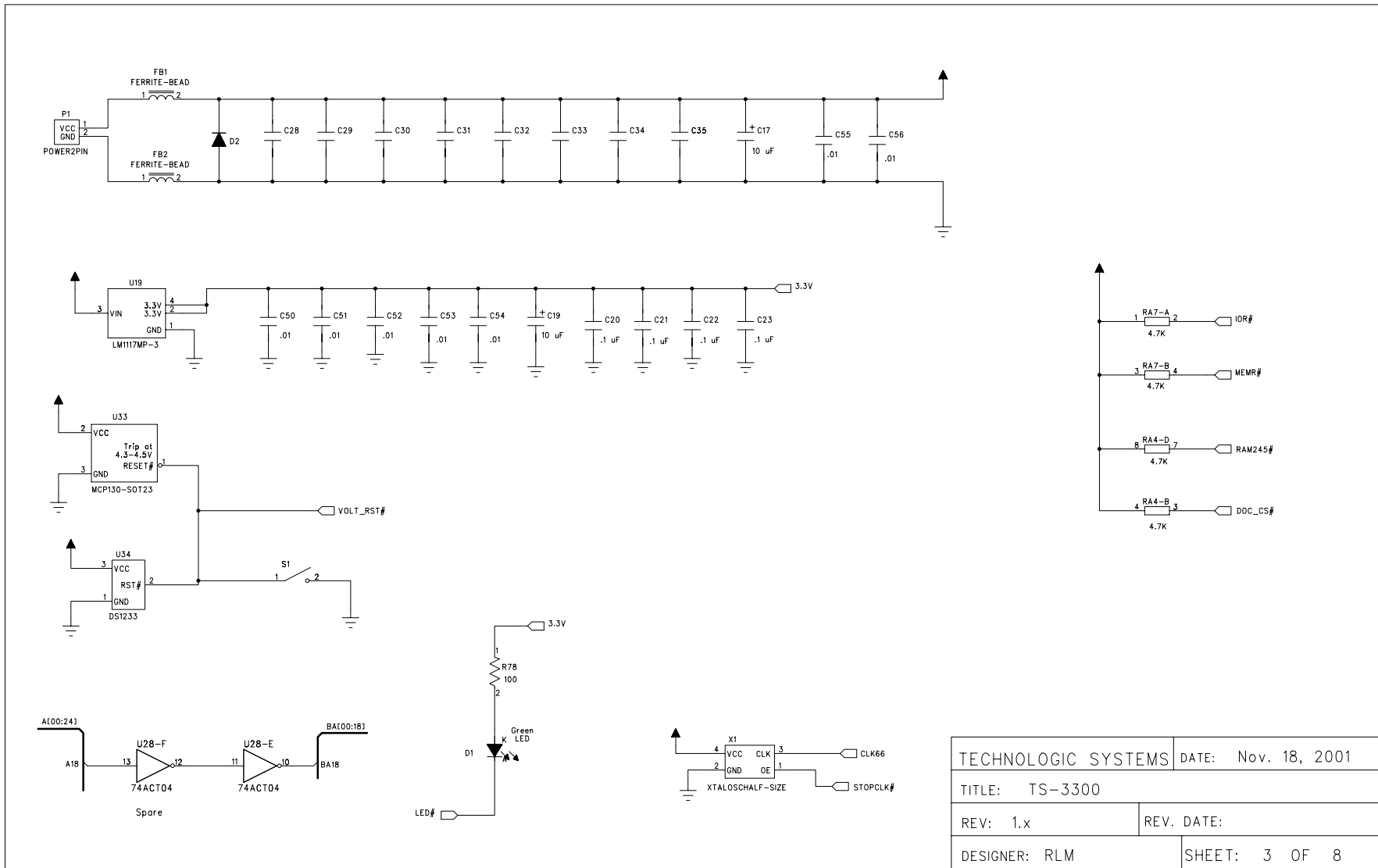


TECHNOLOGIC SYSTEMS	DATE: Nov. 18, 2001
TITLE: TS-3300 386EX Clock Gen	
REV: 1.x	REV. DATE:
DESIGNER: RLM	SHEET: 1 OF 8

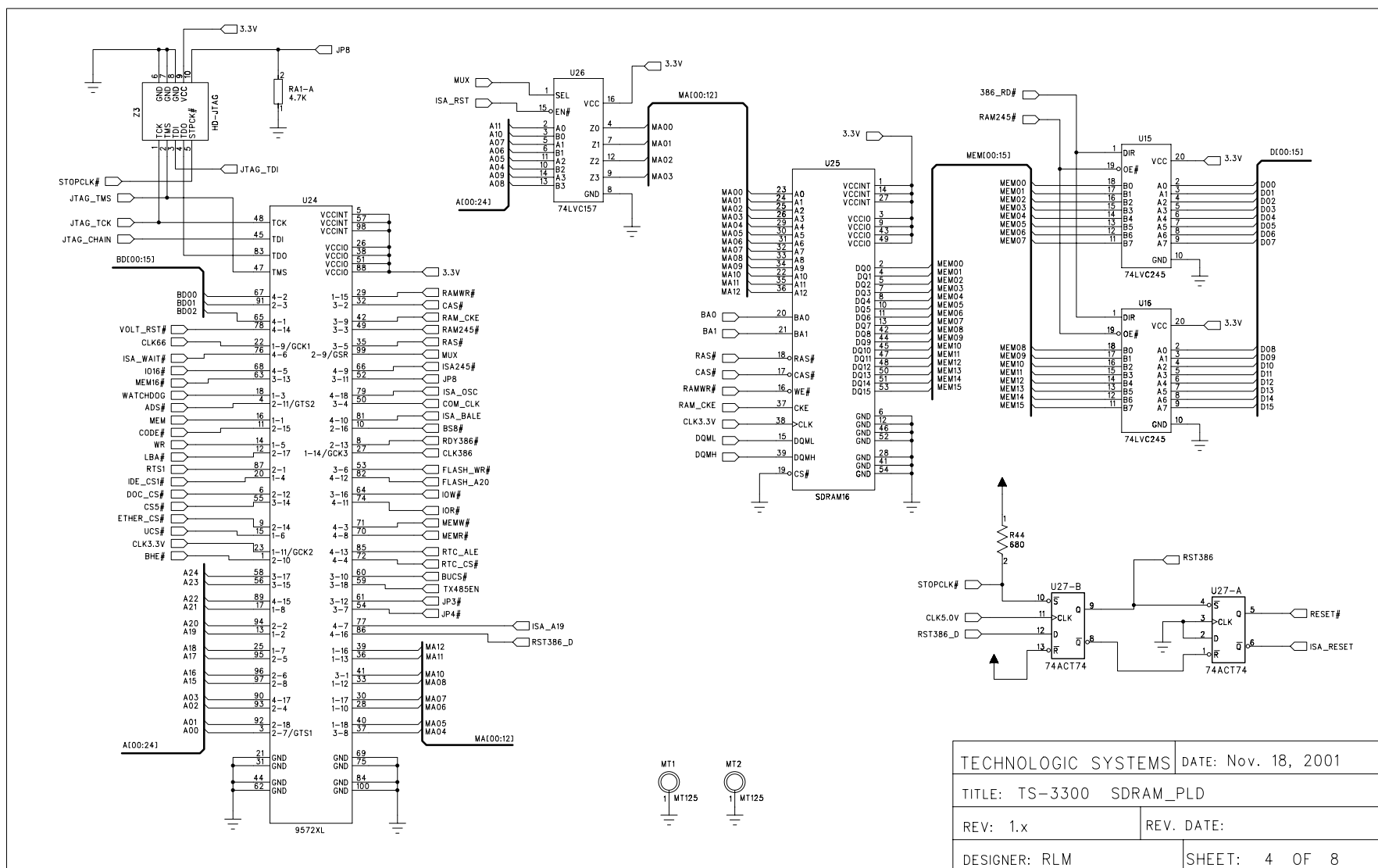


PC-104 Connectors

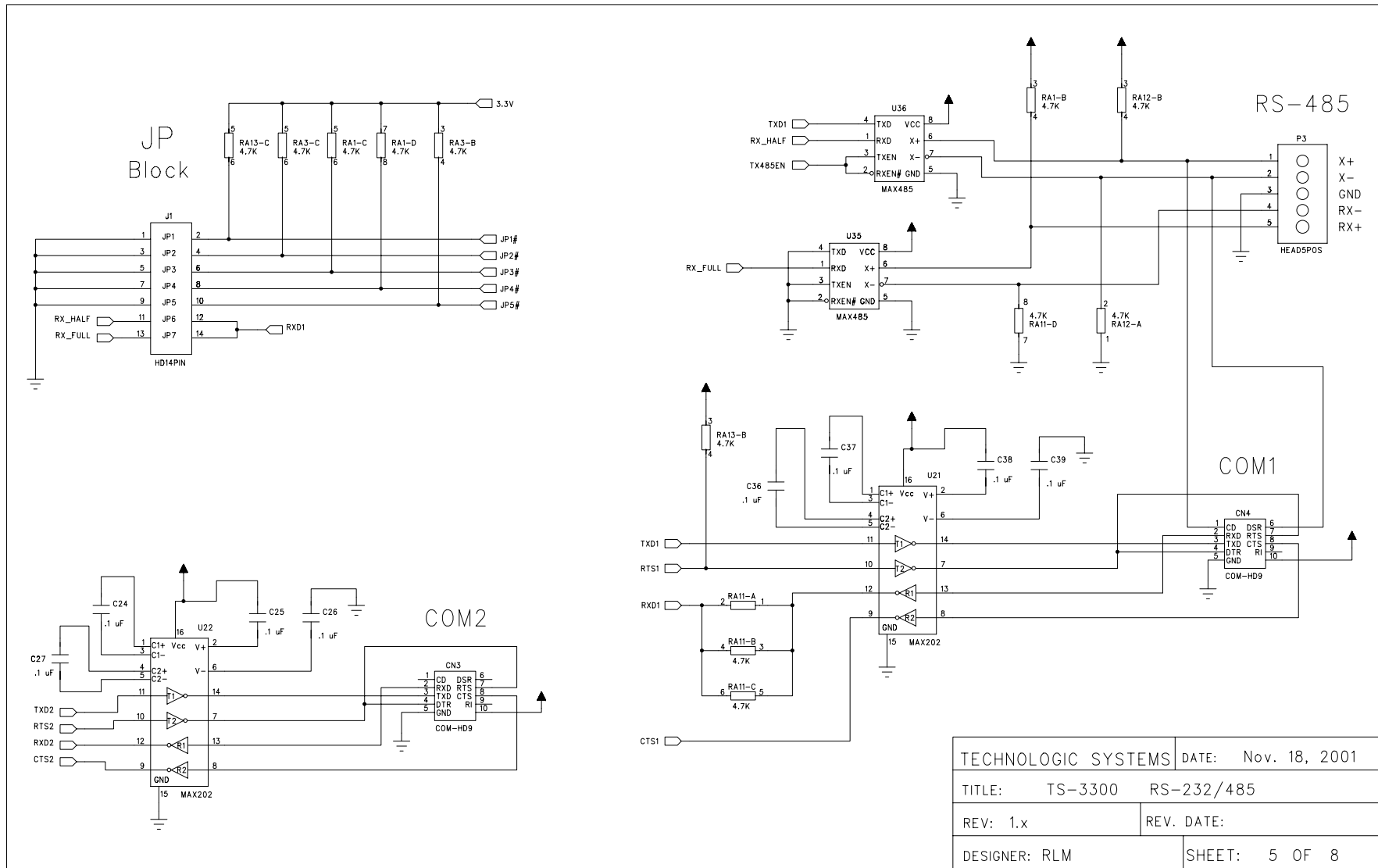
TECHNOLOGIC SYSTEMS	DATE: Nov. 18, 2001
TITLE: TS-3300 PC-104 Flash RTC	
REV: 1.x	REV. DATE:
DESIGNER: RLM	SHEET: 2 OF 8



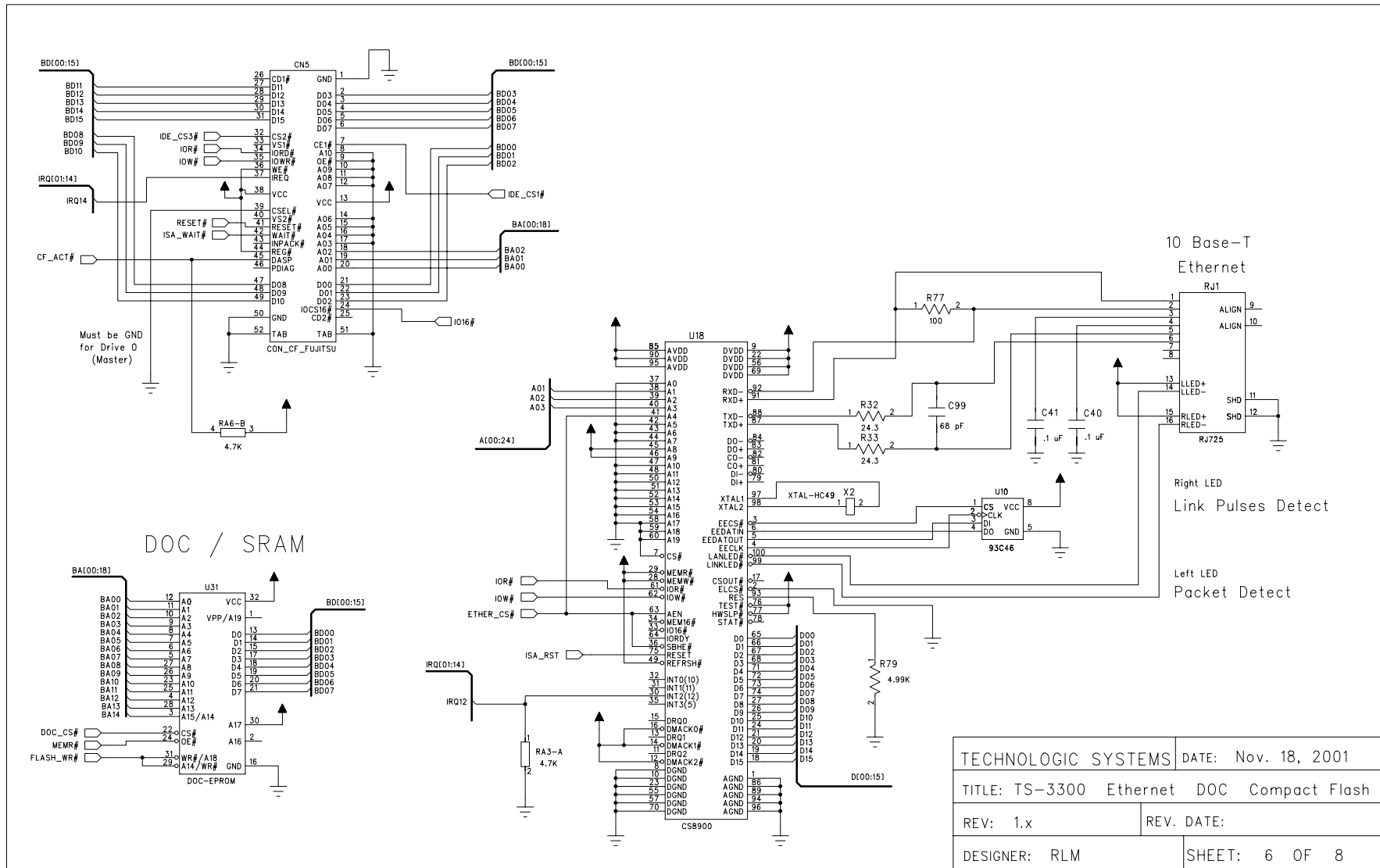
TECHNOLOGIC SYSTEMS	DATE: Nov. 18, 2001
TITLE: TS-3300	
REV: 1.x	REV. DATE:
DESIGNER: RLM	SHEET: 3 OF 8



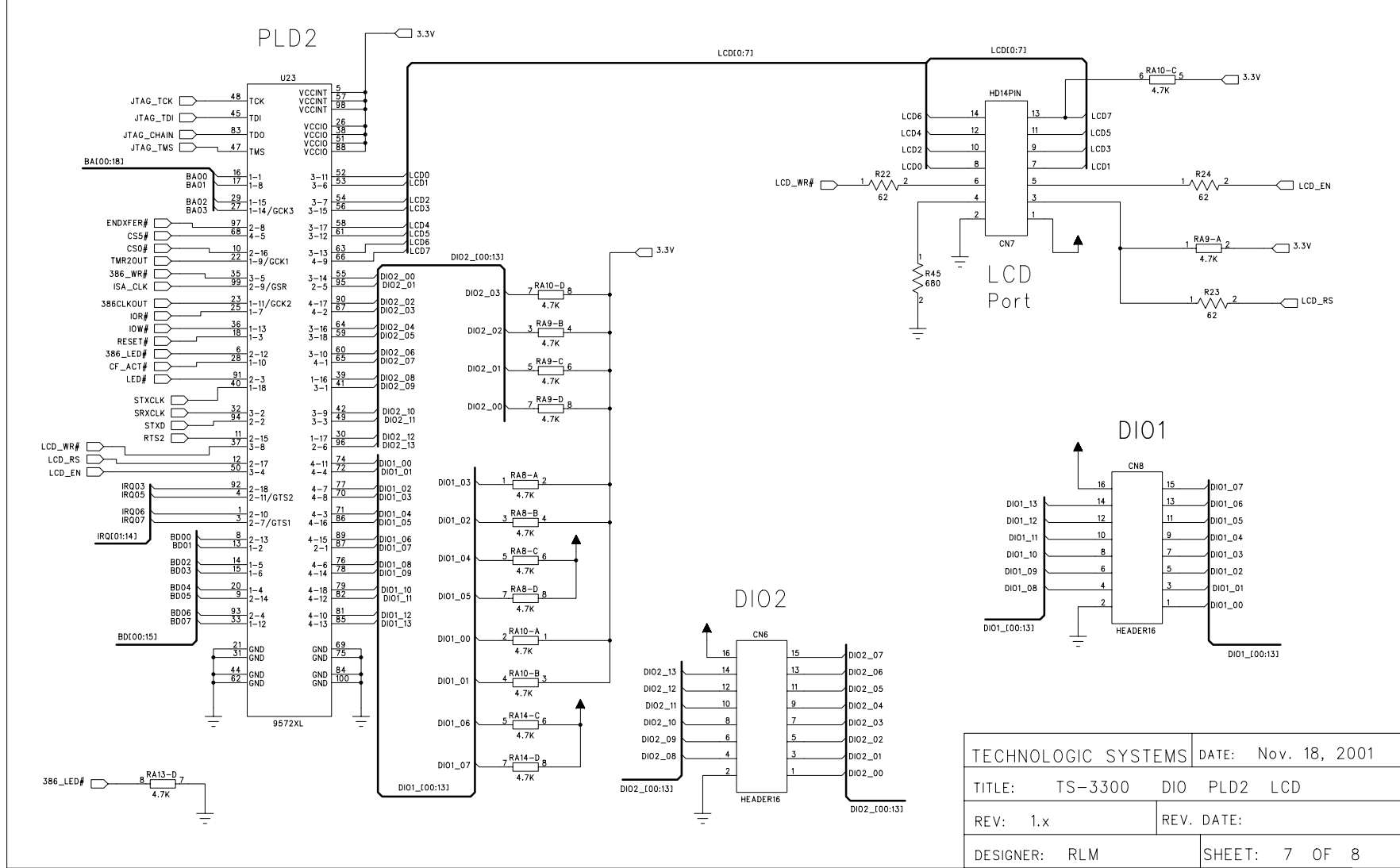
TECHNOLOGIC SYSTEMS	DATE: Nov. 18, 2001
TITLE: TS-3300 SDRAM_PLD	
REV: 1.x	REV. DATE:
DESIGNER: RLM	SHEET: 4 OF 8



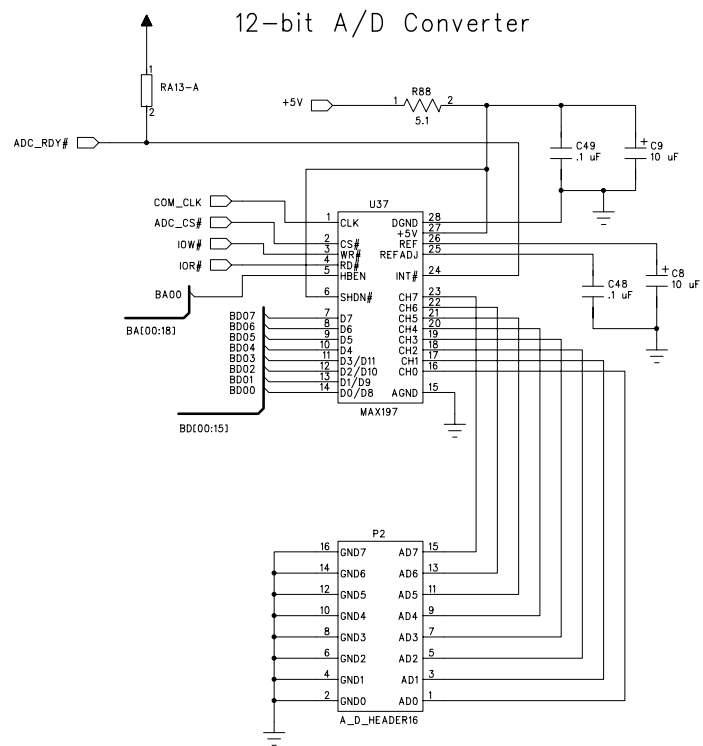
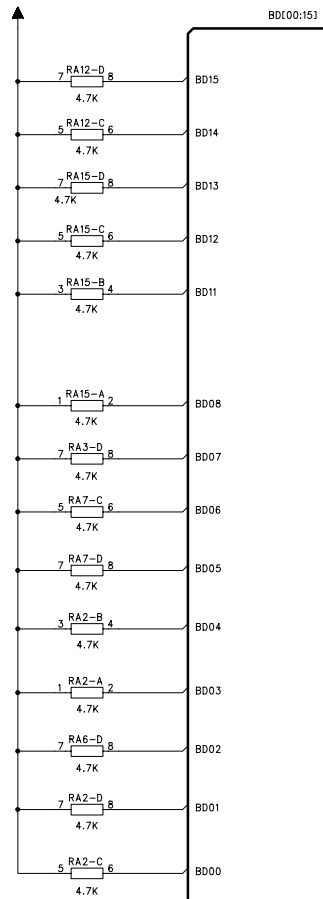
TECHNOLOGIC SYSTEMS	DATE: Nov. 18, 2001
TITLE: TS-3300 RS-232/485	
REV: 1.x	REV. DATE:
DESIGNER: RLM	SHEET: 5 OF 8



TECHNOLOGIC SYSTEMS		DATE: Nov. 18, 2001	
TITLE: TS-3300 Ethernet DOC Compact Flash			
REV: 1.x		REV. DATE:	
DESIGNER: RLM		SHEET: 6 OF 8	



TECHNOLOGIC SYSTEMS		DATE: Nov. 18, 2001	
TITLE: TS-3300 DIO PLD2 LCD			
REV: 1.x		REV. DATE:	
DESIGNER: RLM		SHEET: 7 OF 8	



TECHNOLOGIC SYSTEMS		DATE: Nov. 18, 2001
TITLE: TS-3300 A/D converter		
REV: 1.0x	REV. DATE:	
DESIGNER: RLM	SHEET: 8 OF 8	