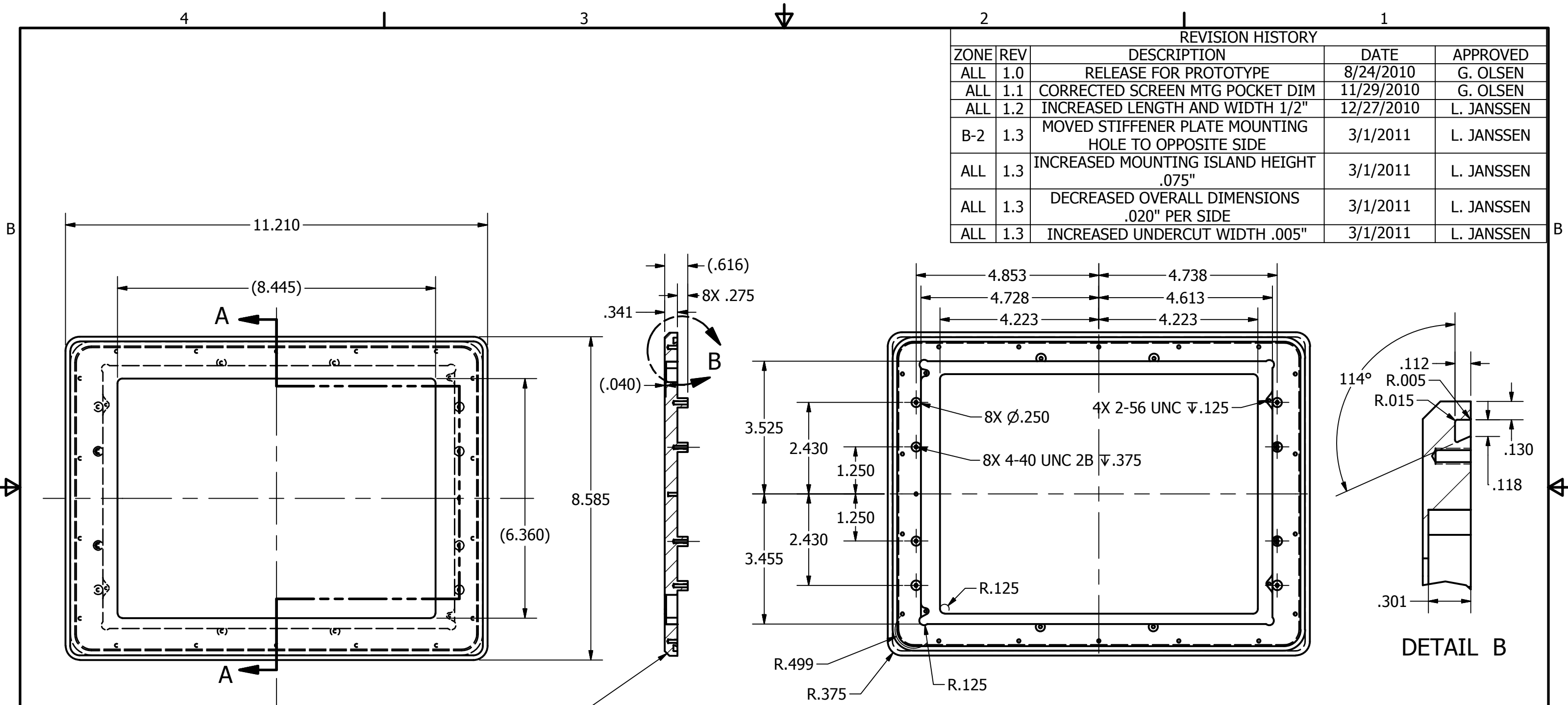


REVISION HISTORY				
ZONE	REV	DESCRIPTION	DATE	APPROVED
ALL	1.0	RELEASE FOR PROTOTYPE	8/24/2010	G. OLSEN
ALL	1.1	CORRECTED SCREEN MTG POCKET DIM	11/29/2010	G. OLSEN
ALL	1.2	INCREASED LENGTH AND WIDTH 1/2"	12/27/2010	L. JANSSEN
B-2	1.3	MOVED STIFFENER PLATE MOUNTING HOLE TO OPPOSITE SIDE	3/1/2011	L. JANSSEN
ALL	1.3	INCREASED MOUNTING ISLAND HEIGHT .075"	3/1/2011	L. JANSSEN
ALL	1.3	DECREASED OVERALL DIMENSIONS .020" PER SIDE	3/1/2011	L. JANSSEN
ALL	1.3	INCREASED UNDERCUT WIDTH .005"	3/1/2011	L. JANSSEN



.125 X 45° CHAMFER AROUND PERIMETER SECTION A-A

- NOTES:
- MATERIAL: 6061-T6 ALUMINUM
  - FINISH: TBD

DRAWN greg	8/24/2010	<b>NET FLOW RESEARCH, LLC</b>		
CHECKED		TITLE		
QA		<b>BEZEL, 7 X 9 TOUCHSCREEN</b>		
MFG				
APPROVED		SIZE <b>B</b>	DWG NO <b>821165</b>	REV <b>1.3</b>
		SCALE	SHEET 1 OF 4	