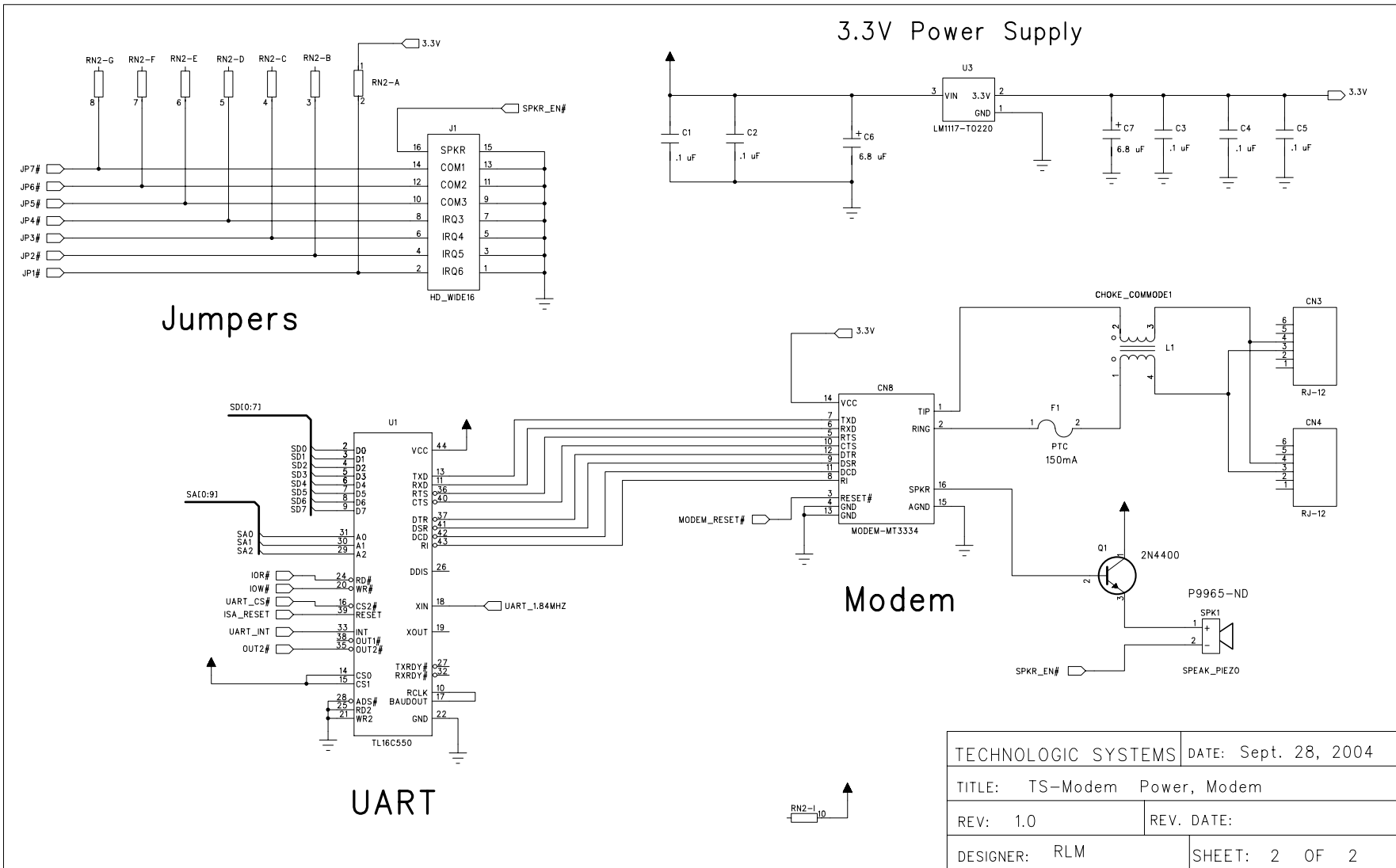


TECHNOLOGIC SYSTEMS	DATE: Sept. 28, 2004
TITLE: TS-Modem PC/104 PLD	
REV: 1.0	REV. DATE:
DESIGNER: RLM	SHEET: 1 OF 2



TECHNOLOGIC SYSTEMS		DATE: Sept. 28, 2004	
TITLE: TS-Modem Power, Modem			
REV: 1.0		REV. DATE:	
DESIGNER: RLM		SHEET: 2 OF 2	