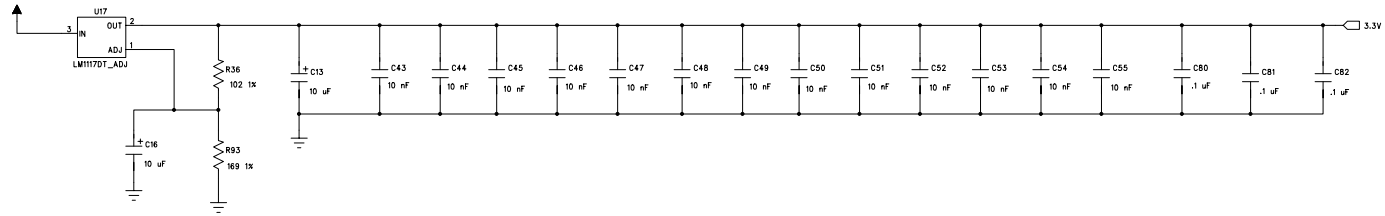
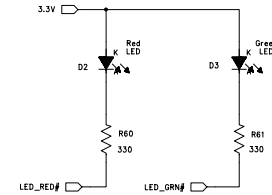
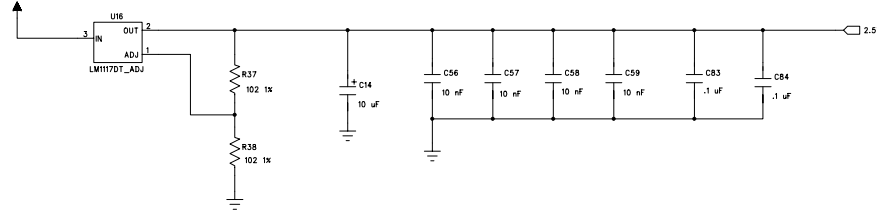


3.3V Power Supply

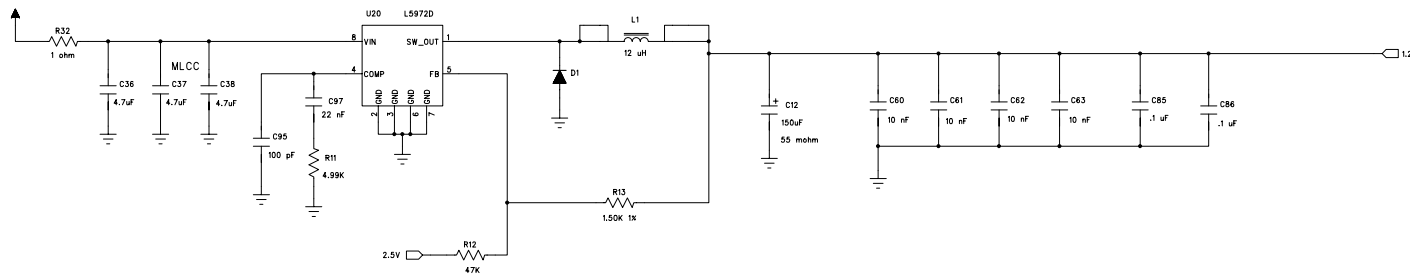


2.5V Power Supply

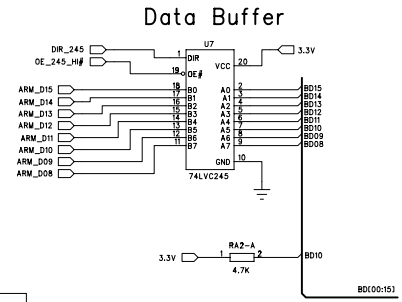
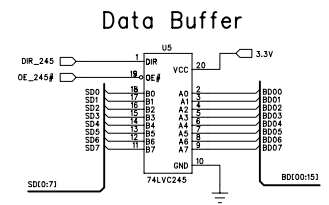
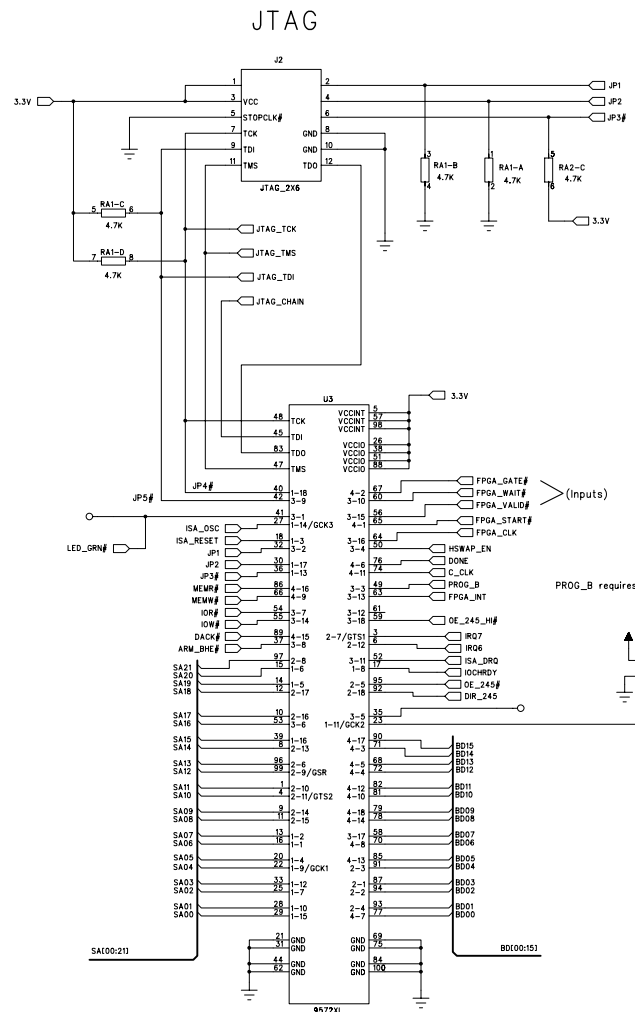
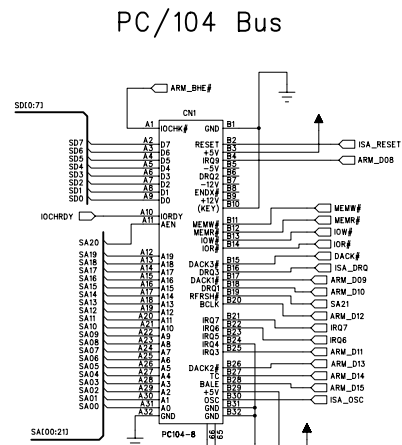


Switching Regulator

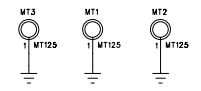
1.2V Power Supply

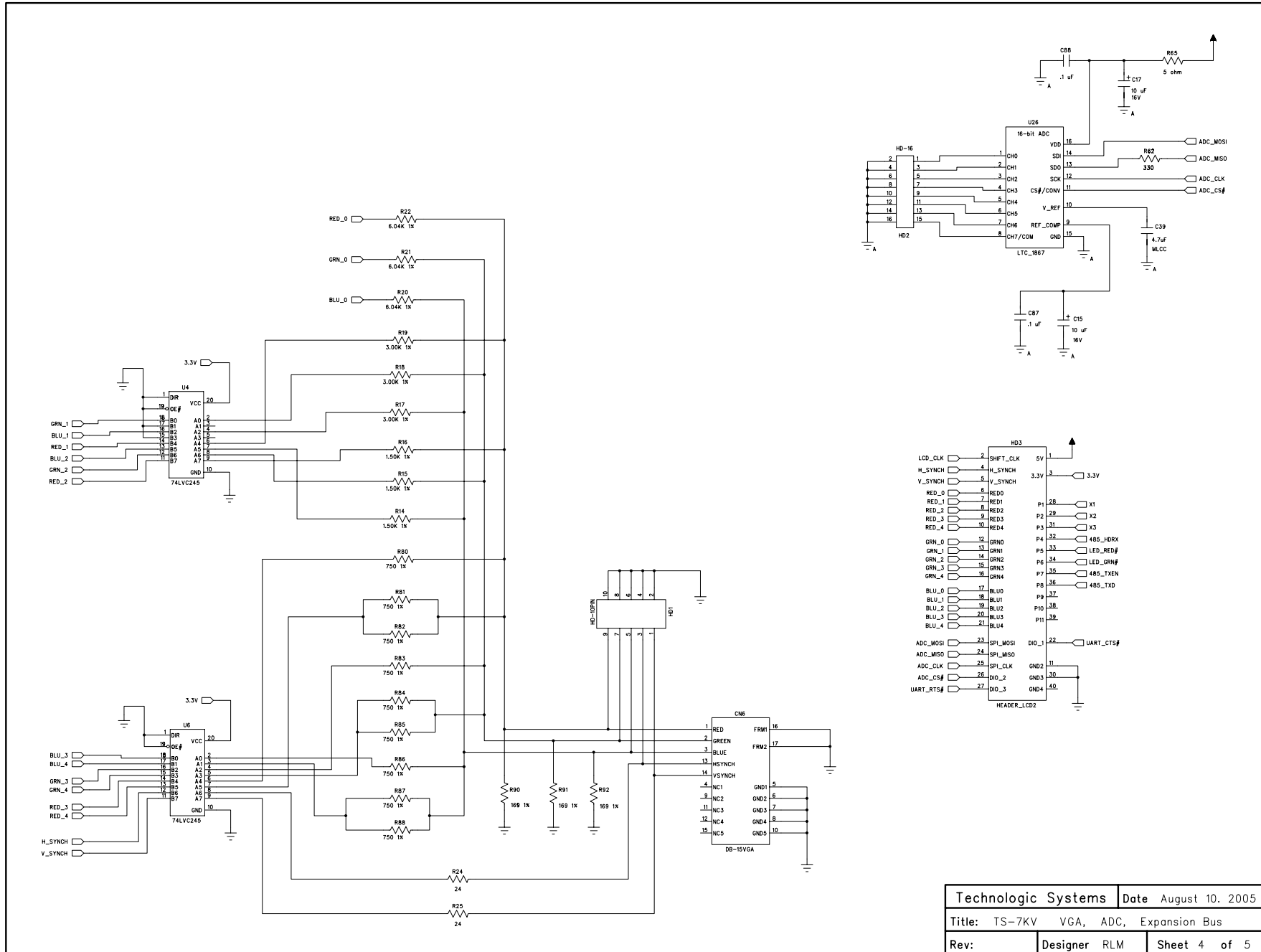


Technologic Systems	Date August 10, 2005
Title: TS-7KV Power Supplies, LEDs	
Rev:	Designer RLM Sheet 3 of 5

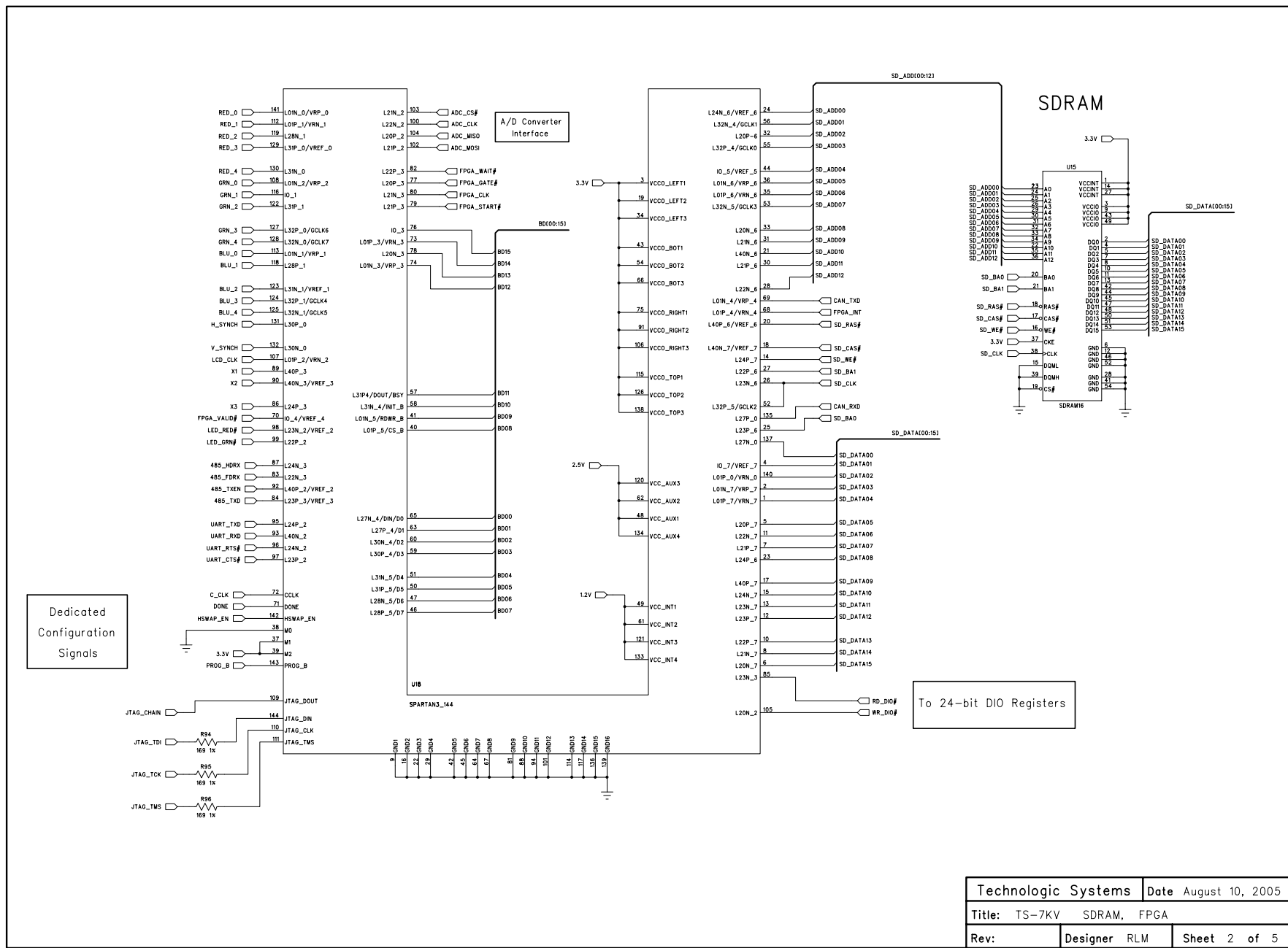


BDD-BD7 must connect to FPGA D0-D7
 BDD8 must connect to FPGA CS_B
 BDD9 must connect to FPGA RDWR_B
 BDD10 must connect to FPGA INIT_B
 BDD11 must connect to FPGA BUSY/DOUT
 INIT_B is open-drain and requires a PU Resistor



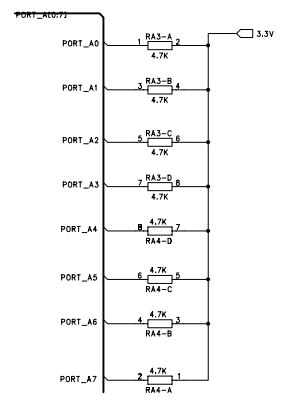
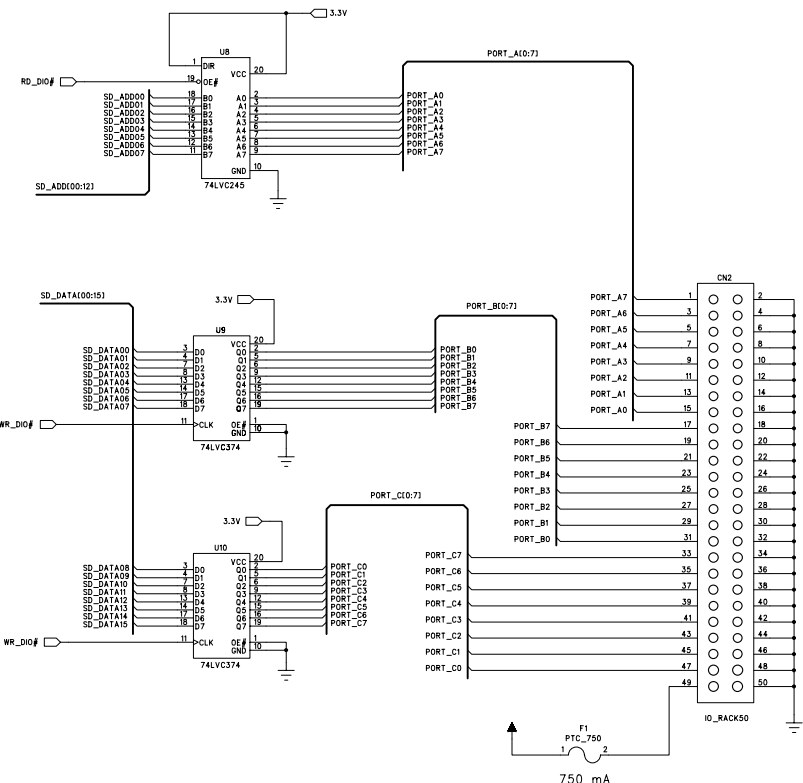
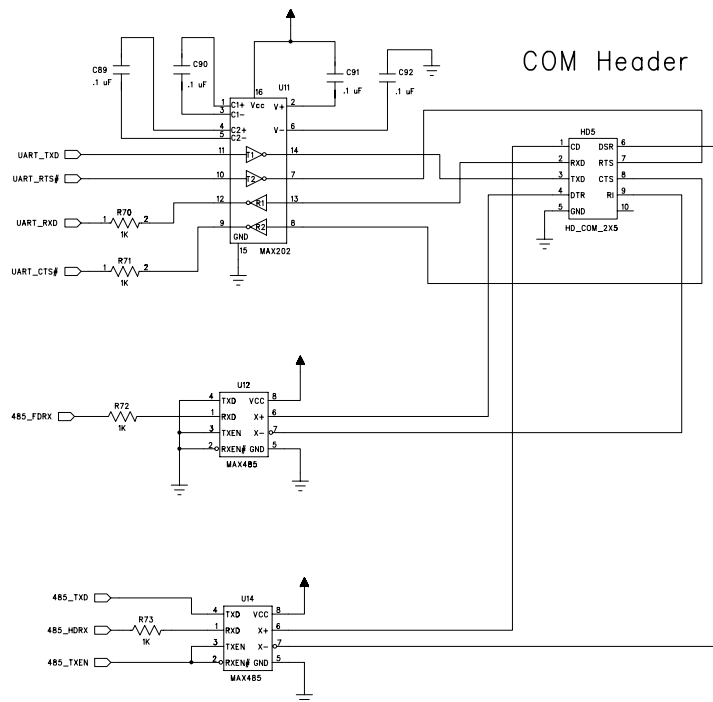


Technologic Systems	Date August 10, 2005
Title: TS-7KV VGA, ADC, Expansion Bus	
Rev:	Designer RLM Sheet 4 of 5



Dedicated Configuration Signals

To 24-bit DIO Registers



Technologic Systems	Date August 10, 2005
Title: TS-7KV DIO, CAN, COM	
Rev:	Designer RLM Sheet 5 of 5