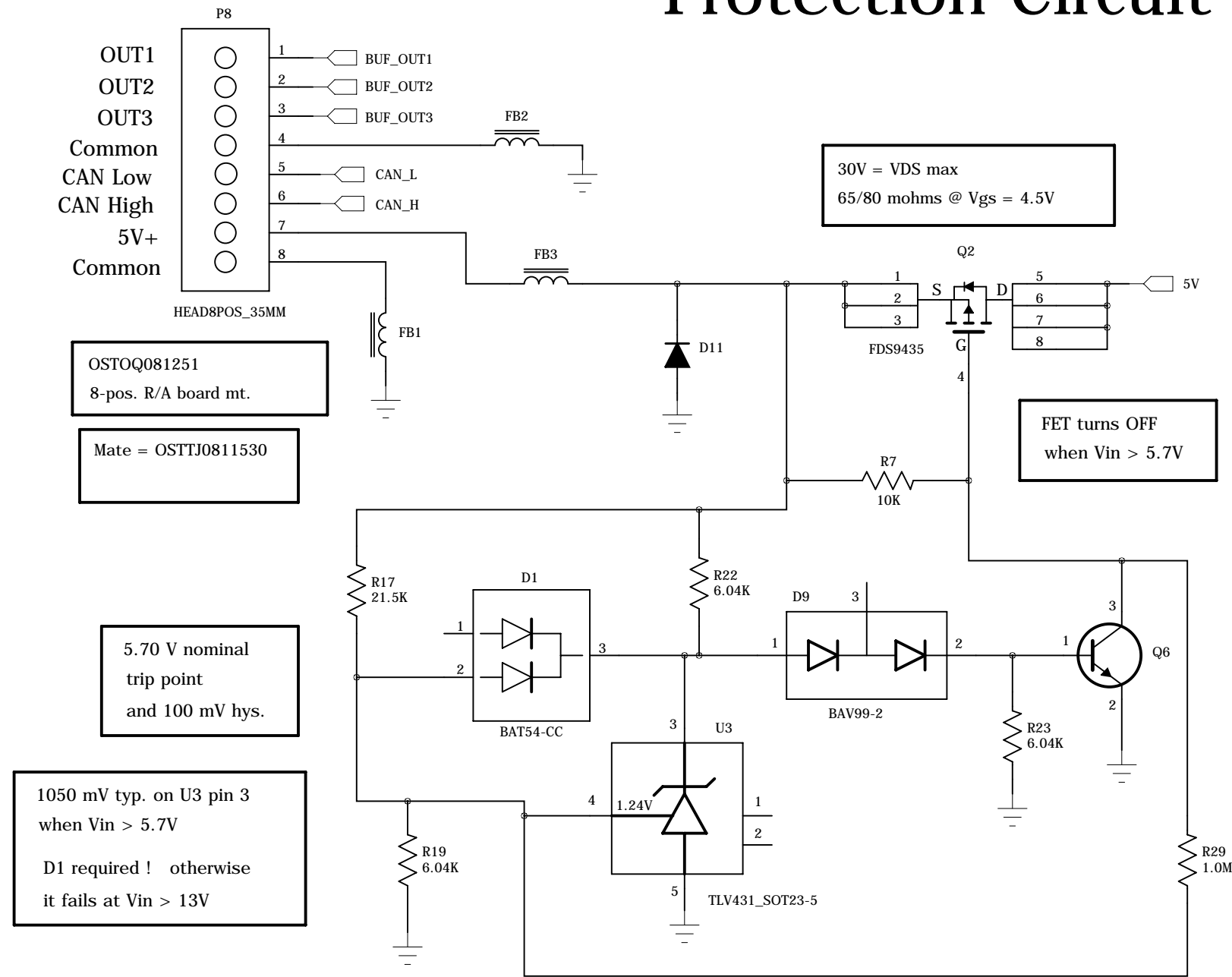


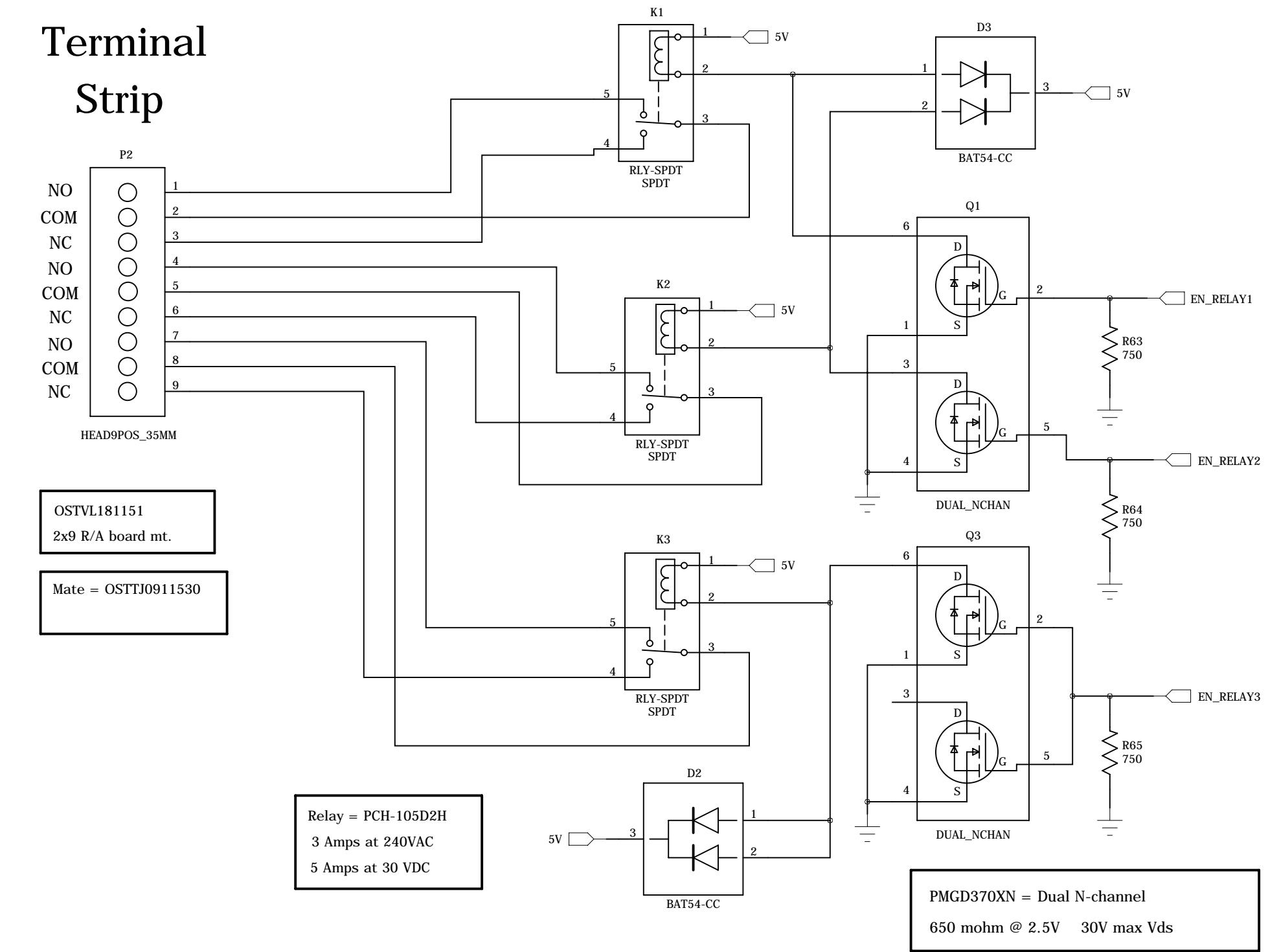
# 8 Position Terminal Strip

# Over Voltage Protection Circuit



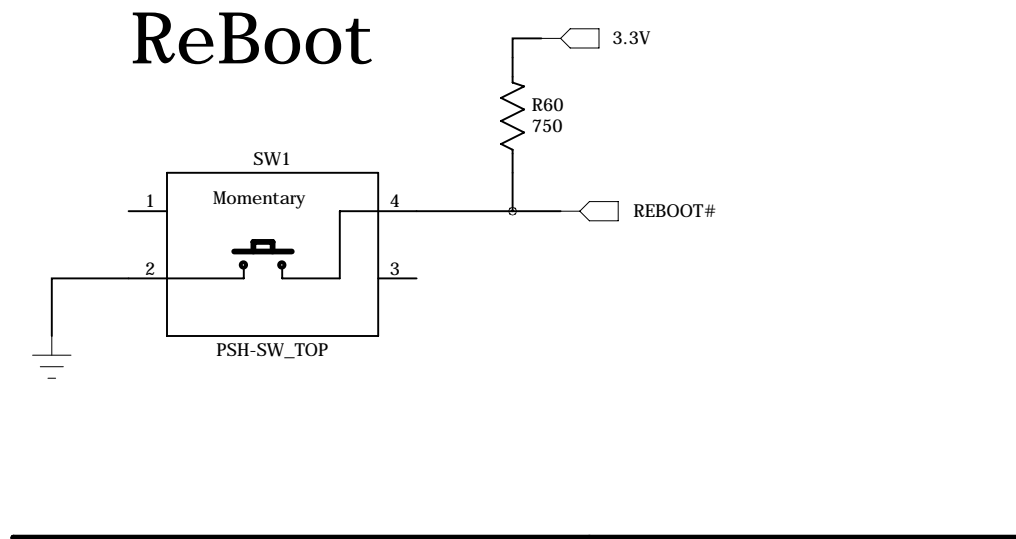
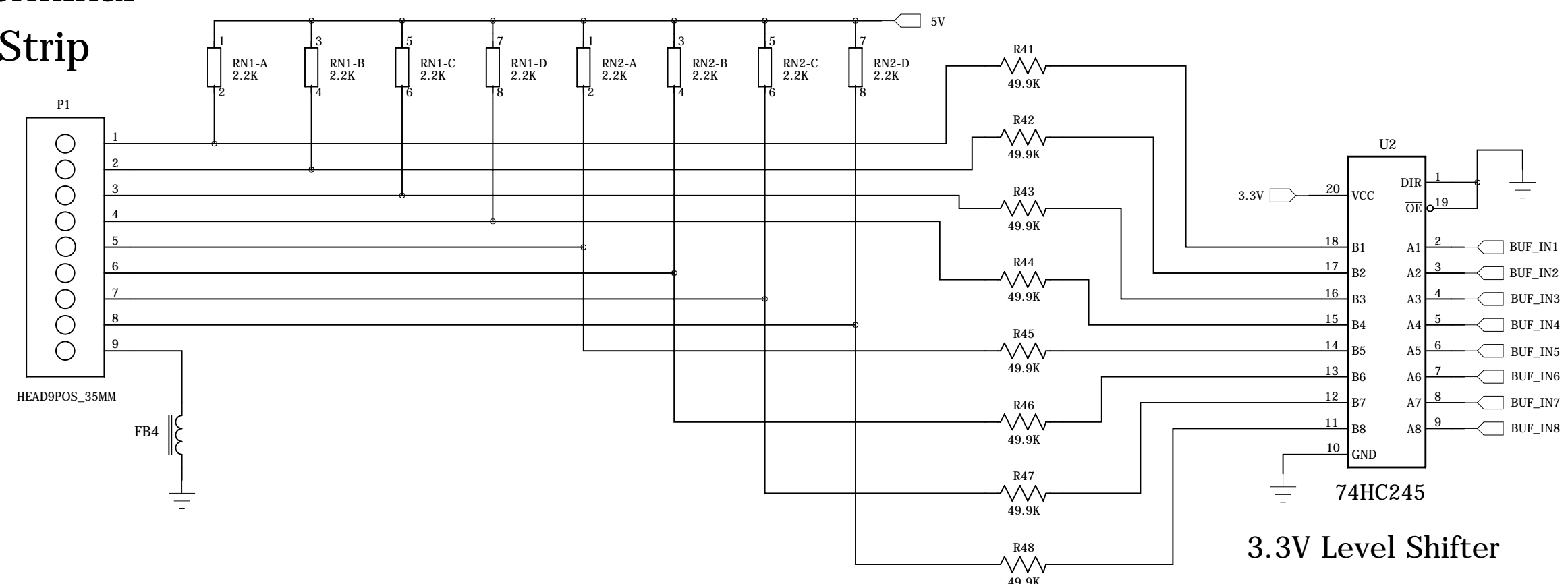
# Top 9 Position Terminal Strip

# Relays



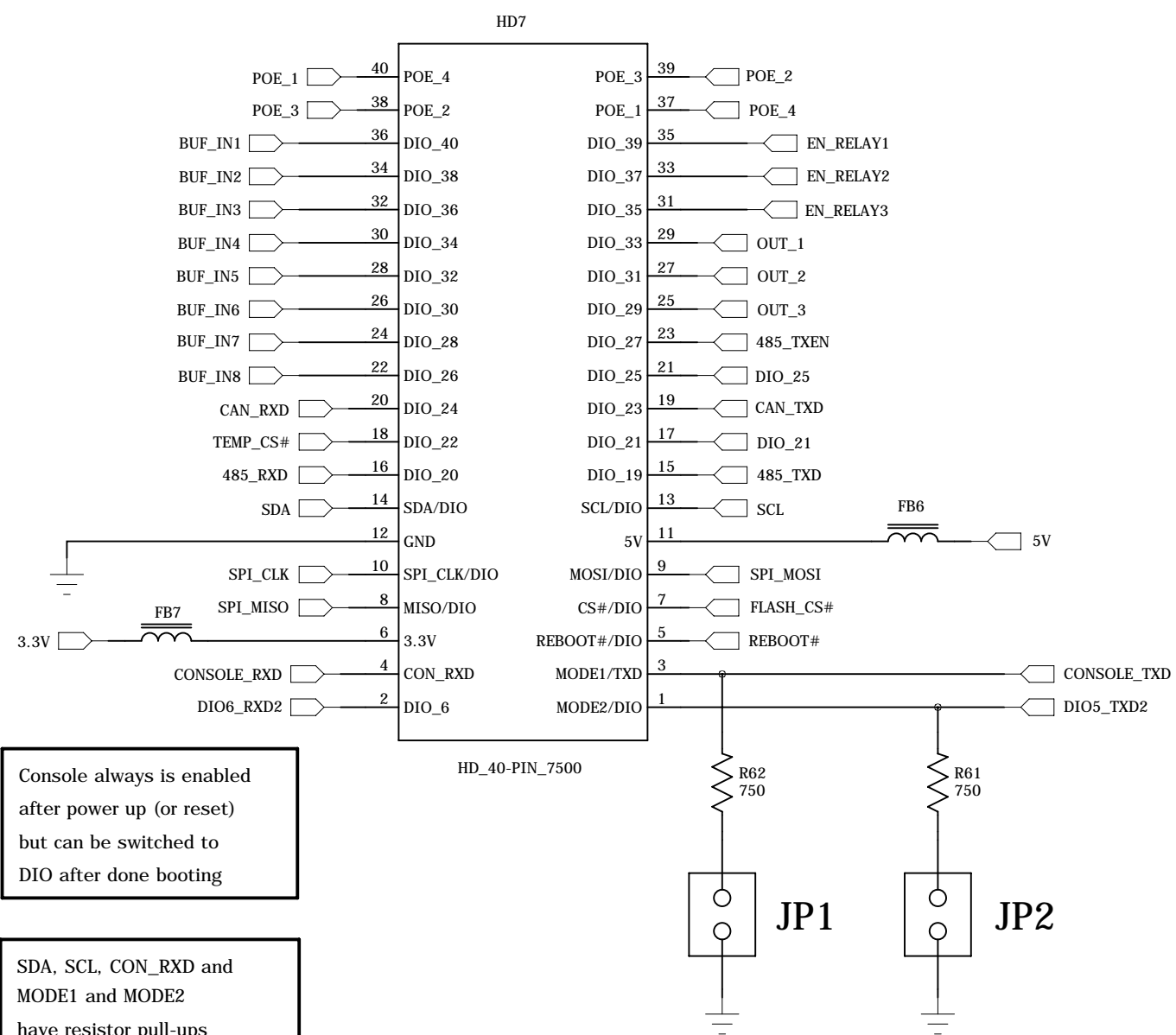
# Bottom 9 Position Terminal Strip

# System ReBoot



# 40-pin Connector

To 7500



Console always is enabled after power up (or reset) but can be switched to DIO after done booting

SDA, SCL, CON\_RXD and MODE1 and MODE2 have resistor pull-ups on TS-7500 and TS-7550

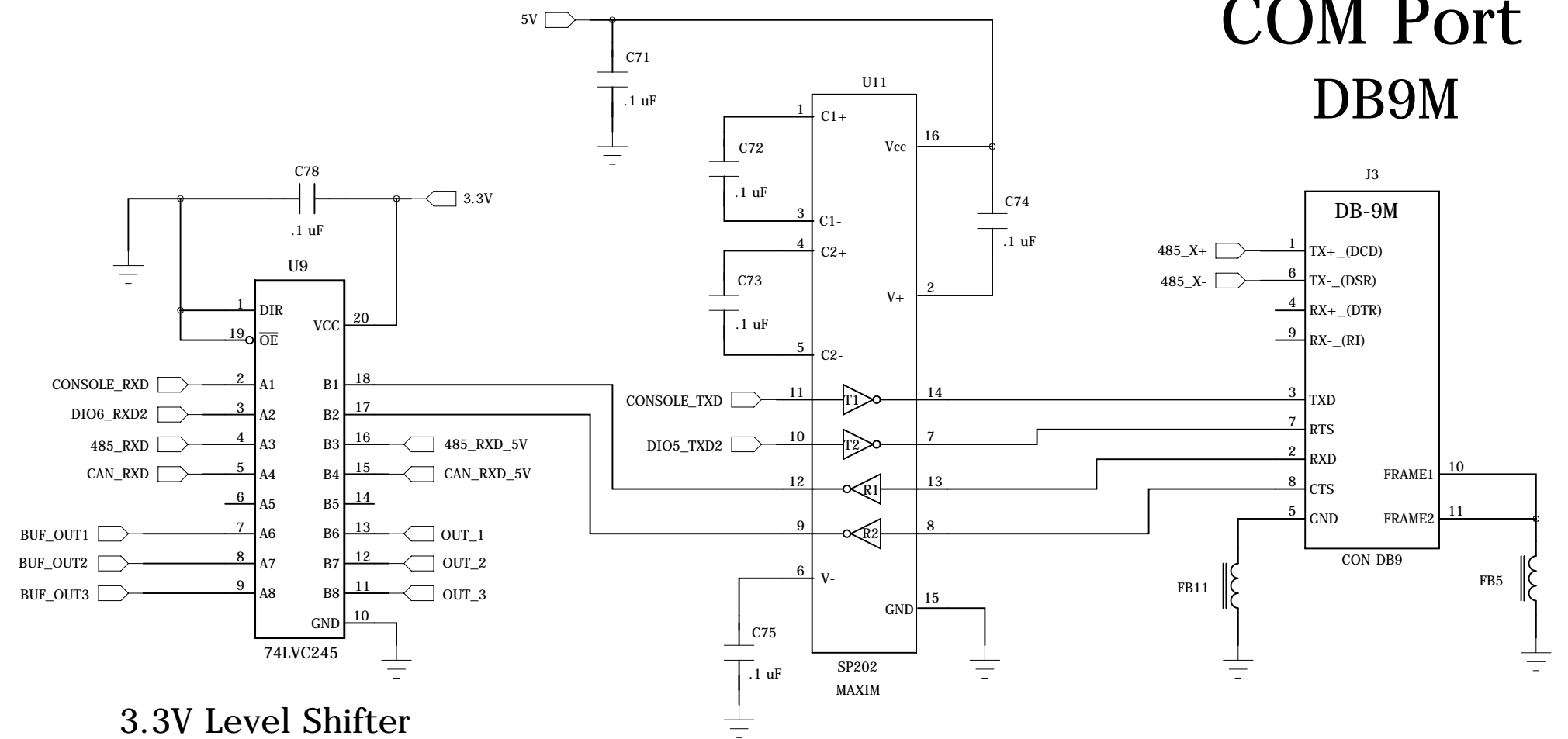
Reboot# pin (DIO\_09) defaults to DIO But can be switched to Reset function

SPI bus default to DIO But can be switched to SPI function

Mode 1	Mode 2	TS-7500 Boots from	TS-7550 Boots from
1	1	SPI Flash	NAND Flash
0	1	SD card	Reserved
1	0	TS-752 SPI Flash	TS-752 SPI Flash
0	0	Reserved	Reserved

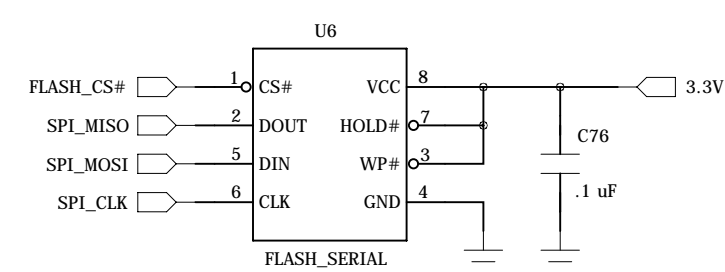
0 0 also boots from TS-752 Flash, but may be changed in the future

# RS-232 Transceiver



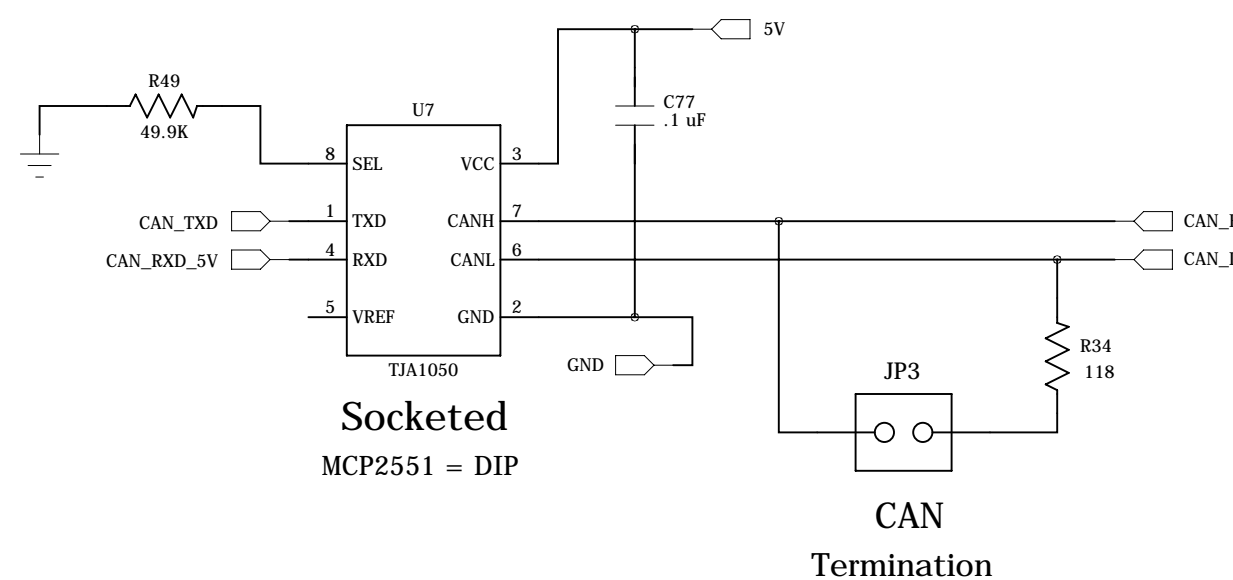
3.3V Level Shifter

# Serial Flash



For Recovery only  
Used to De-Brick a TS-75xx

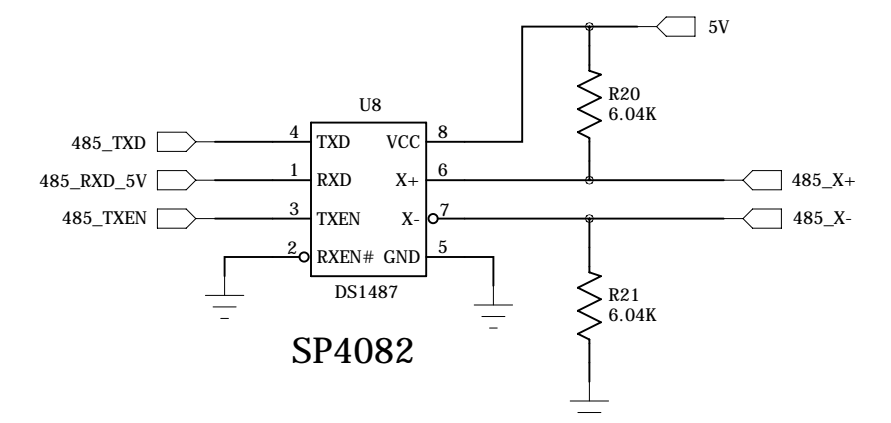
# CAN Transceiver



Socketed  
MCP2551 = DIP

CAN Termination

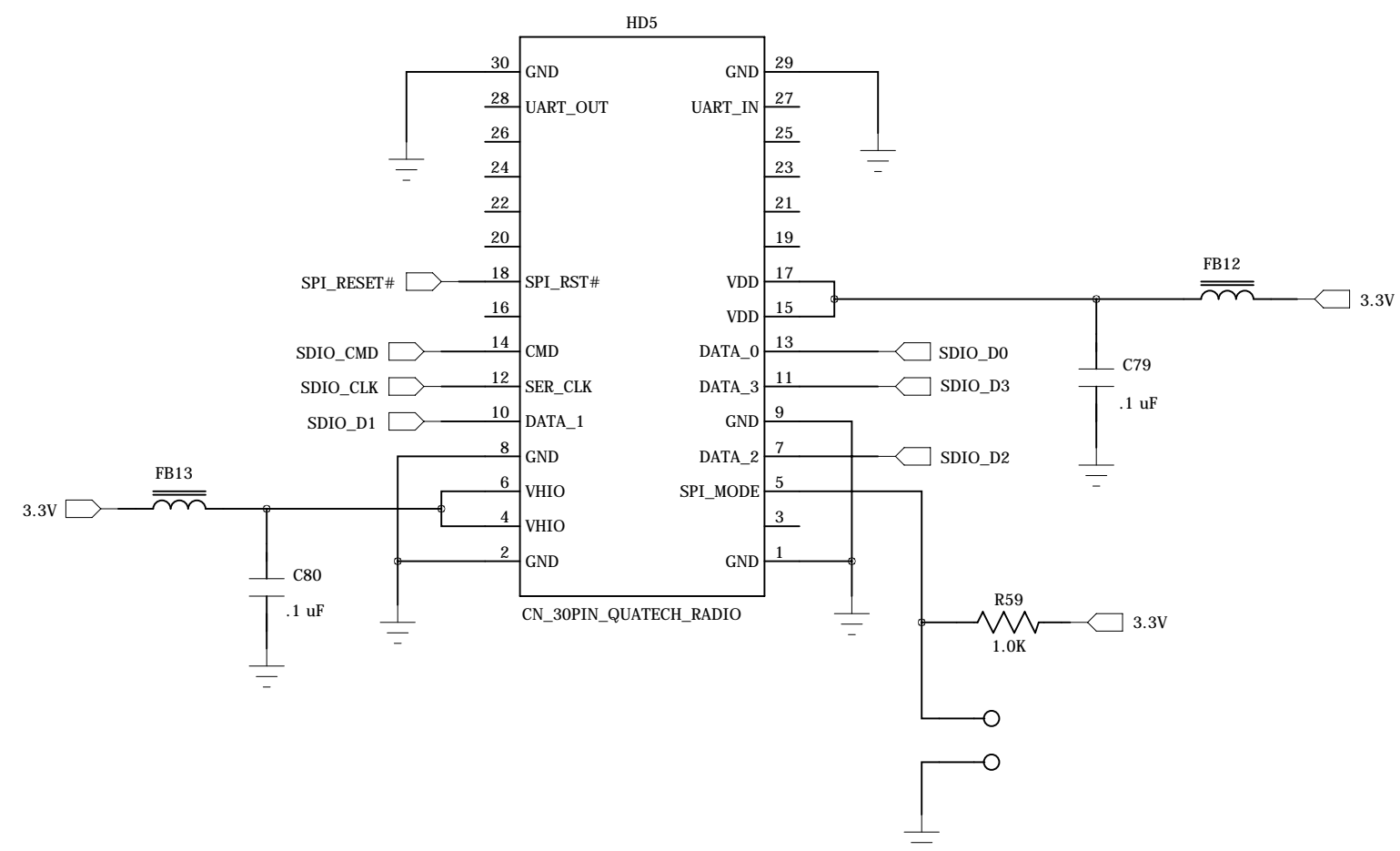
# RS-485 Transceiver



Technologic Systems	Date	June 2, 2009
Title: TS-752 -- Base Bd. in TS-7500 Enclosure		
Rev:	Designer	RLM Sheet 2 of 4

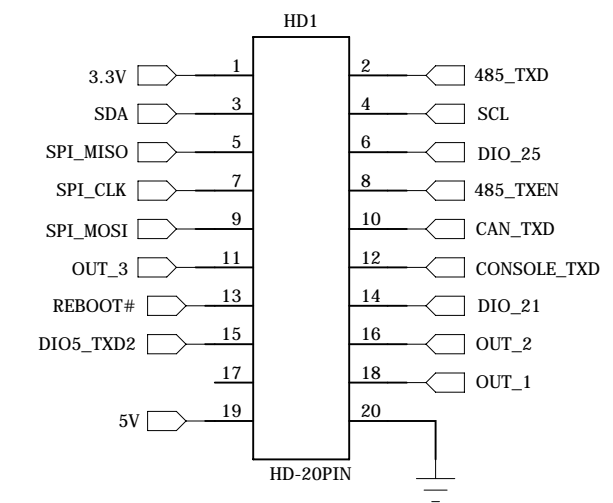


# QuaTech WiFi Radio



SPI\_MODE at GND = SPI mode  
Logic high = SDIO mode

# DIO Header



# Temp Sensor

