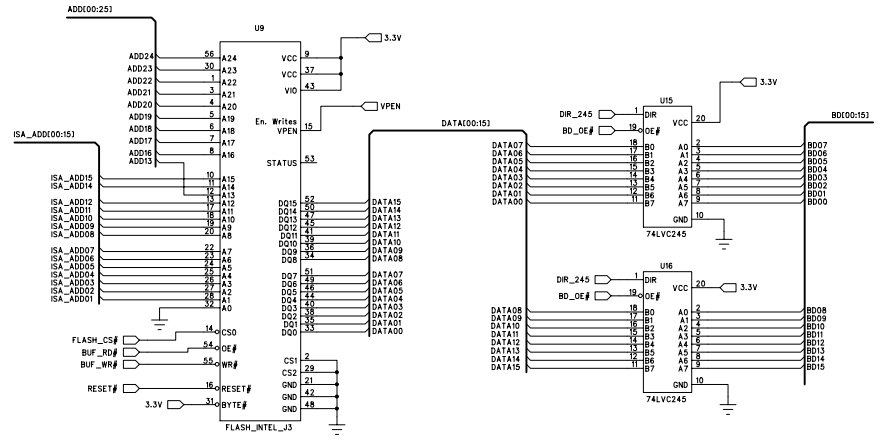
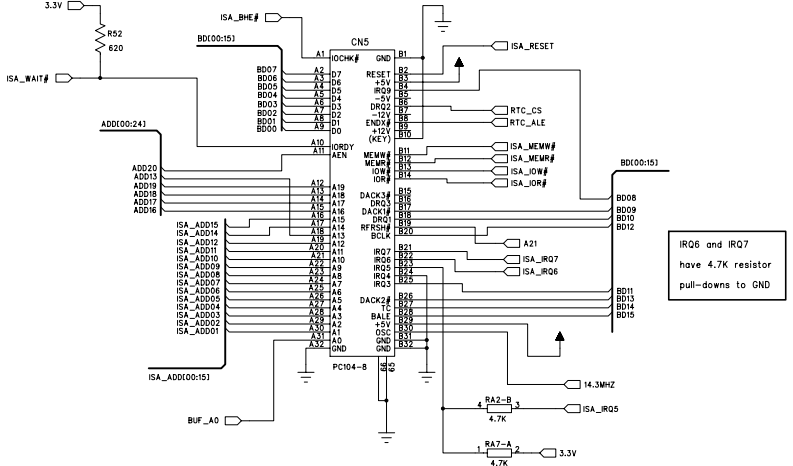


4-32 MB Flash



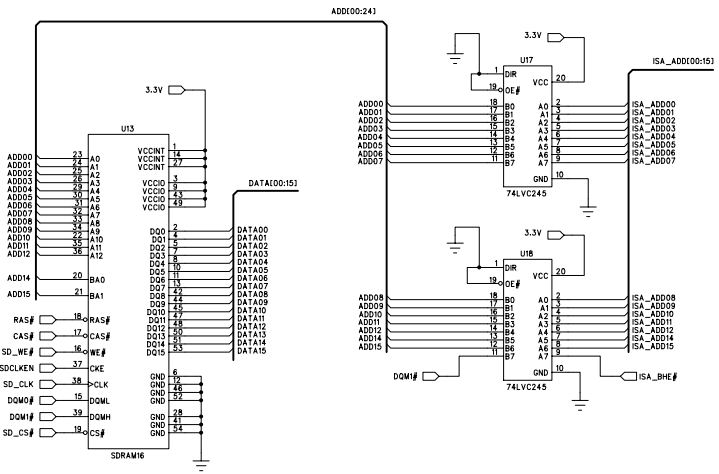
PC/104 Connector



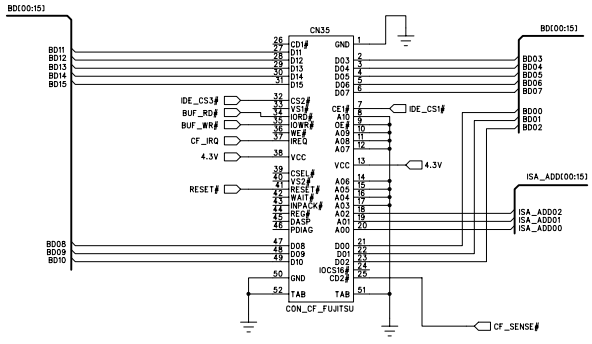
IRQ6 and IRQ7
have 4.7K resistor
pull-downs to GND

SDRAM

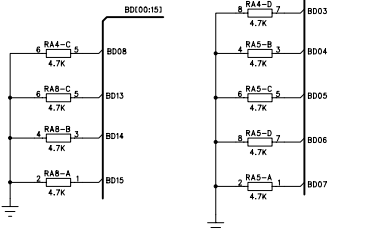
16 / 32 / 64 MB



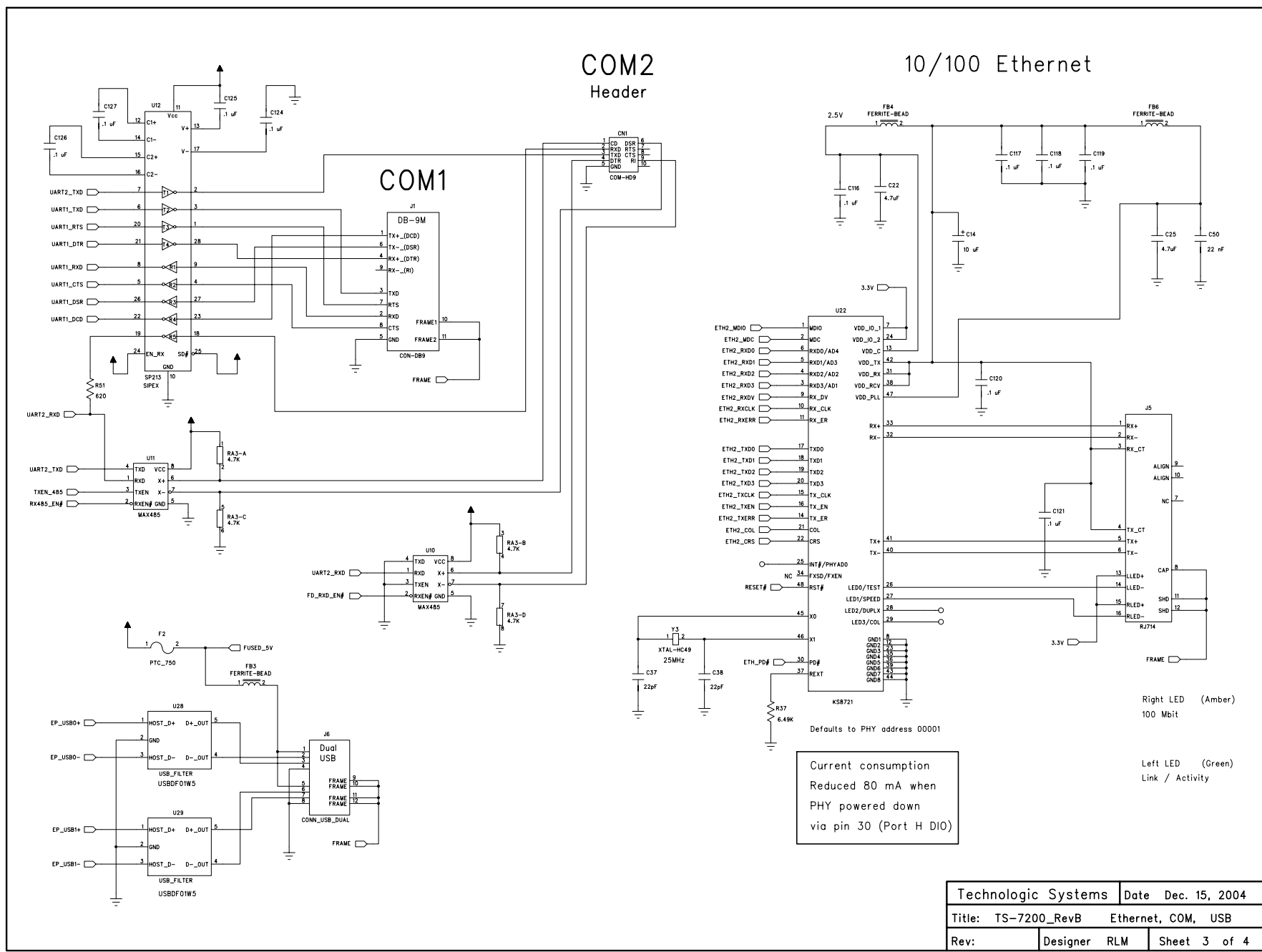
Compact Flash



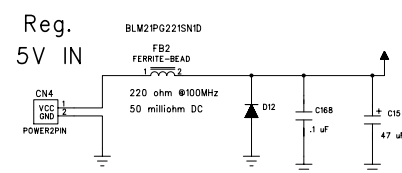
Data Bus
Pull-Down
Resistors



Technologic Systems	Date Dec. 15, 2004
Title: TS-7200_RevB RAM, Flash, PC/104	
Rev:	Designer RLM Sheet 2 of 4

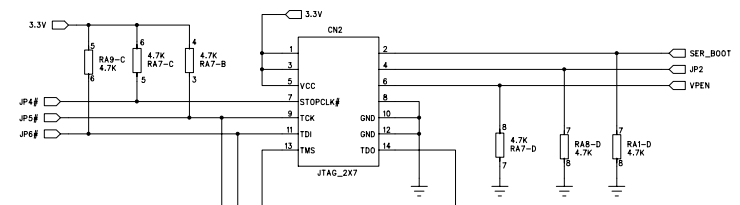


Technologic Systems	Date Dec. 15, 2004
Title: TS-7200_RevB	Ethernet, COM, USB
Rev:	Designer RLM Sheet 3 of 4

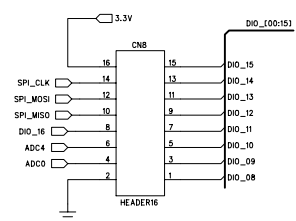


Jumpers:
 JP1 = Boot Serial
 JP2 = Console Enable
 JP3 = Write Enable Flash
 JP4 = Stop @ Redboot
 JP5 = TS_Test
 JP6 = Reserved

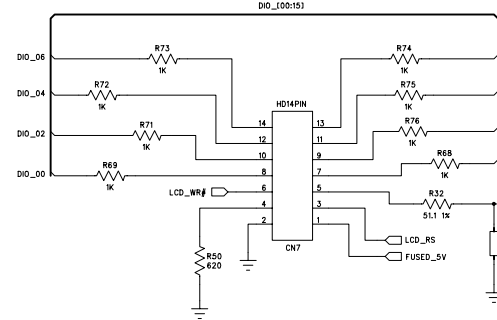
JTAG and Jumpers



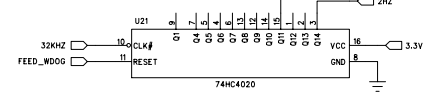
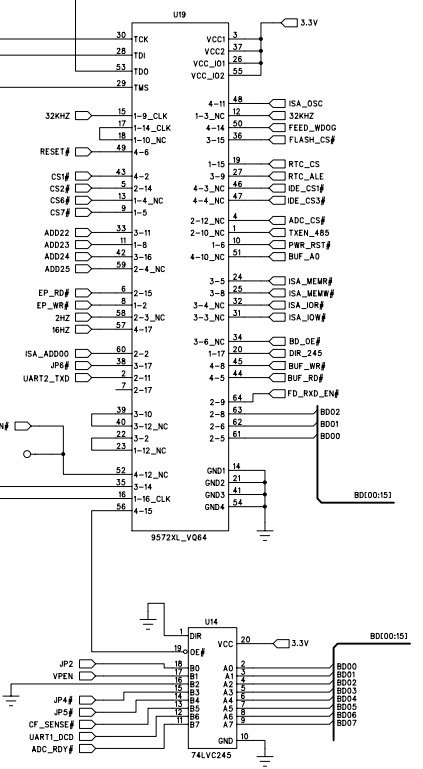
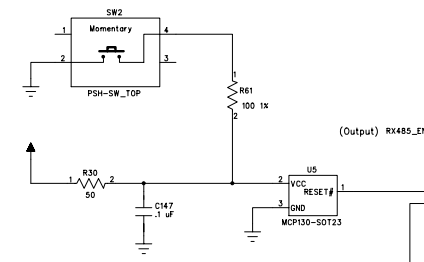
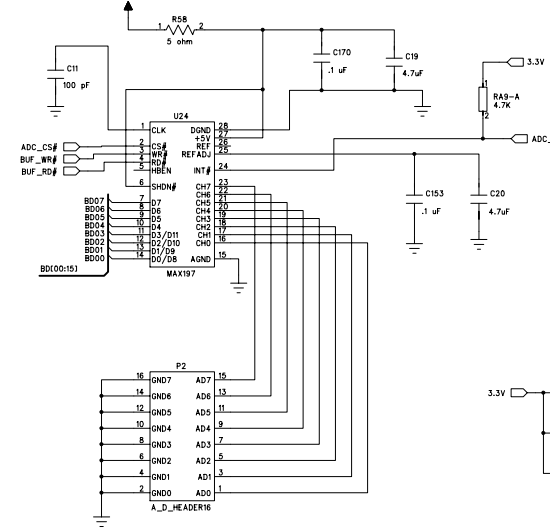
DIO Port



LCD Port



12-bit A/D Converter



Technologic Systems	Date Dec. 15, 2004
Title: TS-7200_RevB PLD, LCD, DIO, ADC	
Rev:	Designer
	Sheet 4 of 4