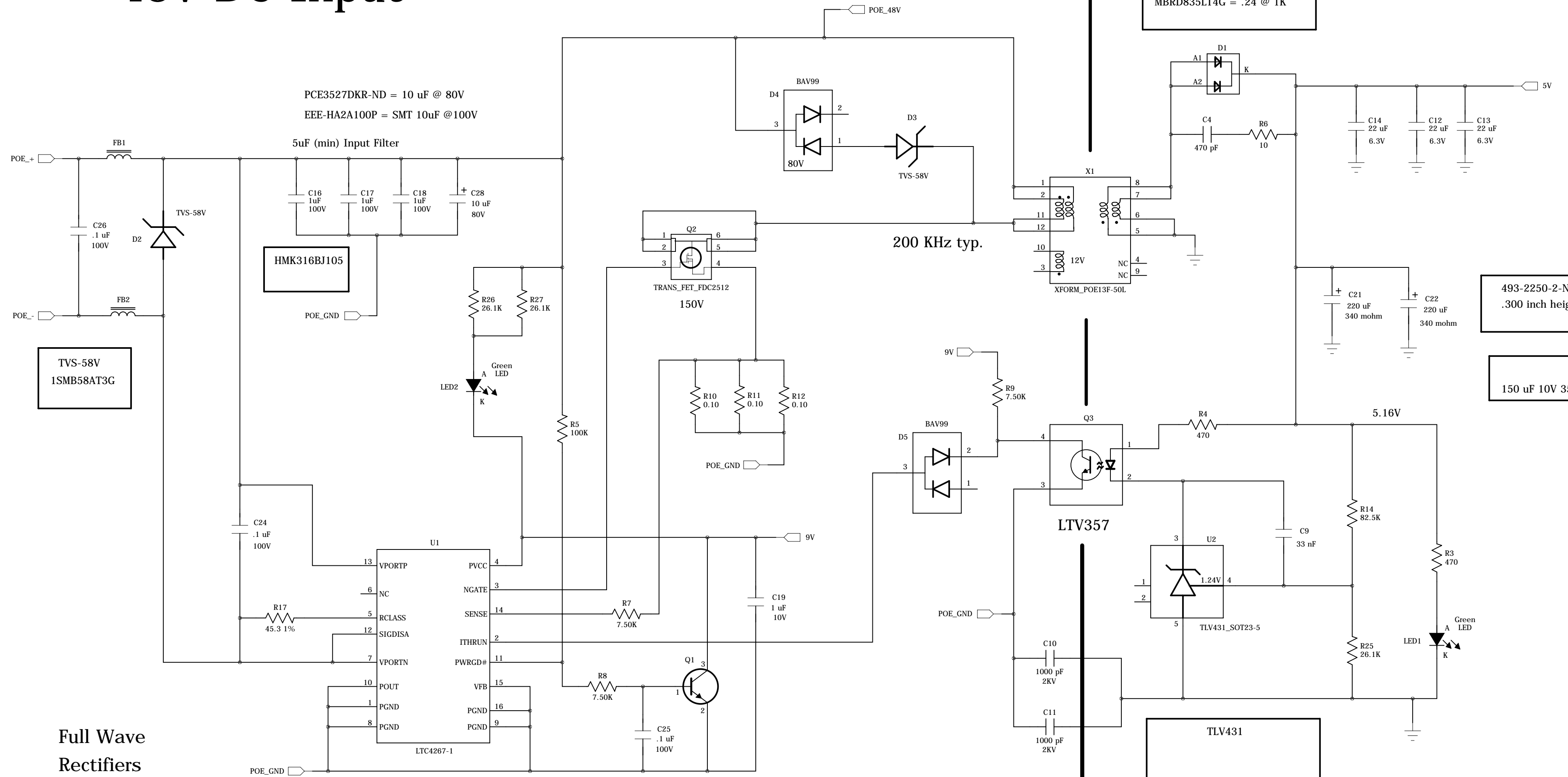


POE Side 48V DC Input

Reg. 5V Out



Full Wave Rectifiers

