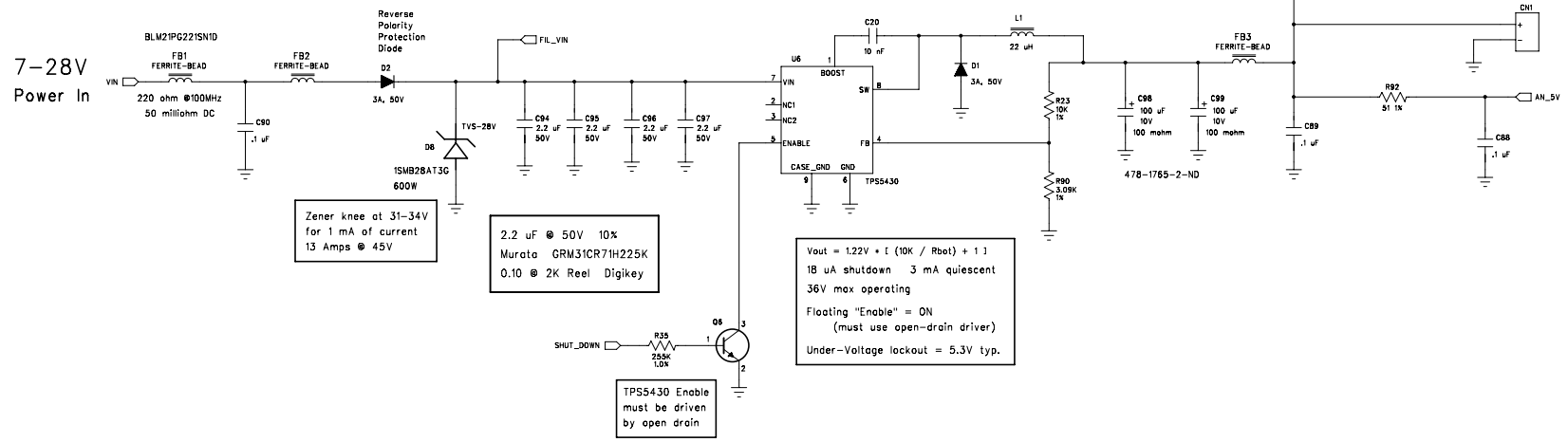
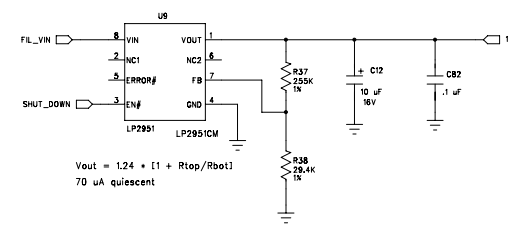


Technologic Systems	Date July 9, 2006
Title: TS-732 AVR, Analog	
Rev: 1.0	Designer RLM Sheet 1 of 3

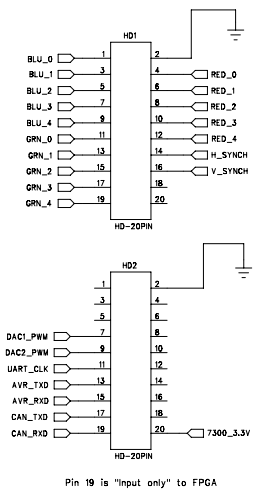
### 5V Power Supply (2 Amps)



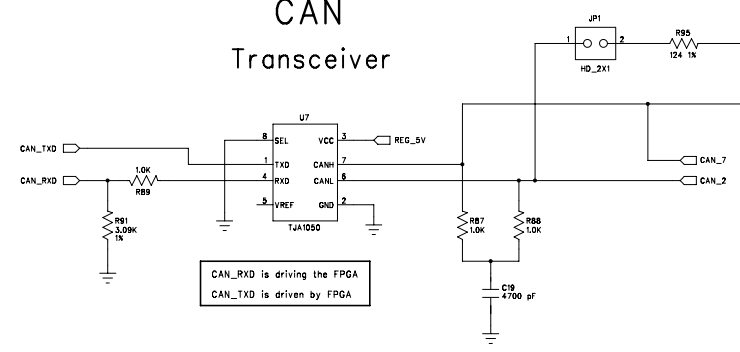
### 12V Regulator for TLC083



### 40-pin to TS-7300

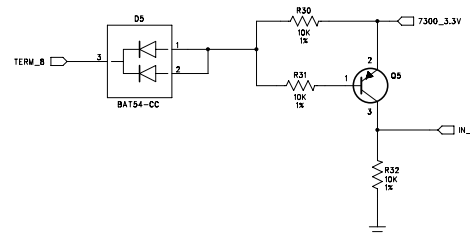
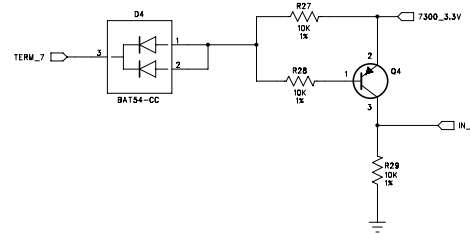
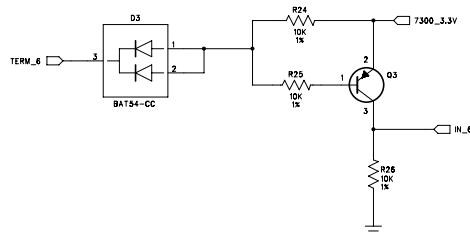


### CAN Transceiver

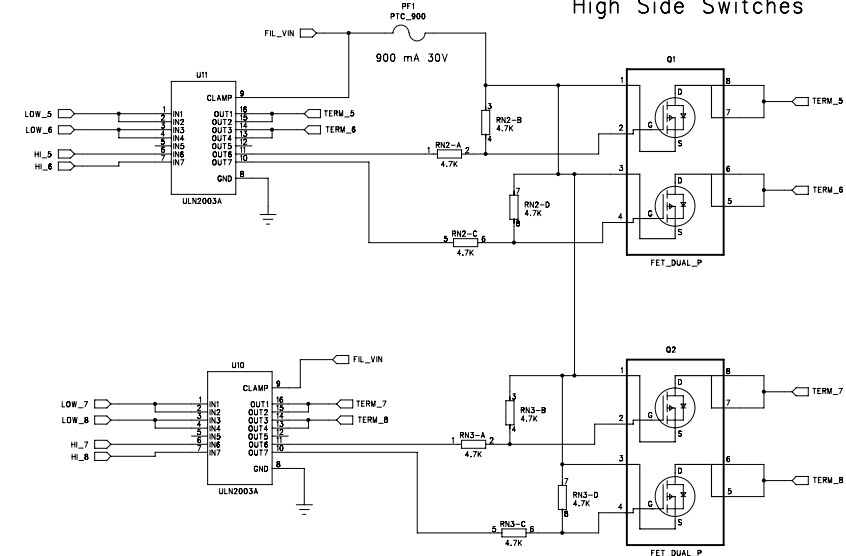


Technologic Systems	Date July 9, 2006
Title: Power, CAN transceiver	
Rev:	Designer RLM Sheet 2 of 3

### Digital Inputs



### High Side Switches



IRF 7306 = 30V, 100 mohm  
 IRF 7316 = 30V, 58 mohm  
 IRF 7342 = 55V, 105 mohm

### Thermistor -- Resettable

LittleFuse	RLD30P090 = 900mA 30V 200 mil lead space	
	RLD30P110 = 1100mA 30V	
	RLD60P090 = 900mA 60V	Add "F" for Lead-Free
	RLD60P110 = 1100mA 60V	
Bourns	MF-R090 = 900mA 60V 200 mil lead space	
	MF-RX110 = 1100mA 60V	
	Stock Digkey .36/500 .45/100	
Raychem	RUE090 = 900mA 33V 200 mil lead space	
	RXE090 = 900mA 72V	
TTI, Mouser, Digkey	Both ore .30/500	

### Rear Panel Connector

