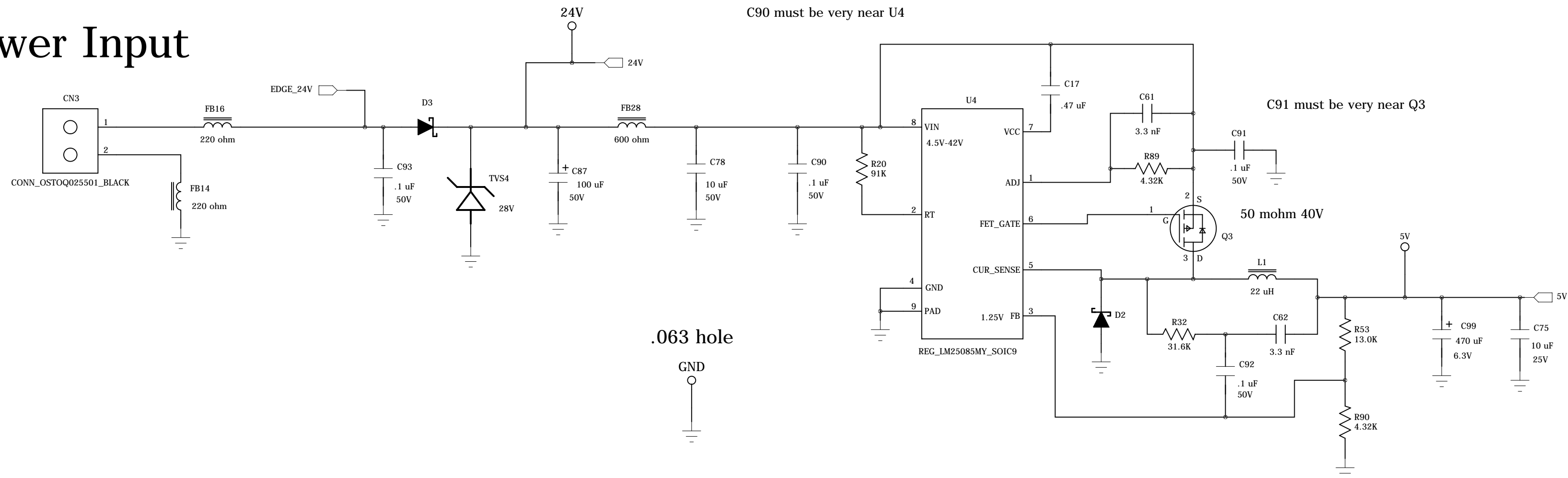
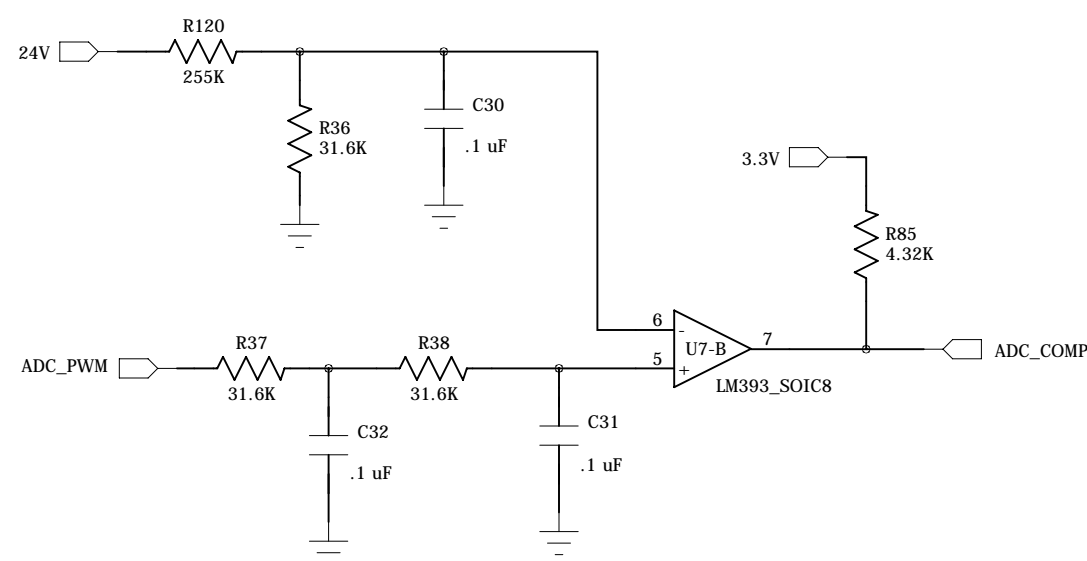


# 5V Power Supply (2.0 Amps)

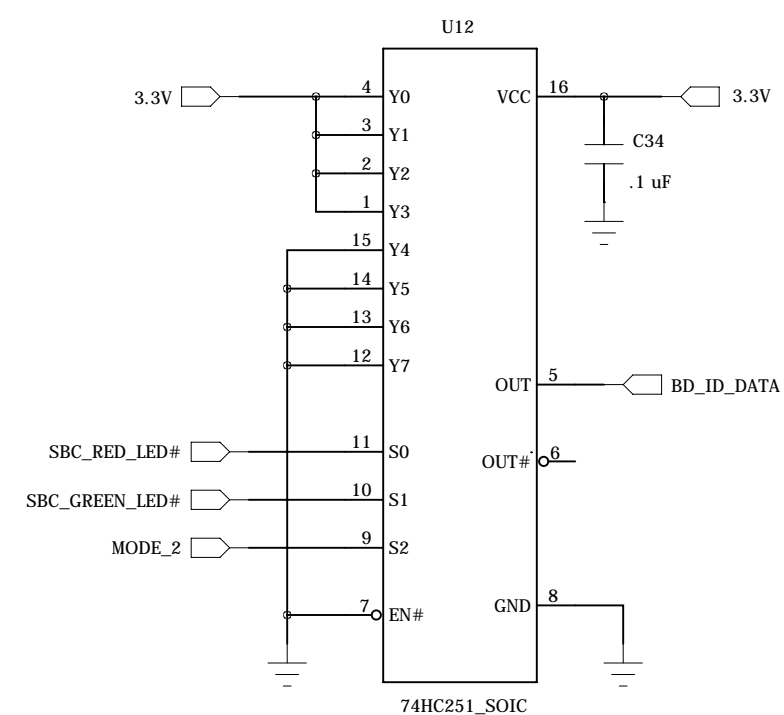
20-28 VDC  
Power Input



## A/D Converter



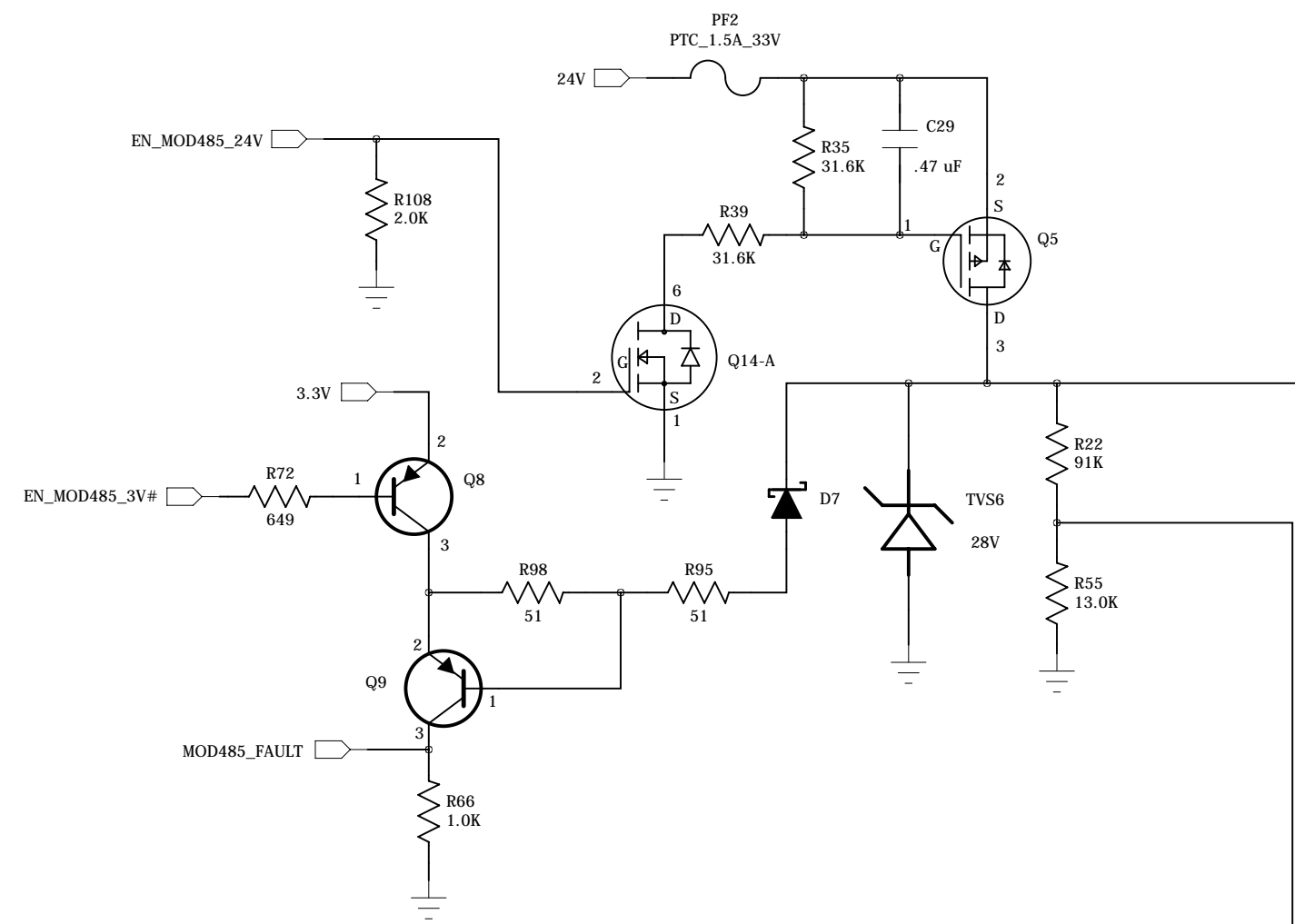
## Board ID = 15



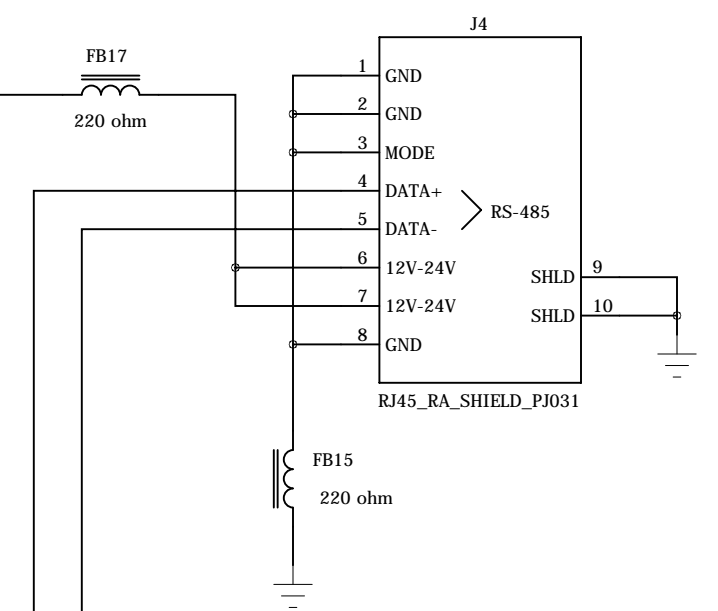
Technologic Systems	Date Nov. 25, 2012
Title: TS-8380 5V Reg. and ADC	
Rev: A	Designer RLM
Sheet 1 of 10	

# ModBus RS-485

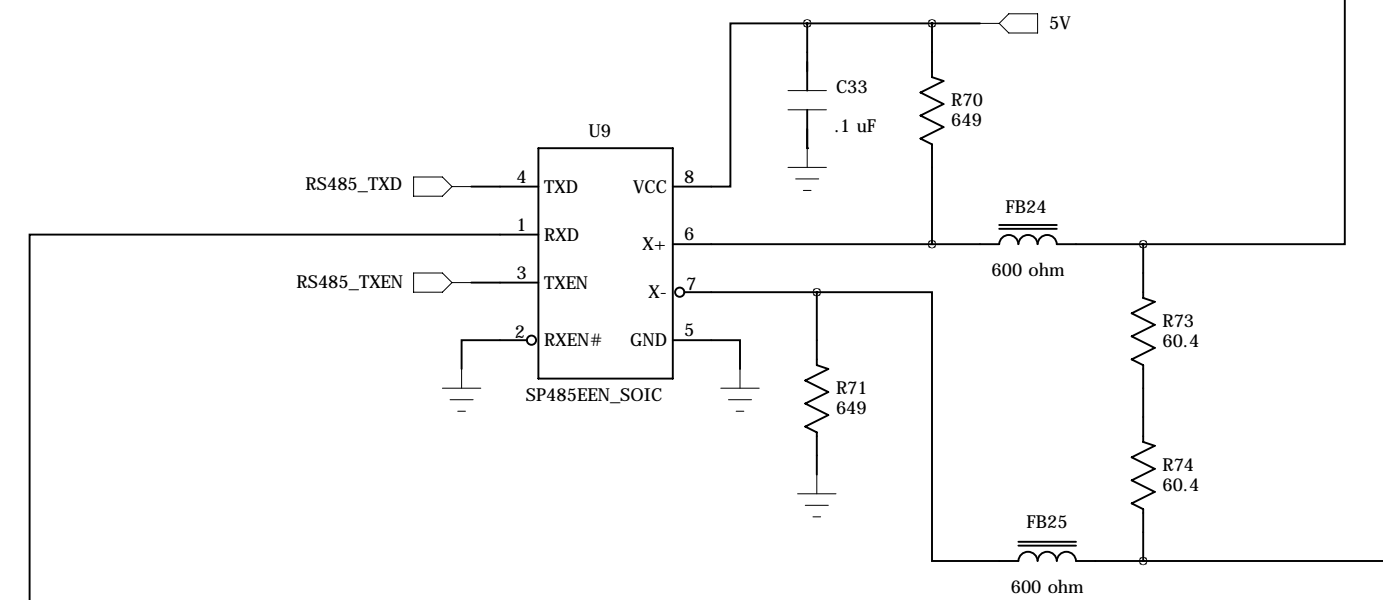
## Power Switch



## ModBus Shielded RJ45

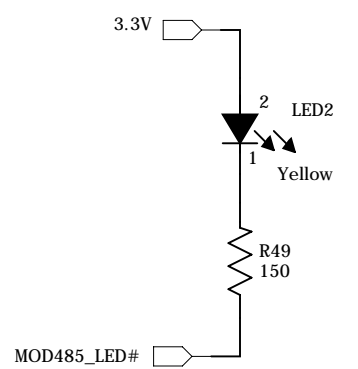
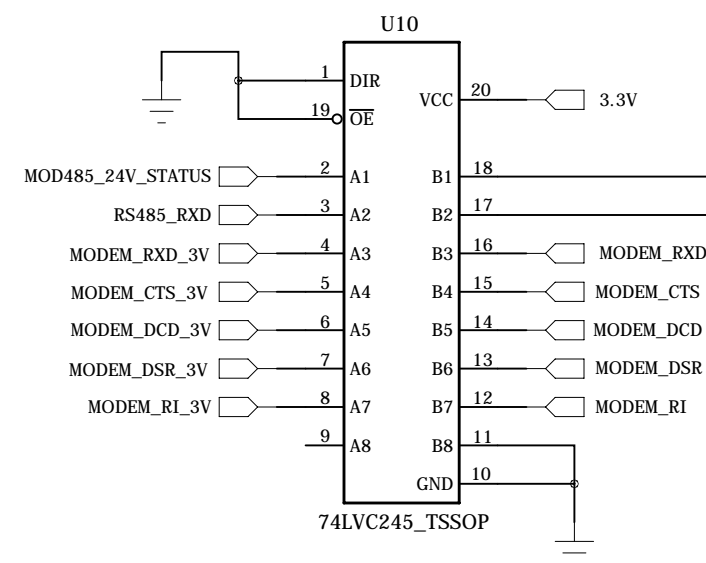


## RS-485 Driver



## Level shifter

3.3V ← 5V

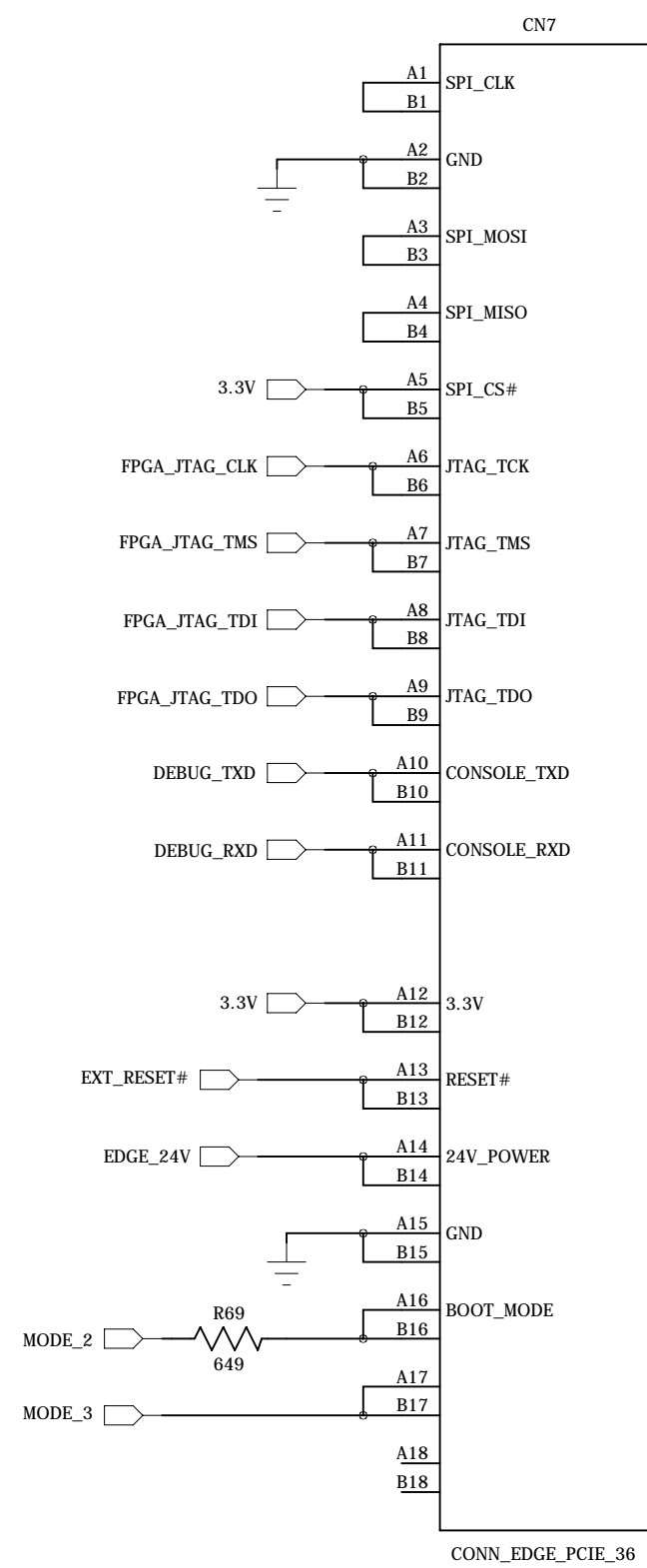


LED = Paralight # LED-L-H311006E

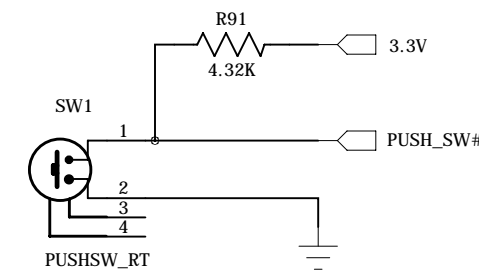
Technologic Systems	Date Nov. 25, 2012
Title: TS-8380 ModBus RS-485	
Rev: A	Designer RLM
Sheet 2 of 10	

# Misc.

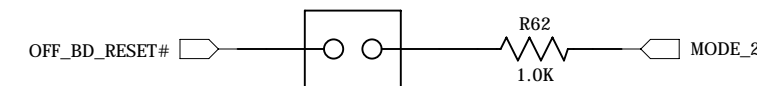
## Console Edge Conn.



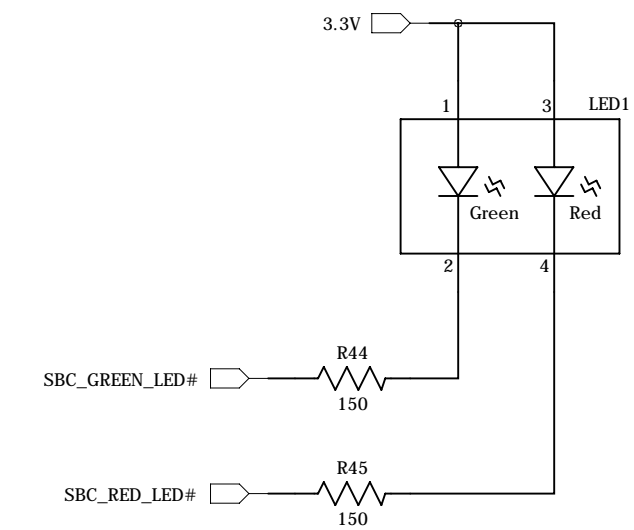
## Push Switch



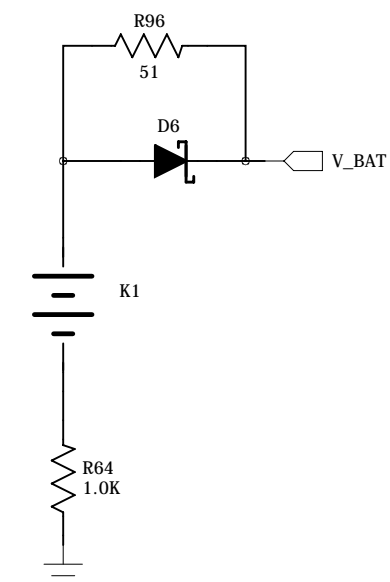
## SD Boot



## Front Panel LEDs



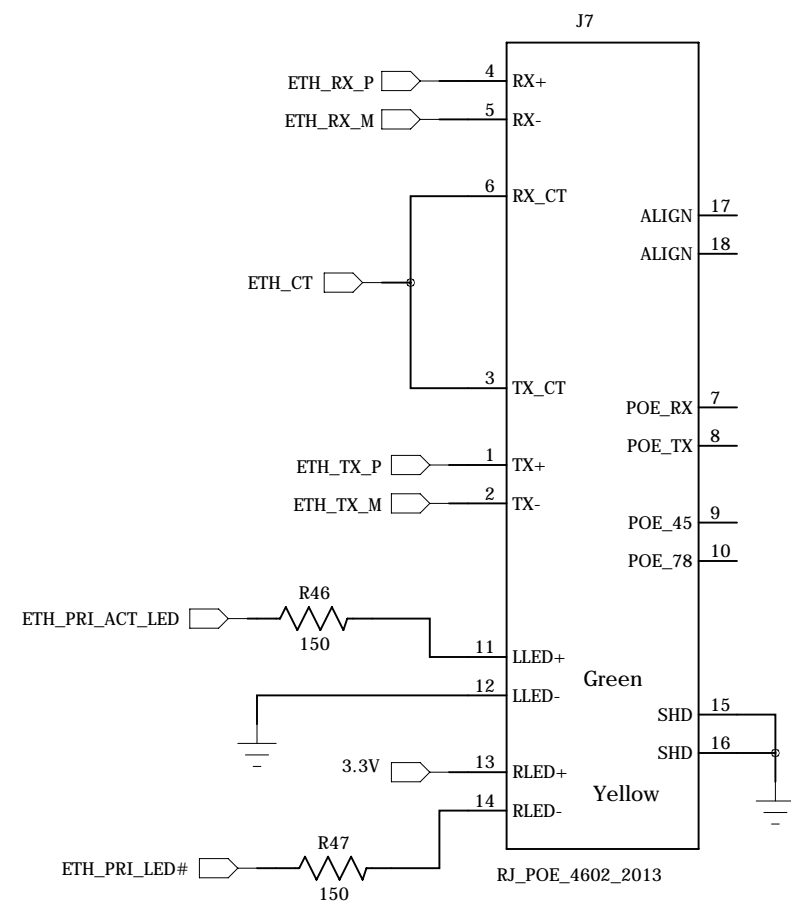
## RTC Battery



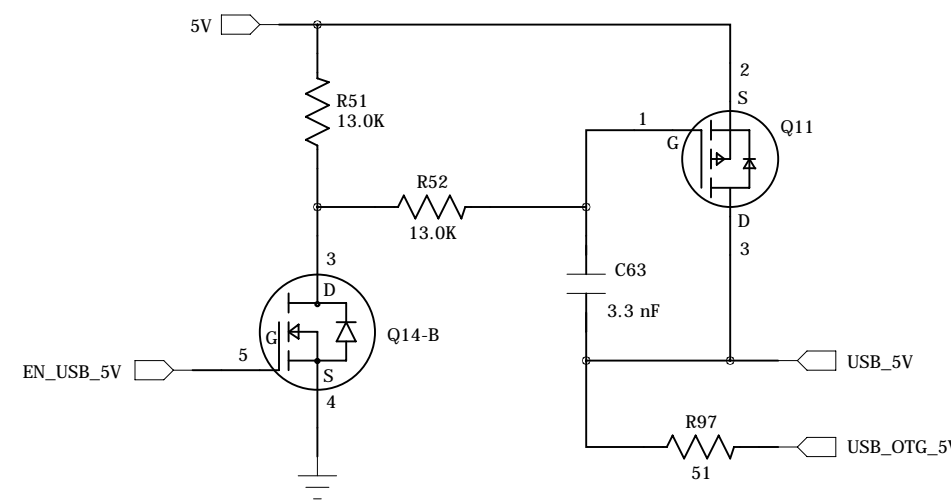
Technologic Systems	Date Nov. 25, 2012
Title: TS-8380 Console, LEDs, Switch, etc.	
Rev: A	Designer RLM Sheet 3 of 10

# USB and Ethernet Ports

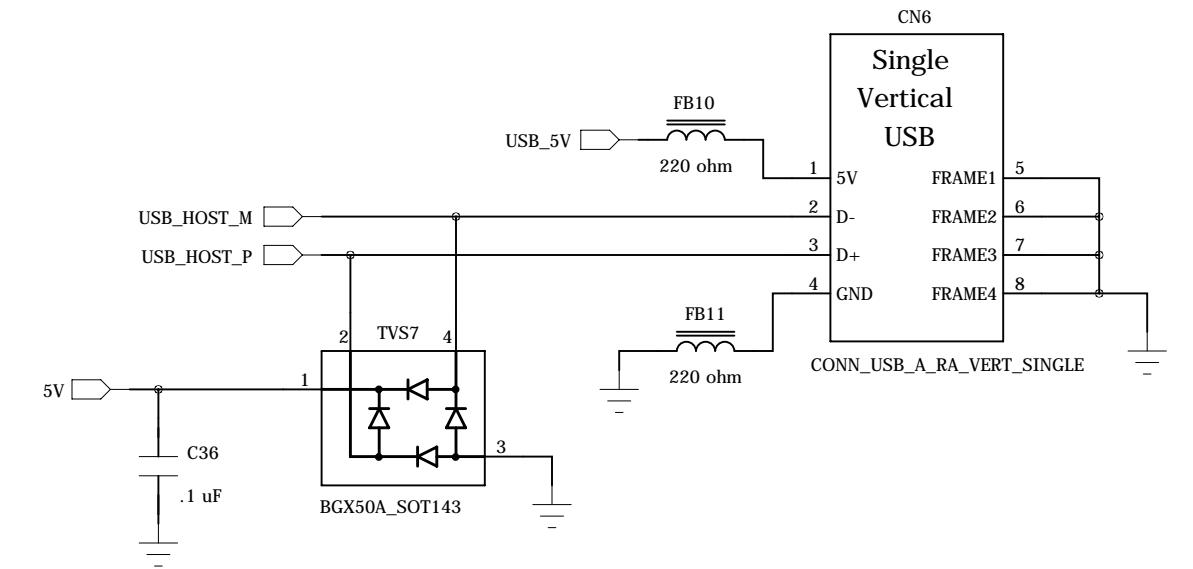
## Primary Ethernet



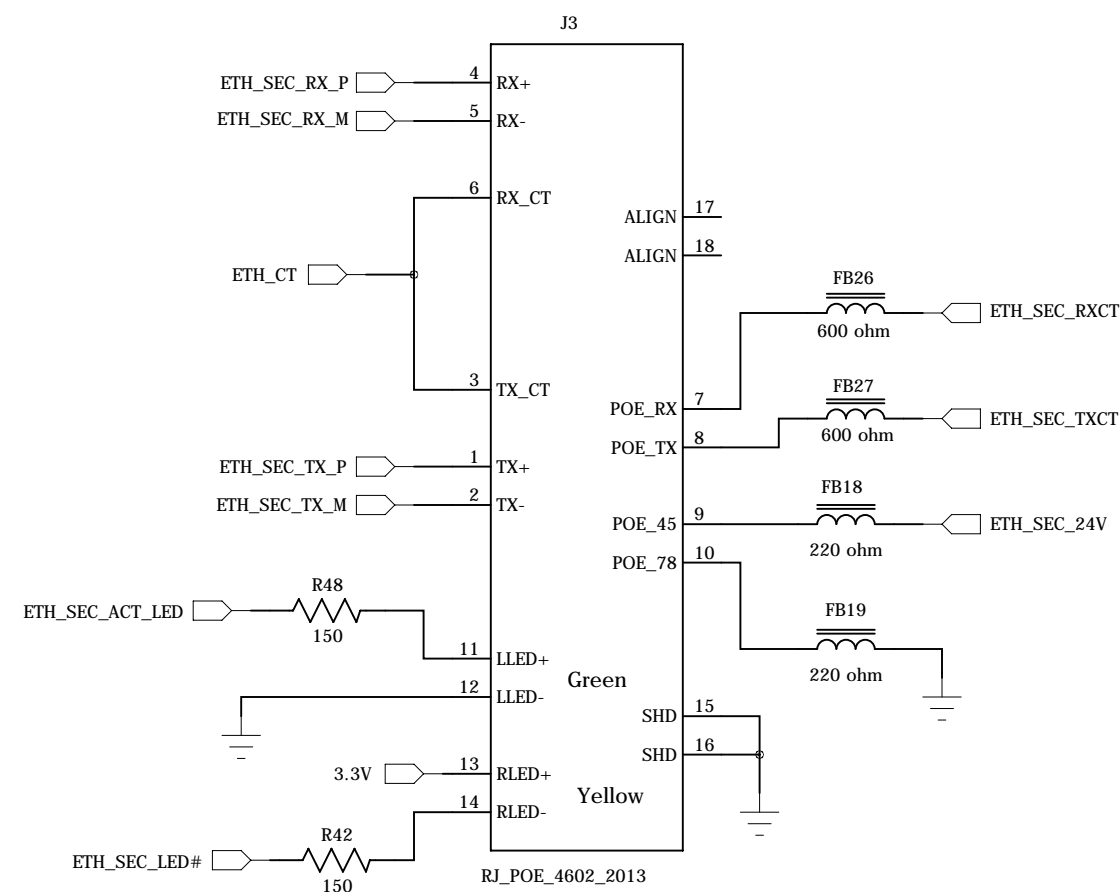
## USB Power Switch



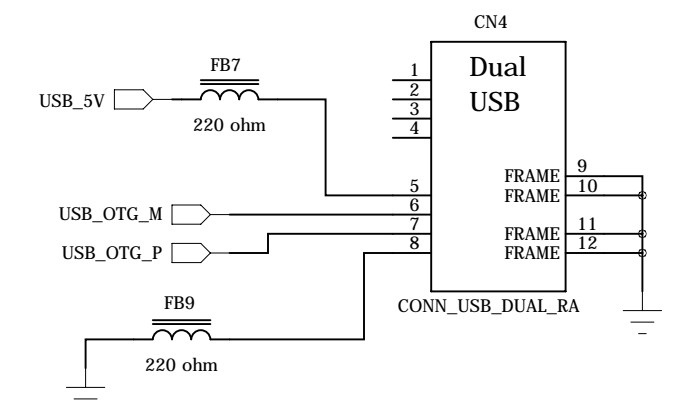
## External USB Port



## Secondary Ethernet



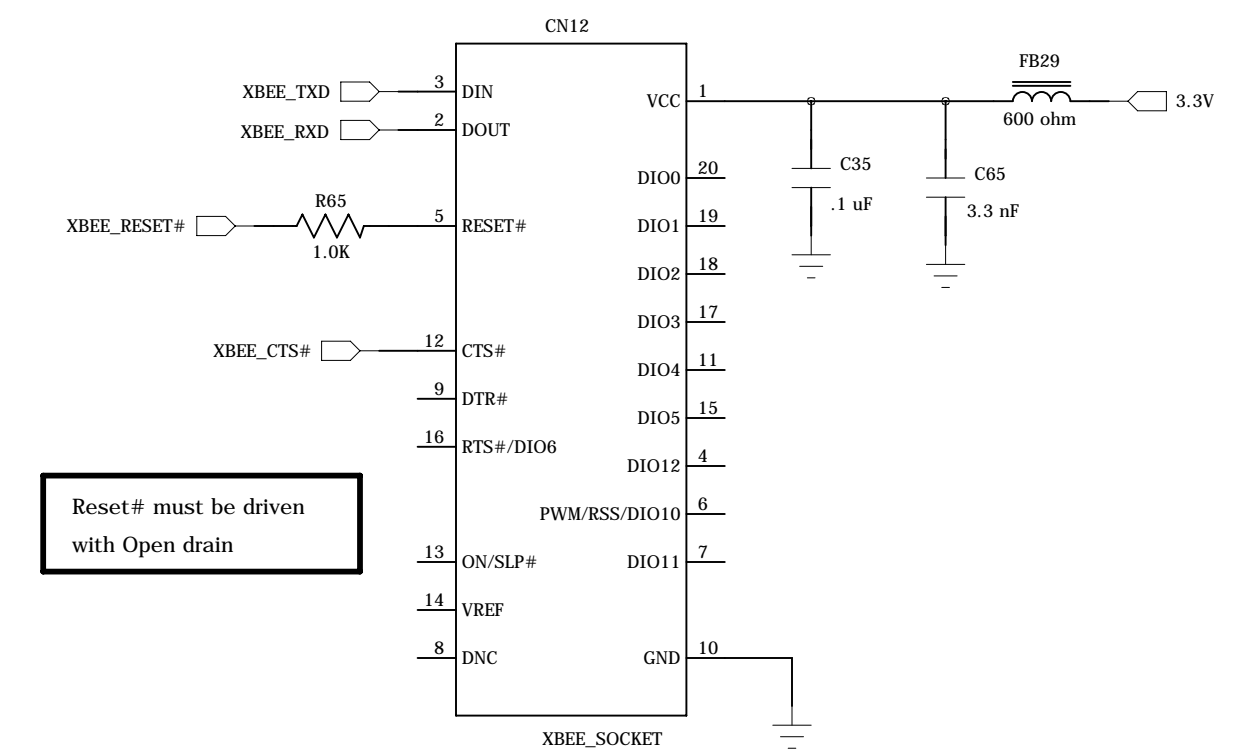
## Internal WiFi USB Port



Technologic Systems		Date Nov. 25, 2012	
Title: TS-8380 USB and Ethernet Ports			
Rev: A	Designer RLM	Sheet 4 of 10	

# Ethernet Power

## Digi/MaxStream XBee Radio

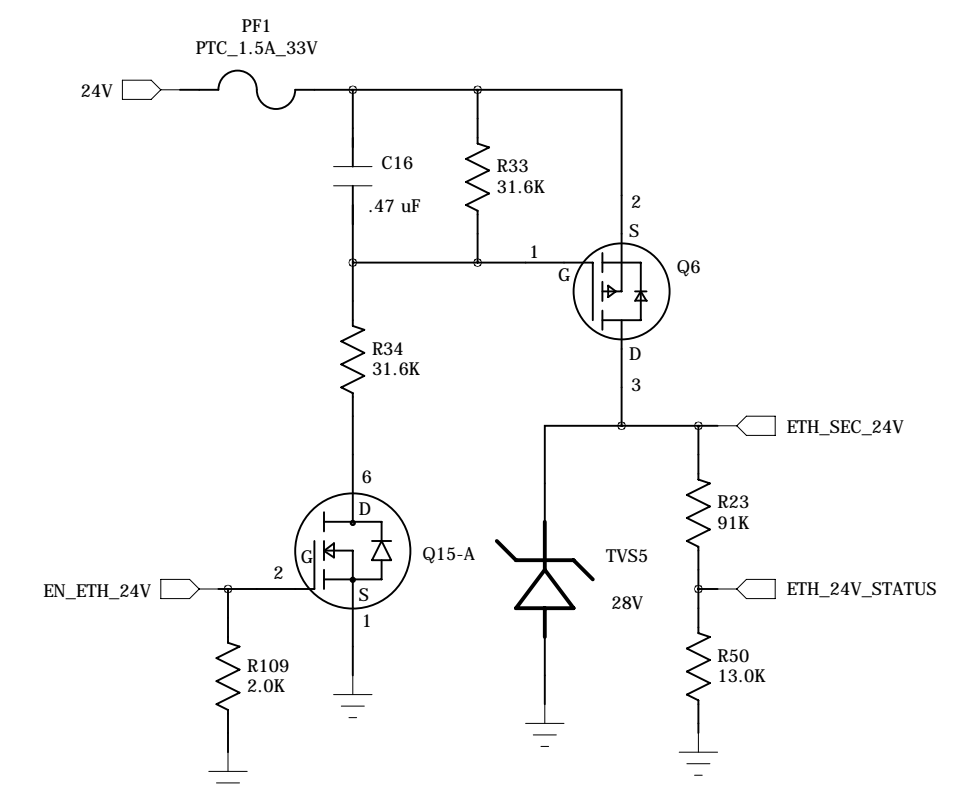


Reset# must be driven  
with Open drain

Baud rates up to  
230.4K supported

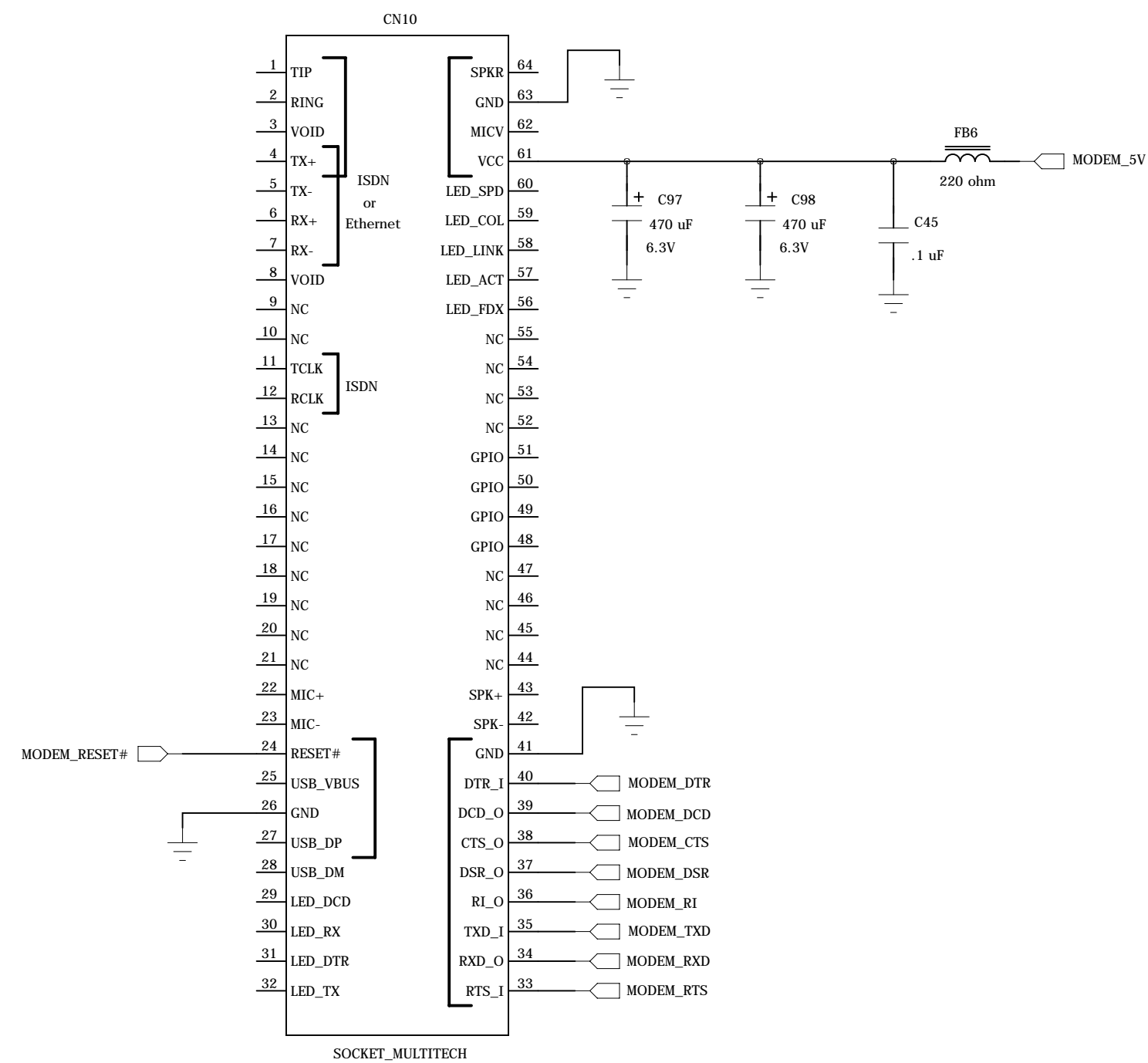
CTS# is an output  
that can be used for  
hardware flow control

## Ethernet Power Switch

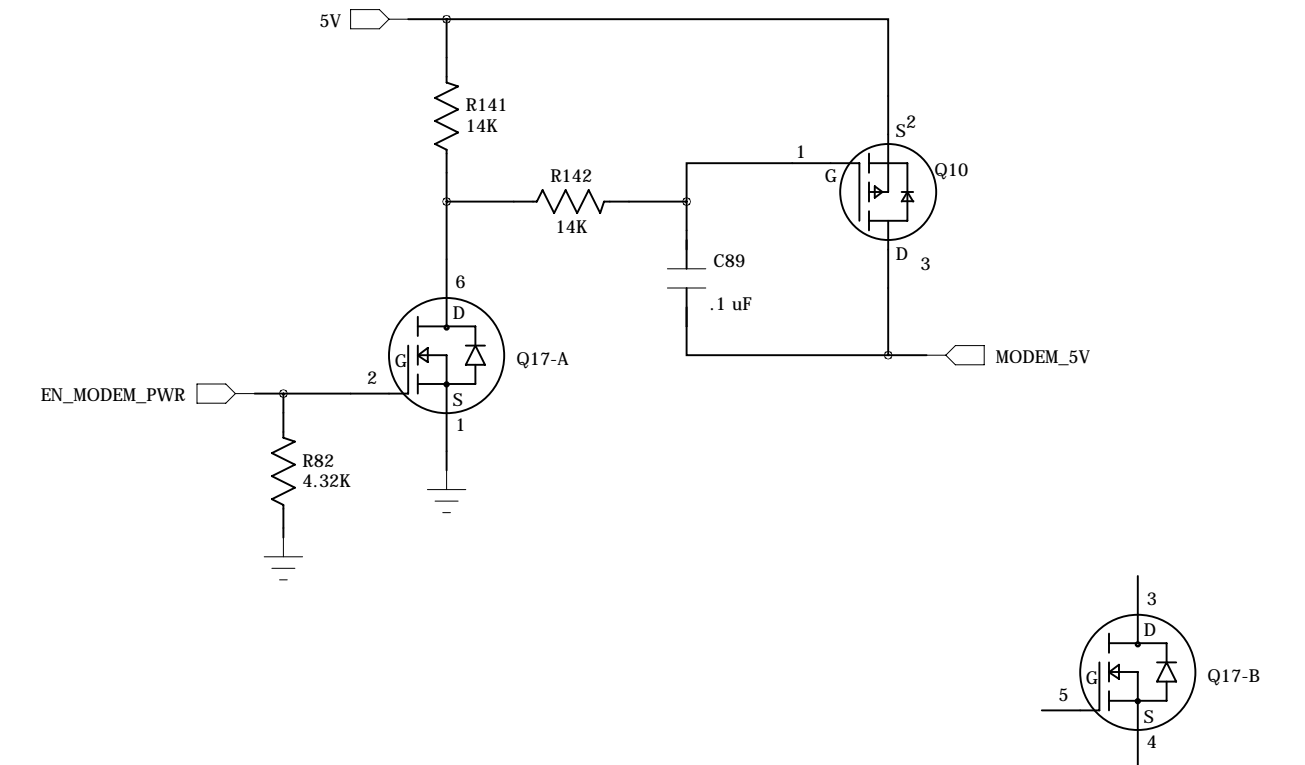


# Modem and LCD Touch

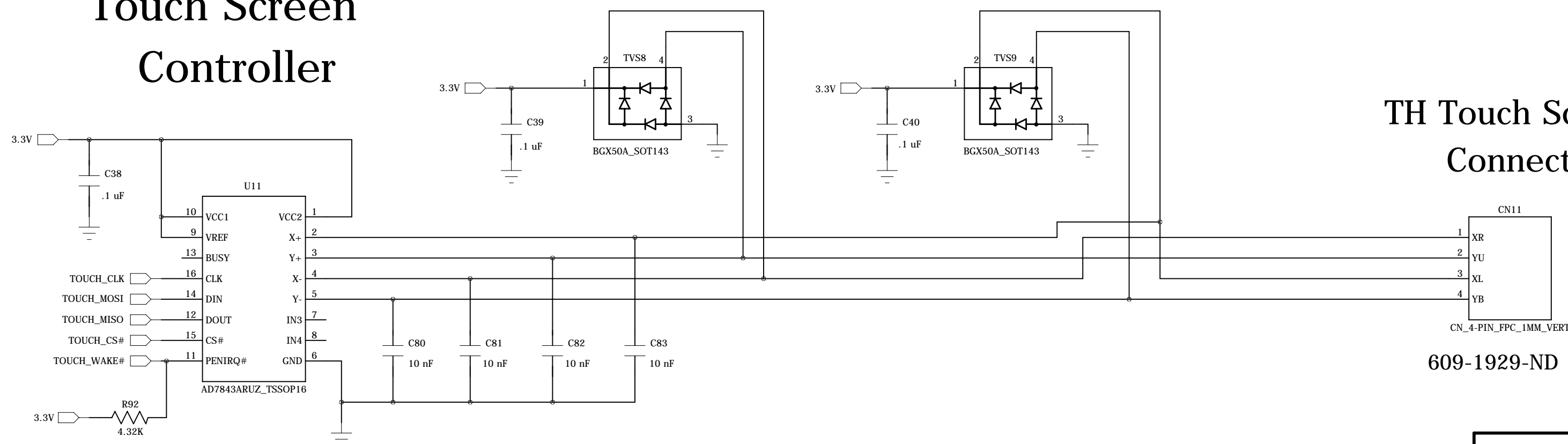
## Modem



## Modem Power Switch



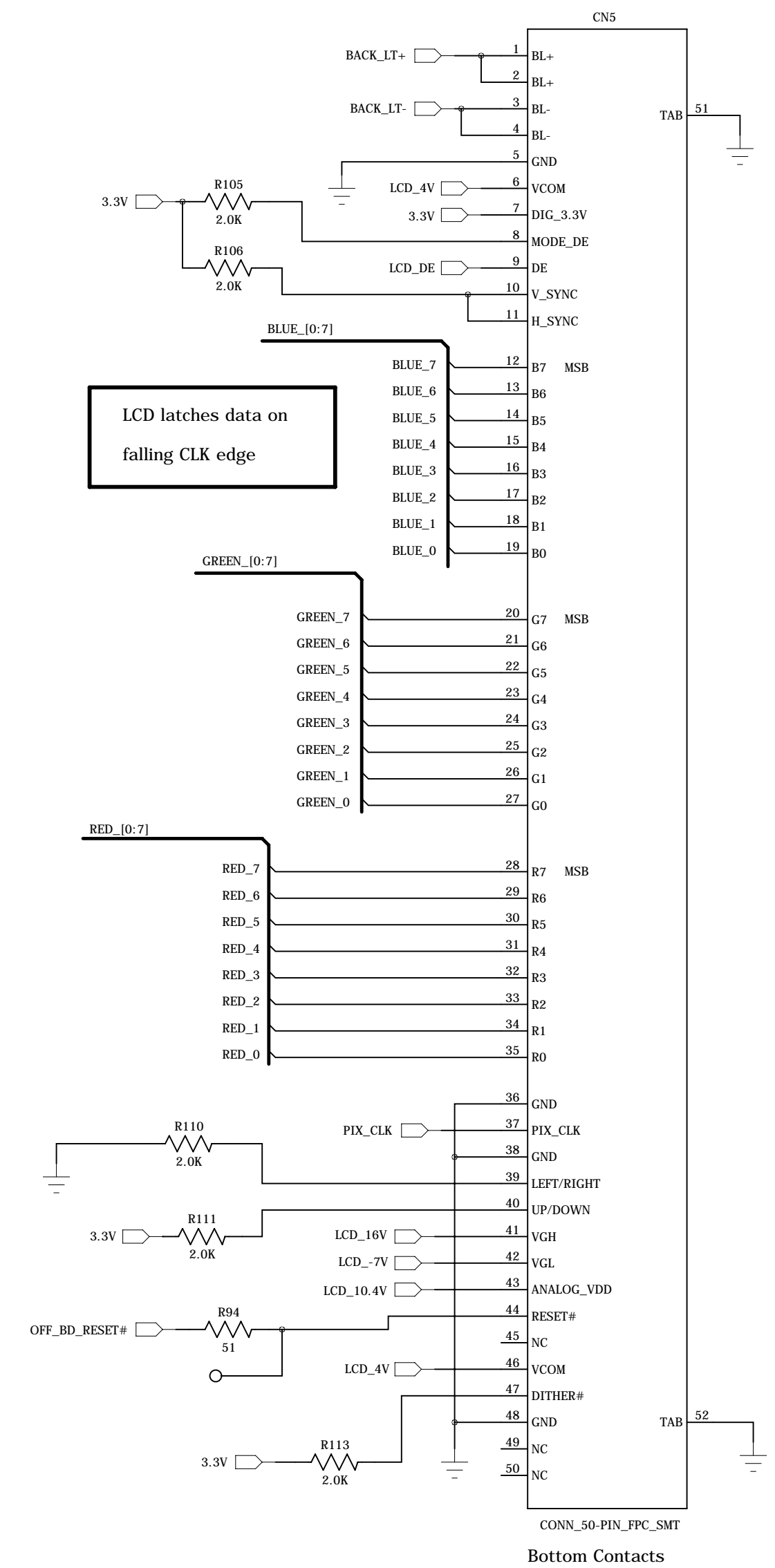
## Touch Screen Controller



## TH Touch Screen Connector

Technologic Systems	Date Nov. 25, 2012
Title: TS-8380 LCD and Switches	
Rev: A	Designer RLM
Sheet 6 of 10	

# 7 inch LCD Conn.

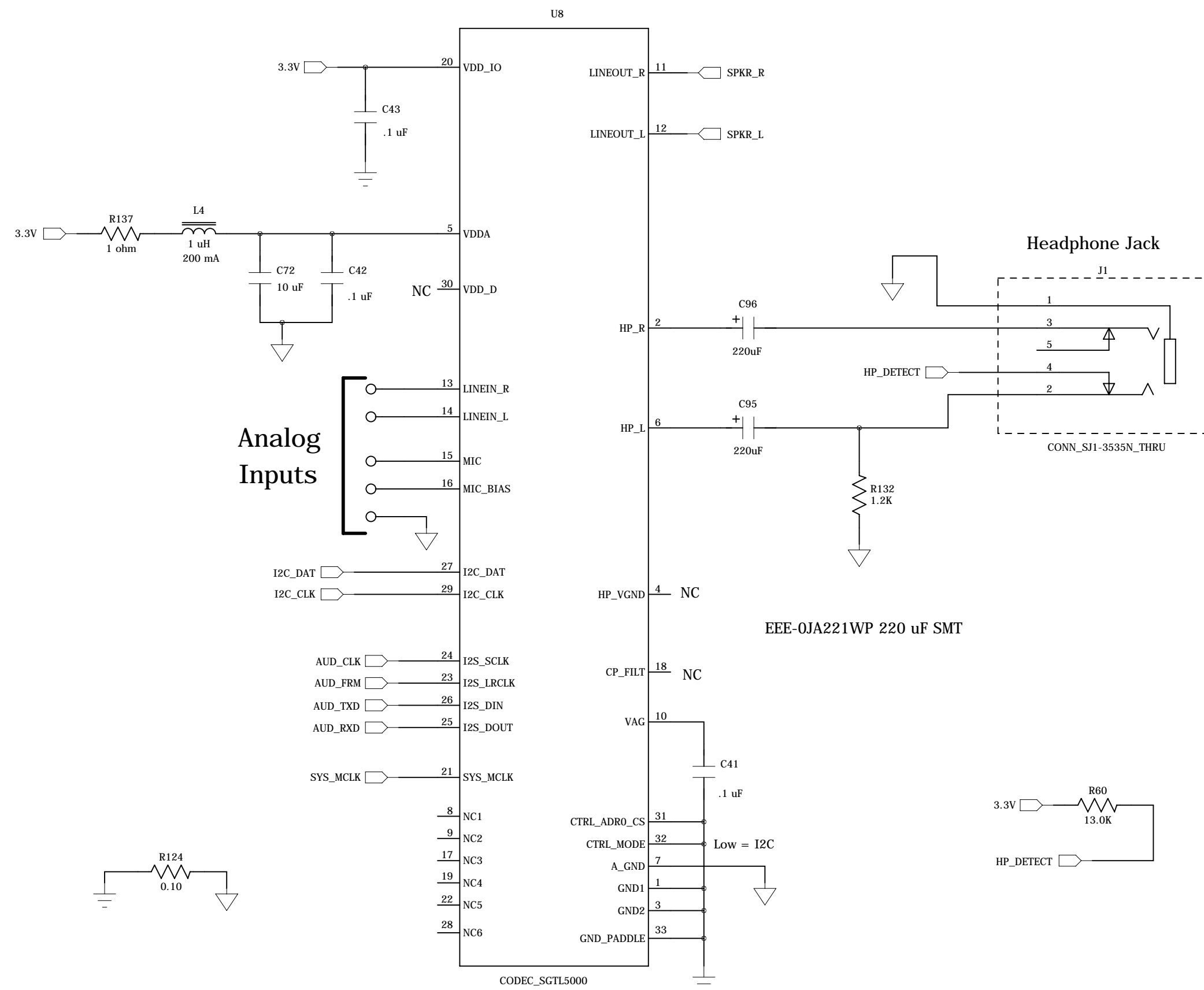


FCI# 62684-501100ALF

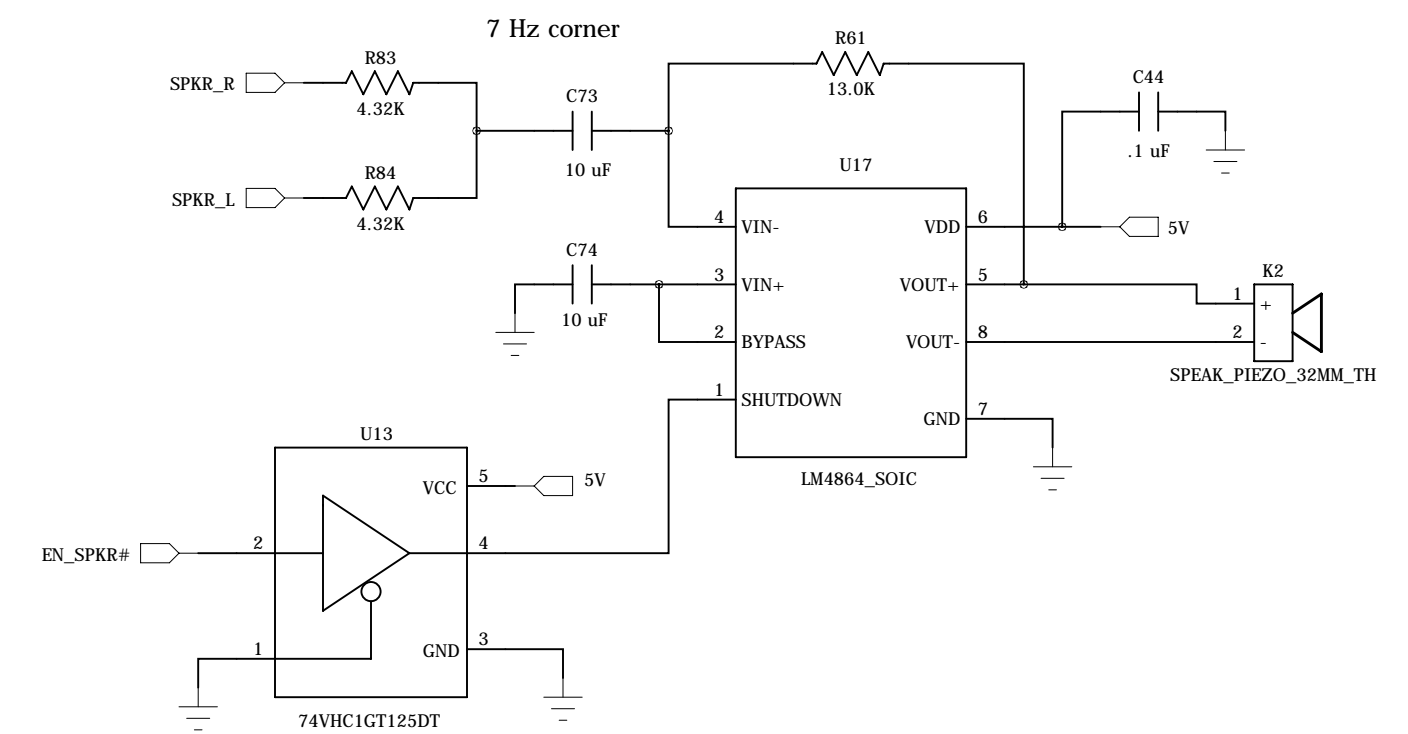
Technologic Systems		Date Nov. 25, 2012
Title: TS-8380 LCD stuff		
Rev: A	Designer RLM	Sheet 8 of 10

# Audio

## Audio CODEC



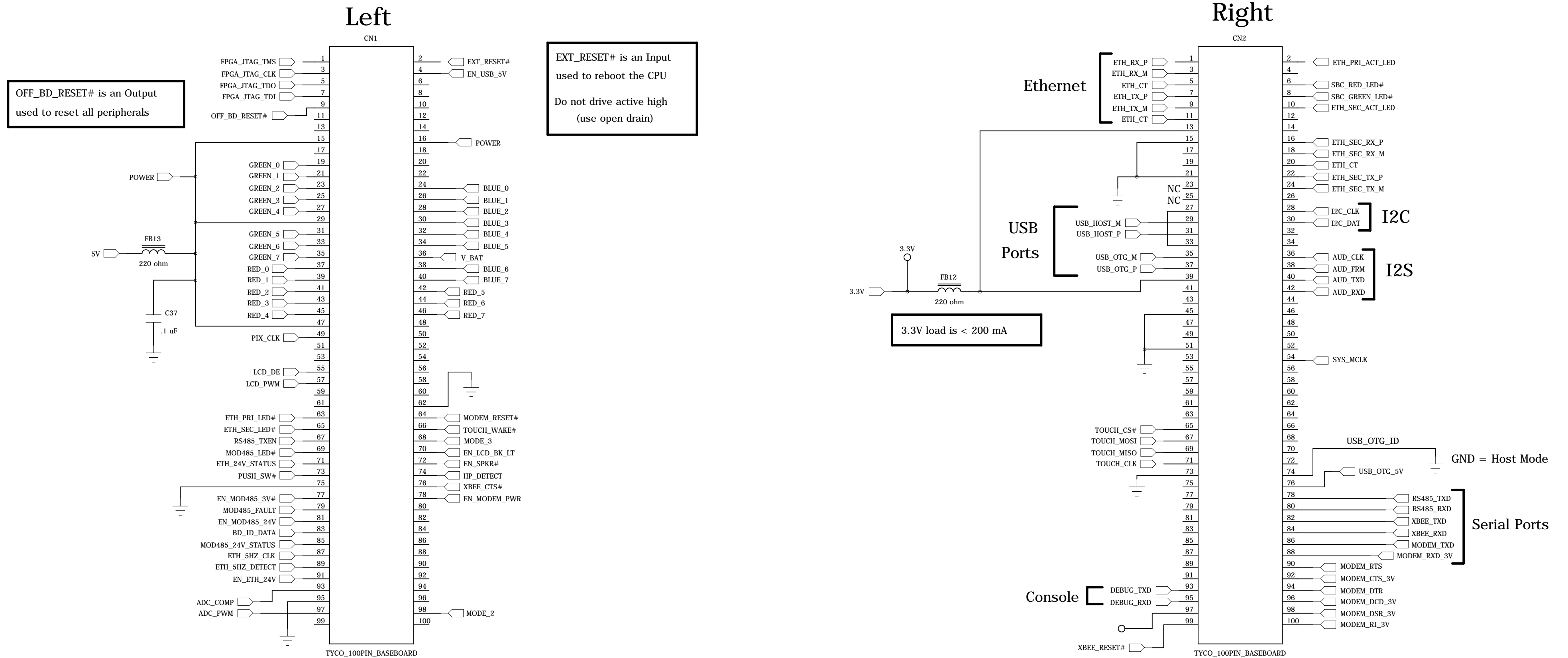
## Speaker Amp



Technologic Systems	Date Nov. 25, 2012
Title: TS-8380 Audio Codec, Speaker	
Rev: A	Designer RLM Sheet 9 of 10



# Two 100-pin Module Connectors



## Boot Strap

Mode 2	SBC Boots from
1	NAND Flash
0	SD Card

MODE2 state is latched prior to OFF\_BD\_RESET# deasserted

MODE2 has a PU on the SBC module