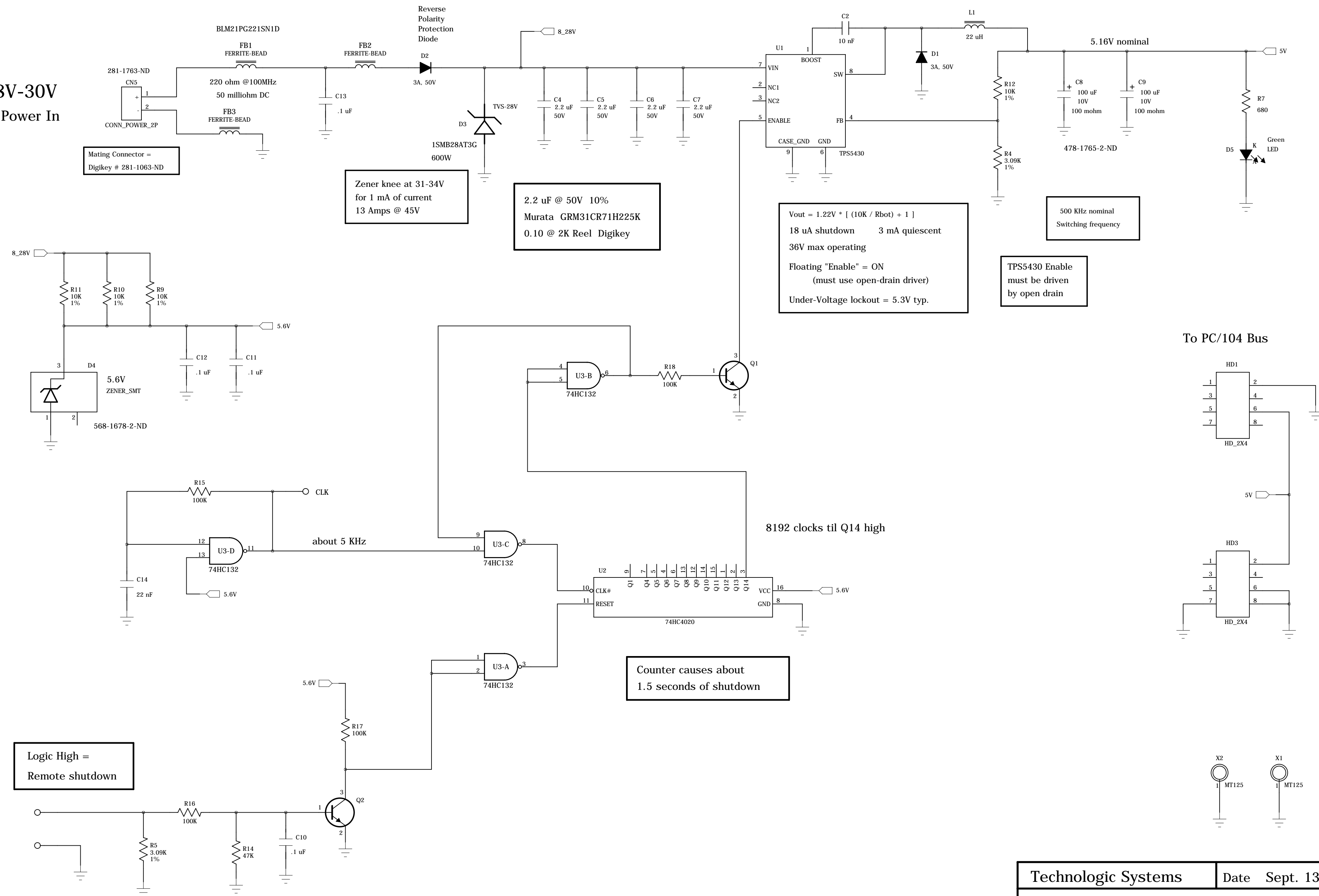


5V Power Supply (2.6 Amps)

8V-30V
Power In



Mating Connector =
Digikey # 281-1063-ND

Zener knee at 31-34V
for 1 mA of current
13 Amps @ 45V

2.2 uF @ 50V 10%
Murata GRM31CR71H225K
0.10 @ 2K Reel Digikey

$V_{out} = 1.22V * [(10K / R_{bot}) + 1]$
18 uA shutdown 3 mA quiescent
36V max operating
Floating "Enable" = ON
(must use open-drain driver)
Under-Voltage lockout = 5.3V typ.

500 KHz nominal
Switching frequency

TPS5430 Enable
must be driven
by open drain

Logic High =
Remote shutdown

Counter causes about
1.5 seconds of shutdown

8192 clocks til Q14 high

To PC/104 Bus

Technologic Systems	Date	Sept. 13, 2008
Title: TS-13W 8V - 30V Input; 5V output		
Rev:	Designer	RLM
Sheet		1 of 1