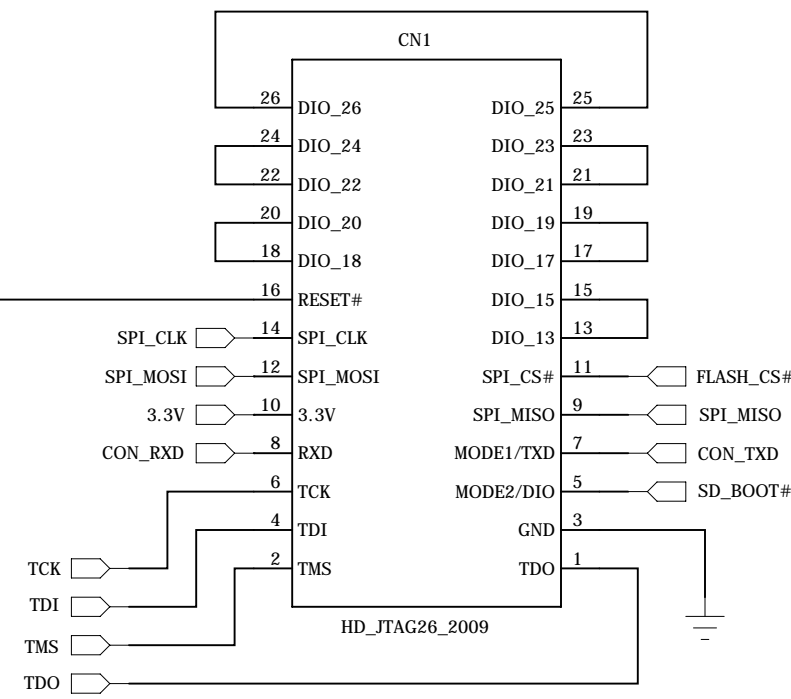
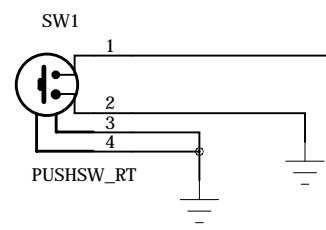


26-Pin Blast Connector

SBC RESET

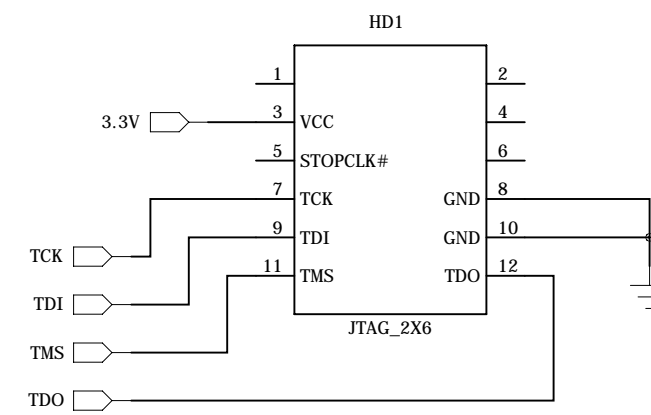


Mode 1	Mode 2	SBC Boots from
1	1	NAND Flash
1	0	SD Card
0	1	Off-board Flash
0	0	Off-board Flash

MODE1 and MODE2 states are latched when CPU_RESET# is deasserted

MODE1 and MODE2 have 4.7K resistor pull-ups on SBC

JTAG Header



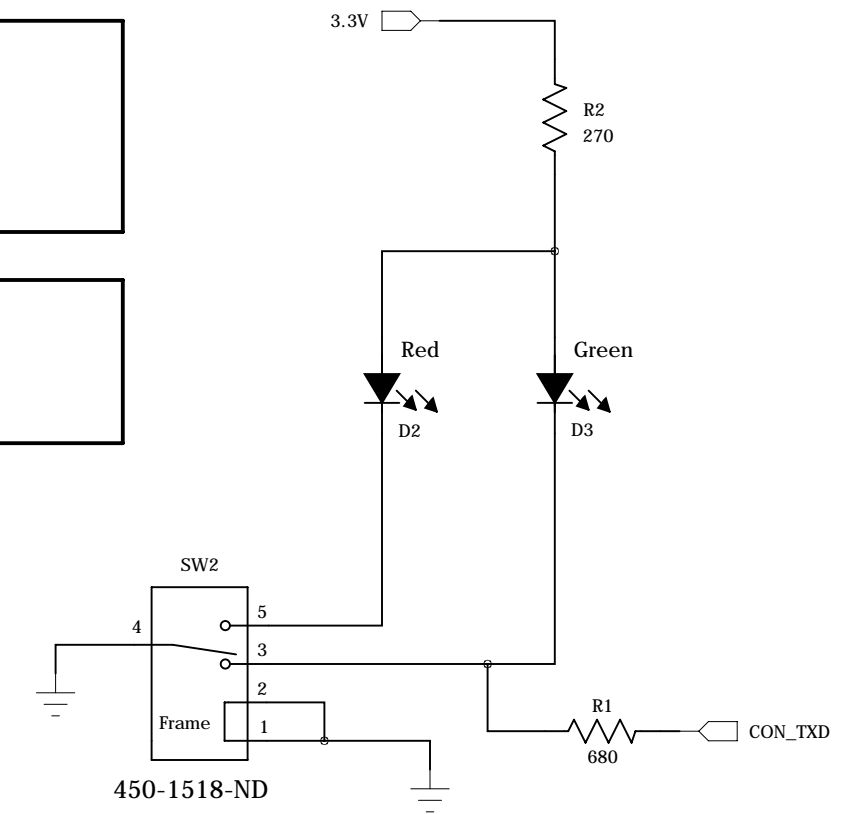
For TS-7552, TS-7553, TS-8510 and others

Green 3mm Thru-hole LED

160-1659-ND .14 320mcd 45 deg.
67-1059-ND .12 100mcd 30 deg.

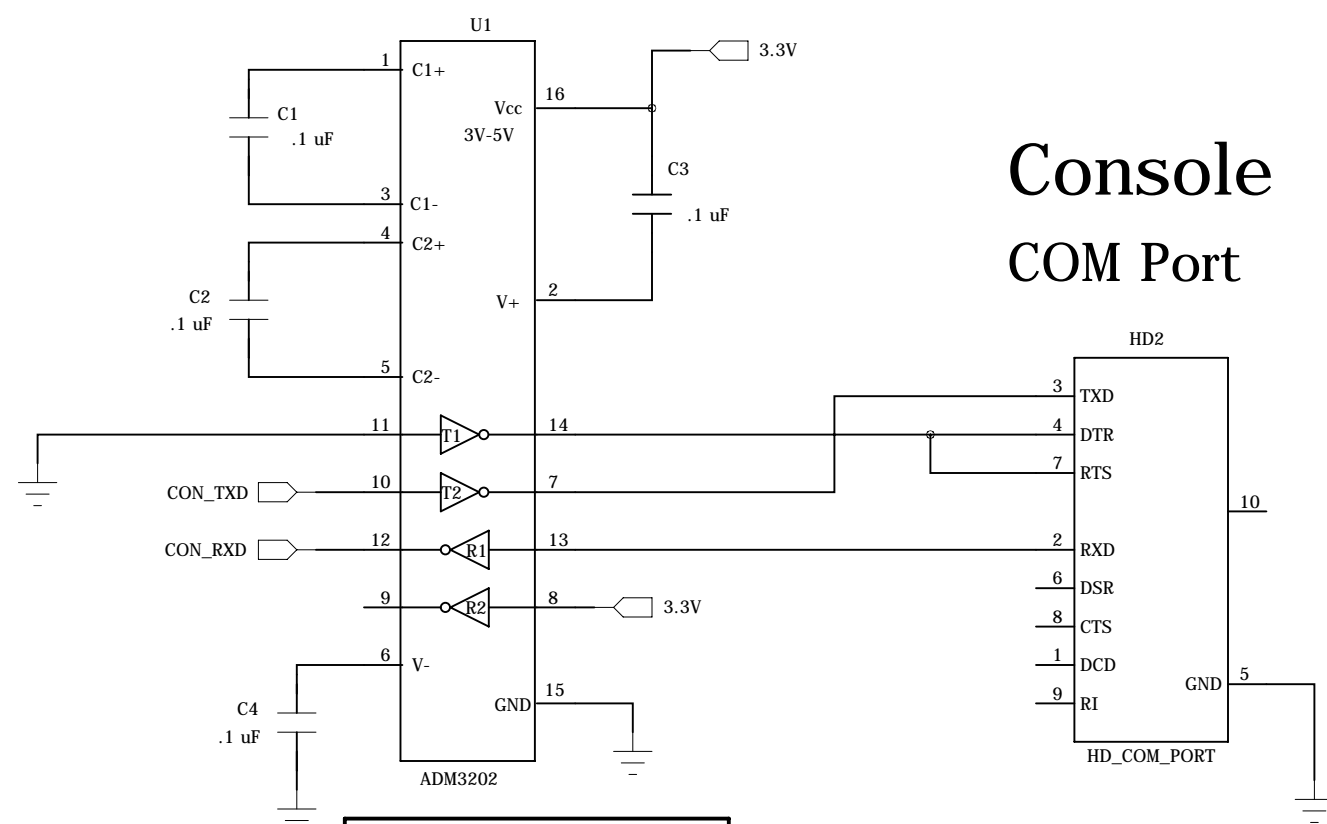
Red 3mm Thru-hole LED

160-1661-ND .13 250mcd 45 deg.



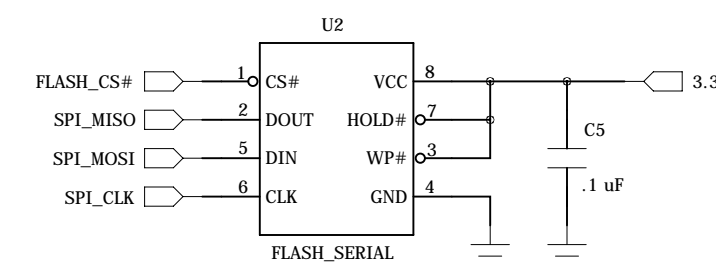
Switch down = Boot from 9448 Flash

RS-232 Transceiver



MAX3232 = 2nd source
ST3232 = 3rd source

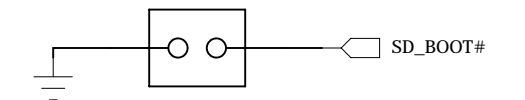
4 MB Serial Flash



For Recovery only

Used to De-Brick some SBC models

JP1



Attempt boot from SD card

Technologic Systems	Date Dec. 12, 2009
Title: TS-9448 JTAG and Console board	
Rev:	Designer
Sheet 1 of 1	