

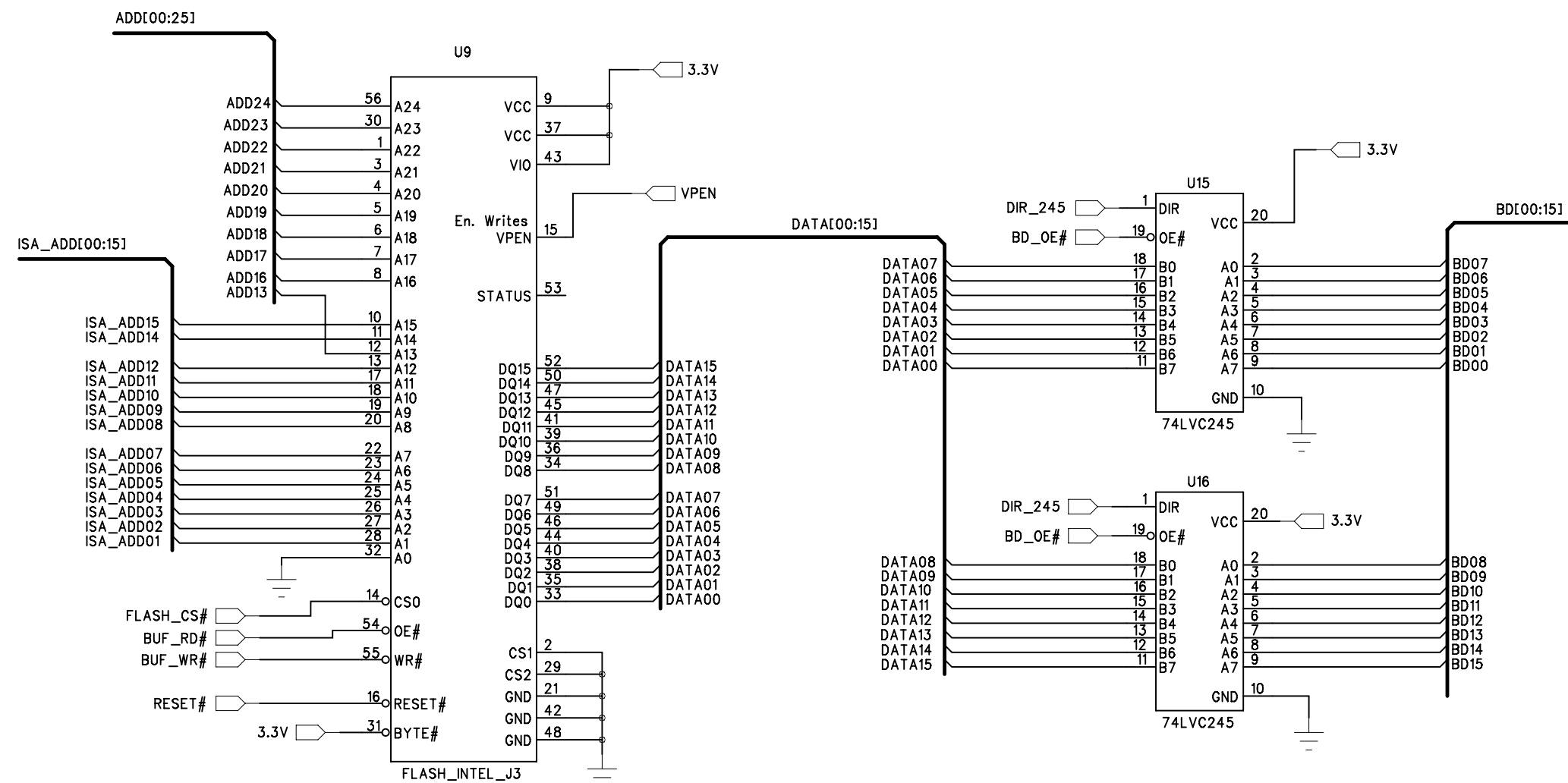
CS7 and CS6  
Select 16-bit Flash  
when CS7# = low  
and CS6# = high

EE\_CLK low @reset  
= Boot External

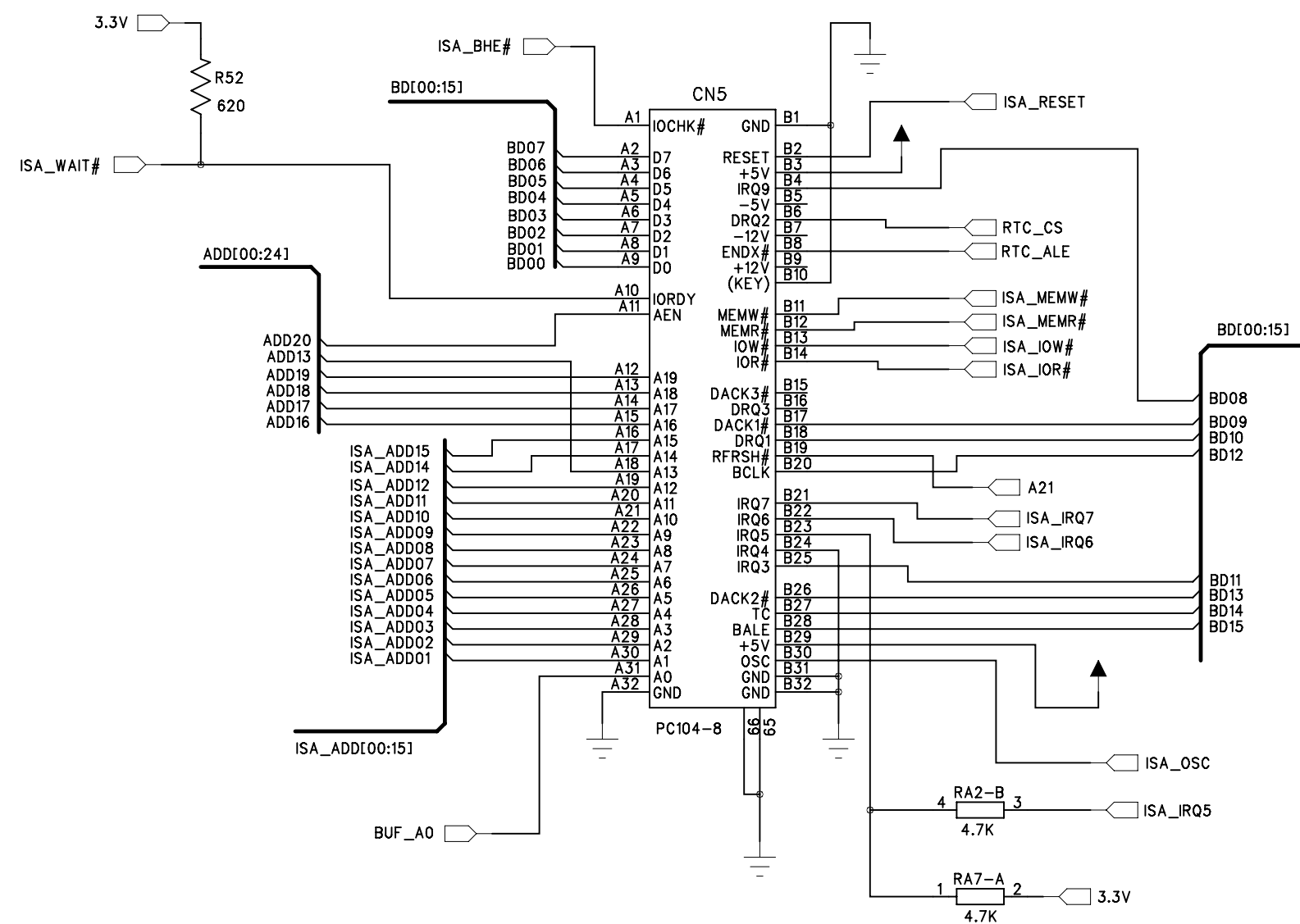
**Jumpers:**

- JP1 = Boot Serial
- JP2 = Console Enable
- JP3 = Write Enable Flash
- JP4 = Stop @ Redboot
- JP5 = TS\_Test
- JP6 = Reserved

# 4-32 MB Flash

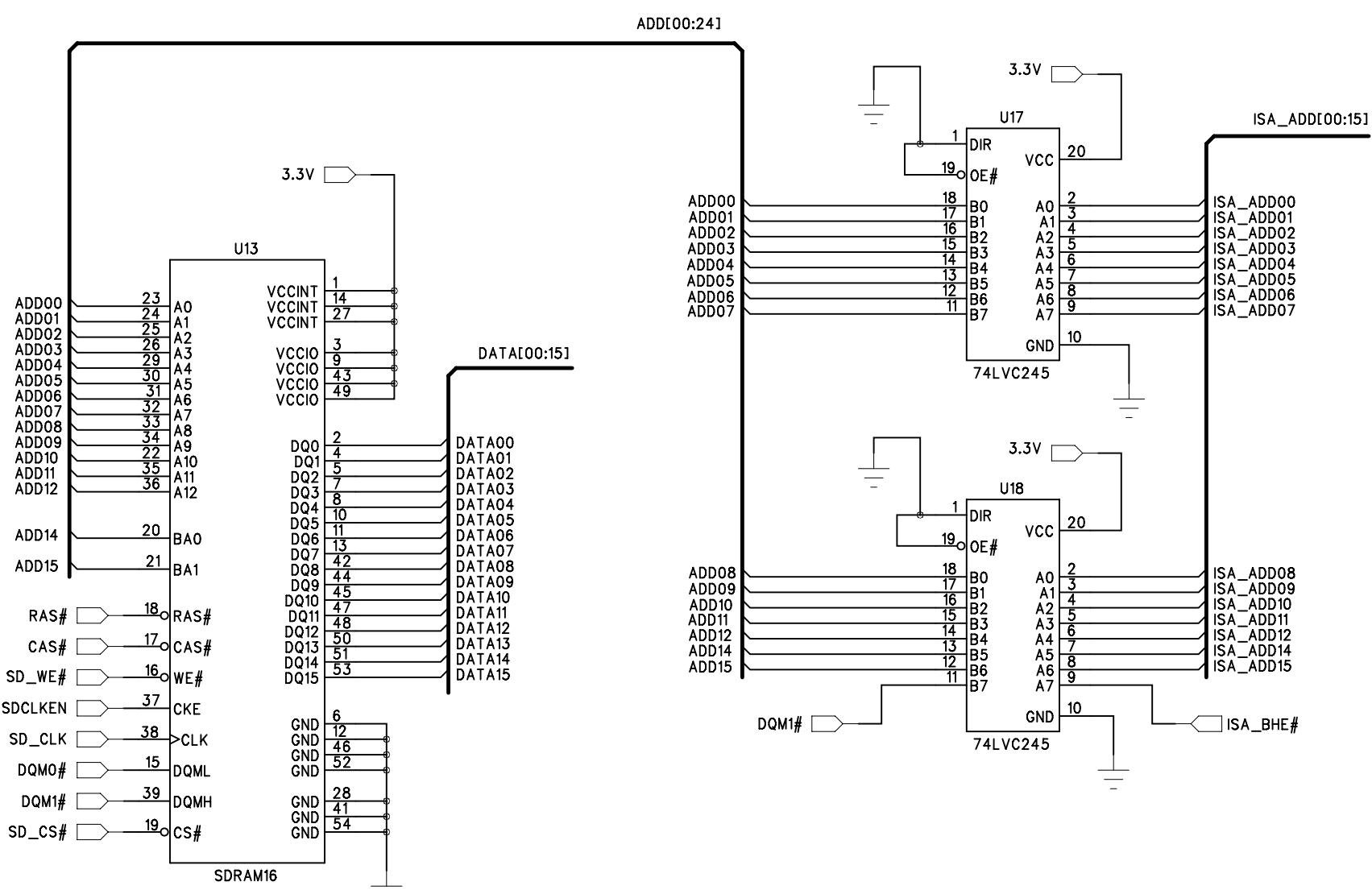


# PC/104 Connector

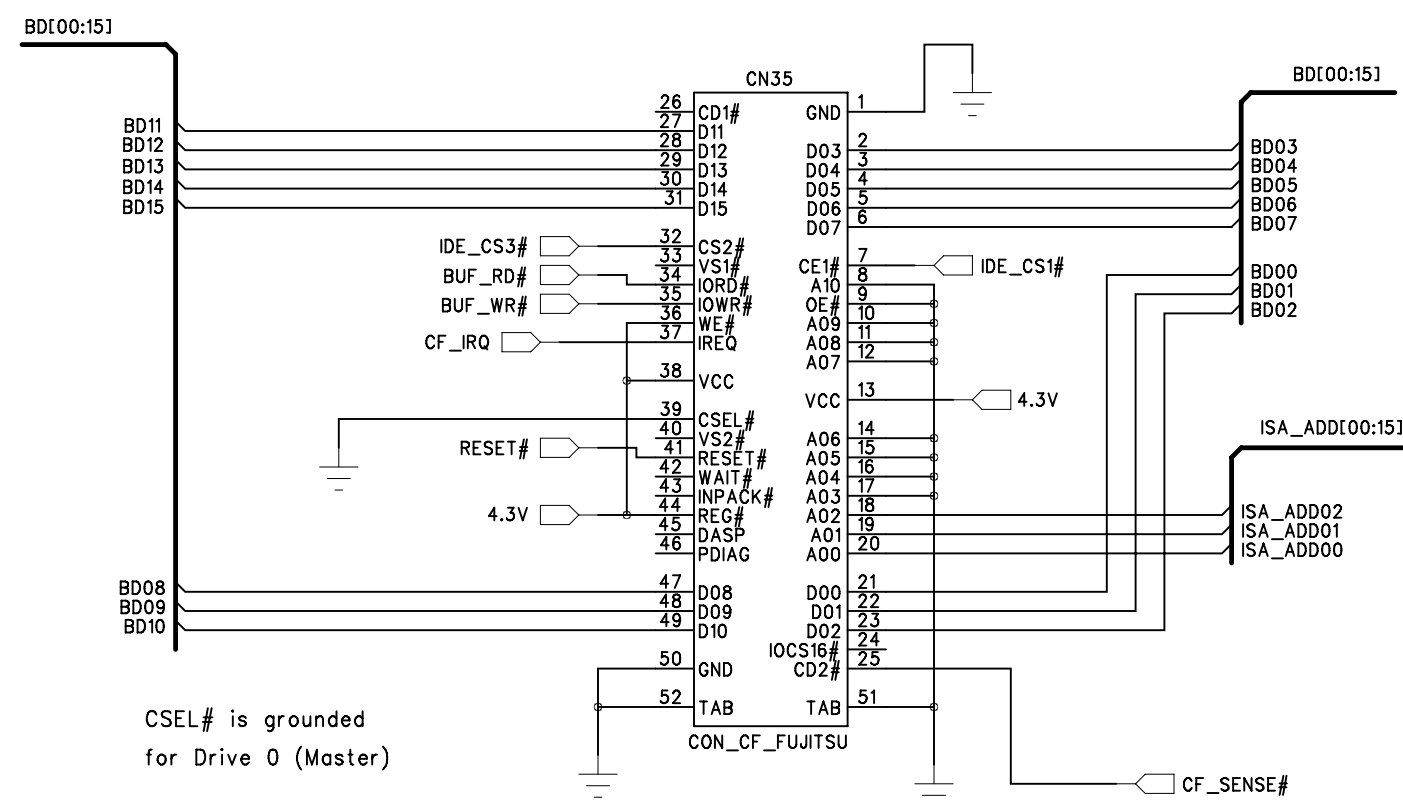


# SDRAM

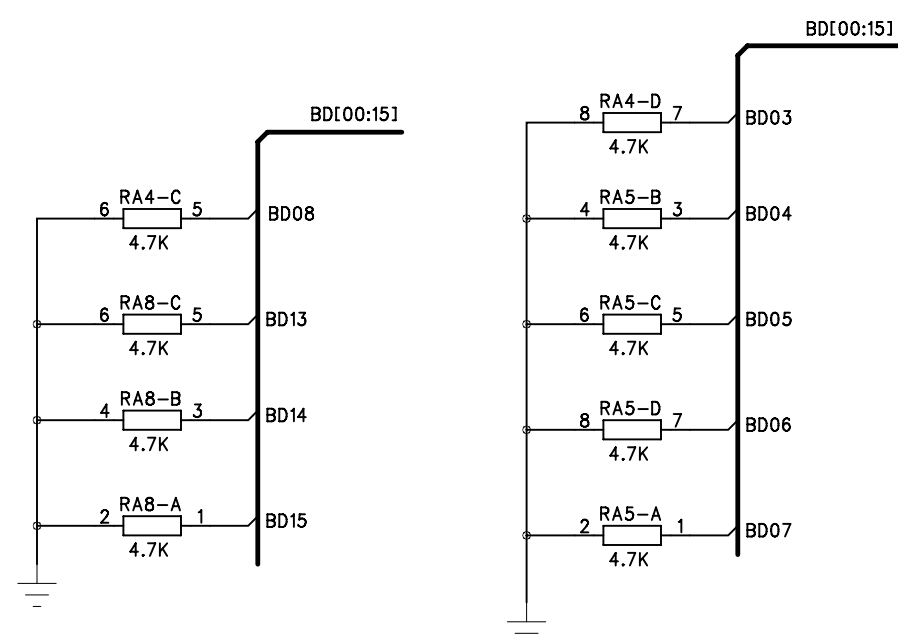
16 / 32 / 64 MB



# Compact Flash

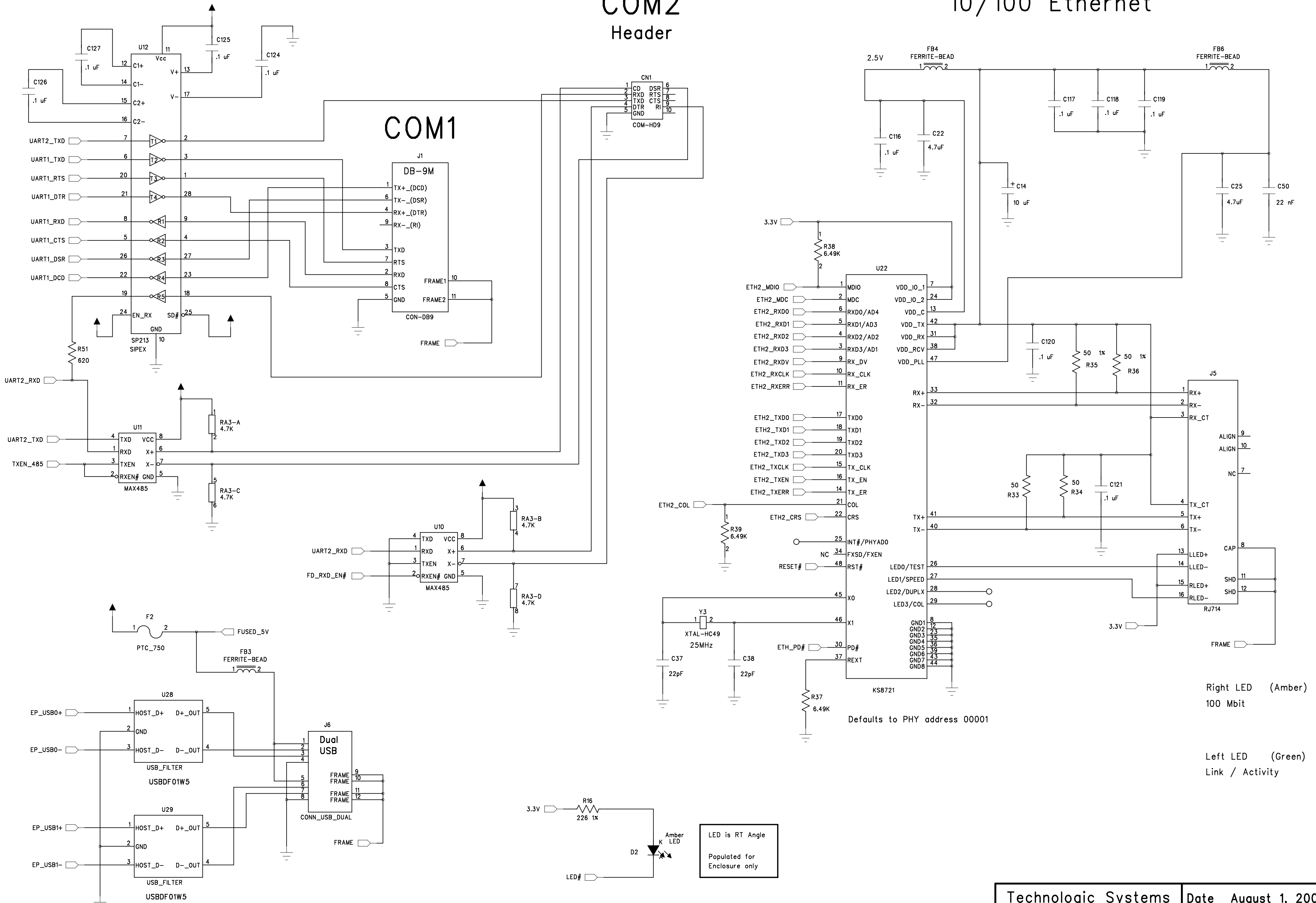


# Data Bus Pull-Down Resistors



# COM2 Header

# 10/100 Ethernet

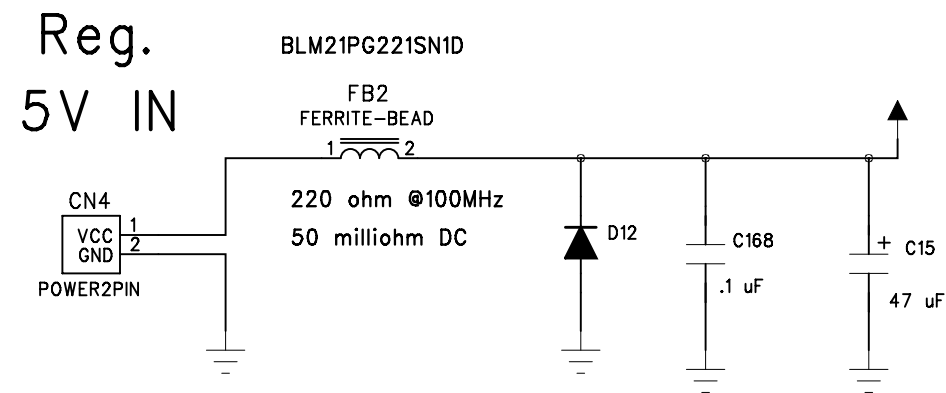


Right LED (Amber)  
100 Mbit

Left LED (Green)  
Link / Activity

LED is RT Angle  
Populated for  
Enclosure only

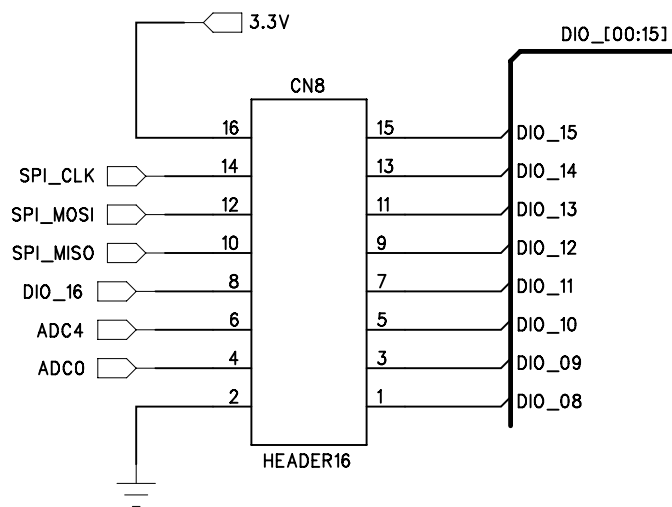
Technologic Systems	Date August 1, 2004
Title: TS-7200_P4 Ethernet, COM, USB	
Rev:	Designer RLM Sheet 3 of 4



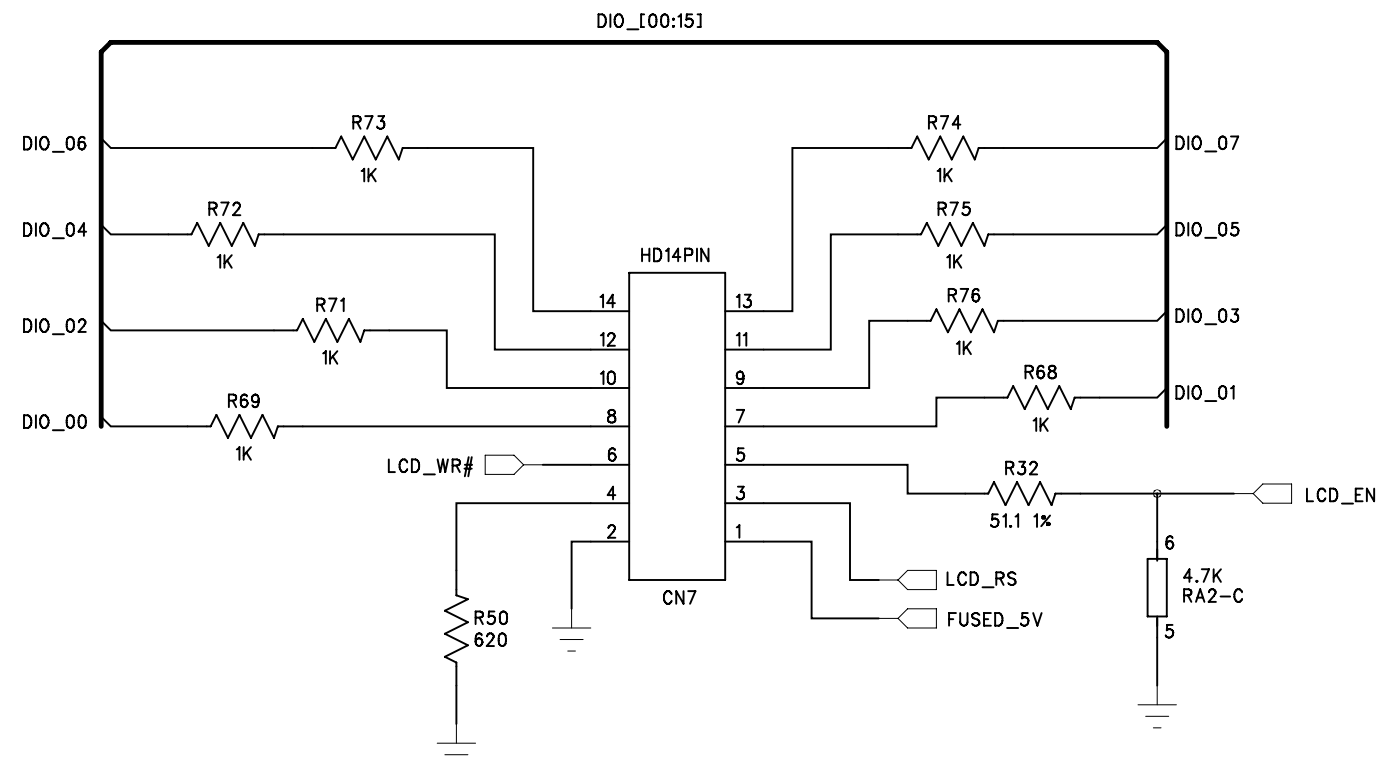
**Jumpers:**

- JP1 = Boot Serial
- JP2 = Console Enable
- JP3 = Write Enable Flash
- JP4 = Stop @ Redboot
- JP5 = TS\_Test
- JP6 = Reserved

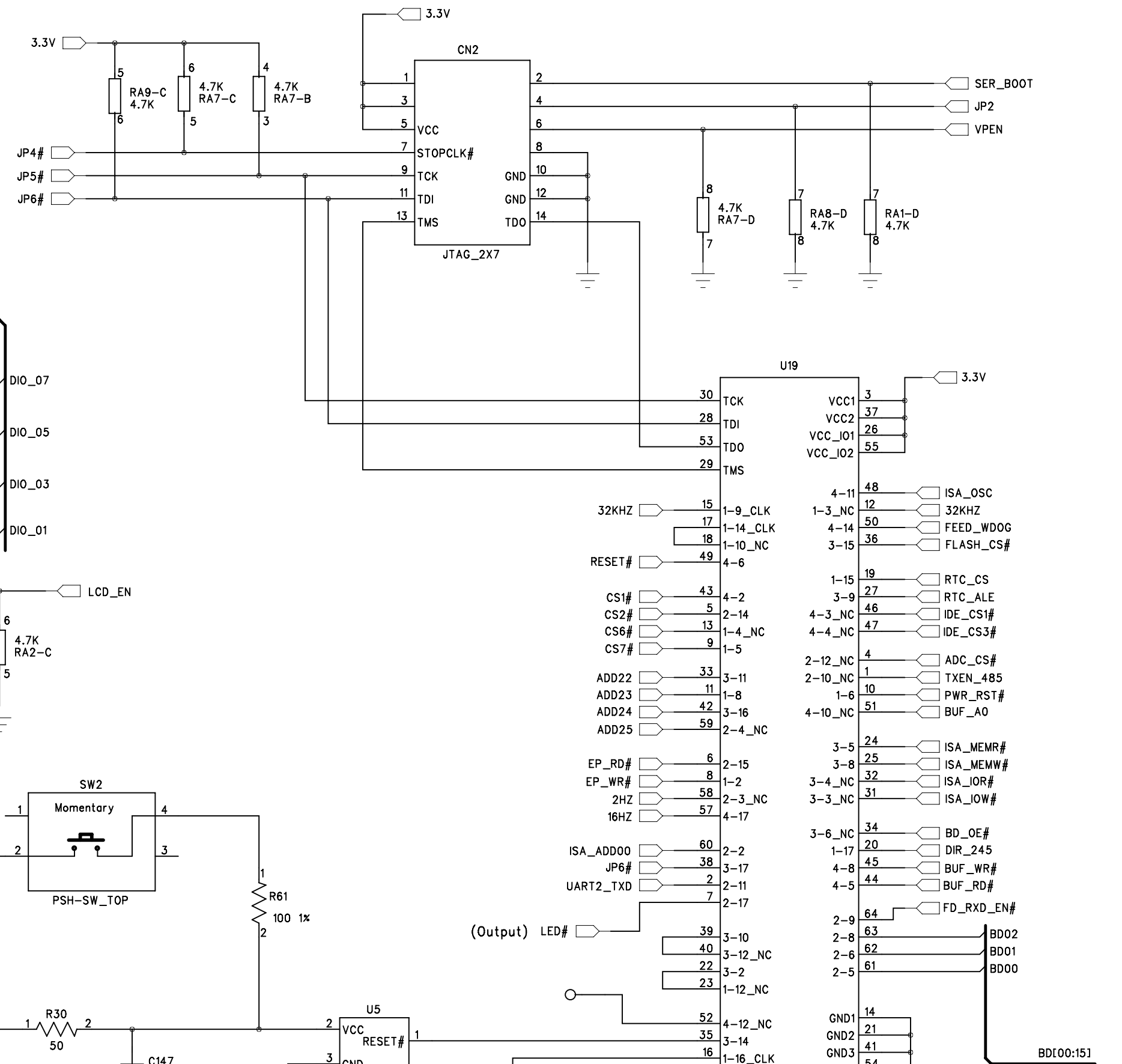
### DIO Port



### LCD Port



### JTAG



### 12-bit A/D Converter

