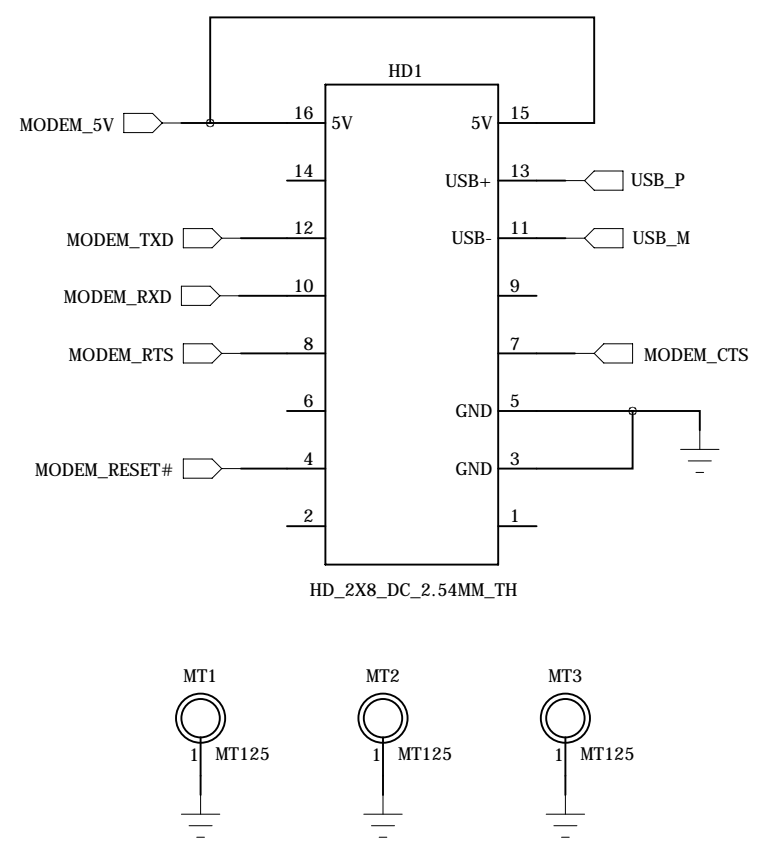
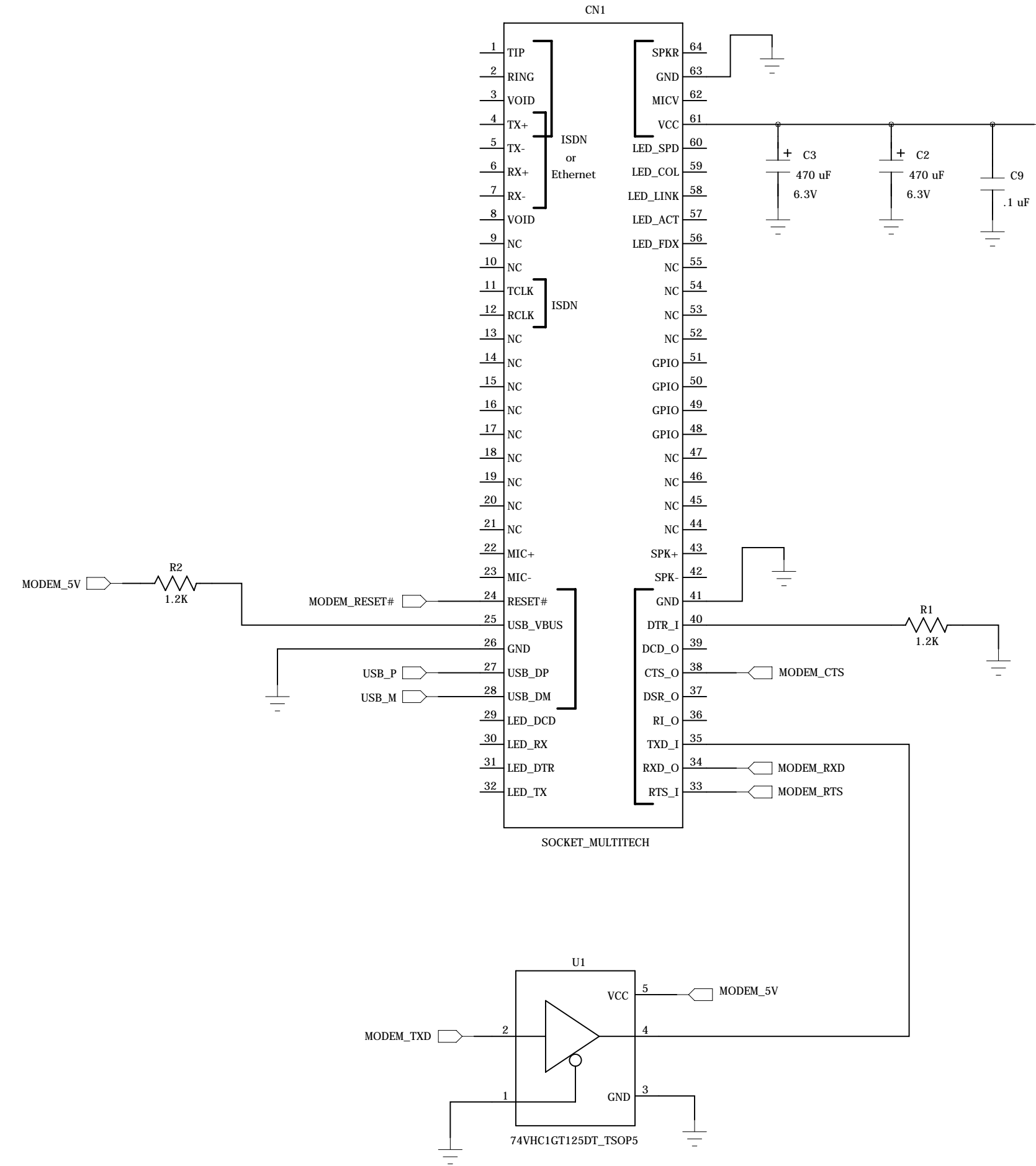


# Daughter Card for Multitech Modem

## Cell Modem Interface



## Modem



Inputs (TXD) are always TTL compatible  
 Outputs (RXD) swing CMOS levels  
 This means 0-5V if 5V powered

DTR and RTS are active low true Inputs