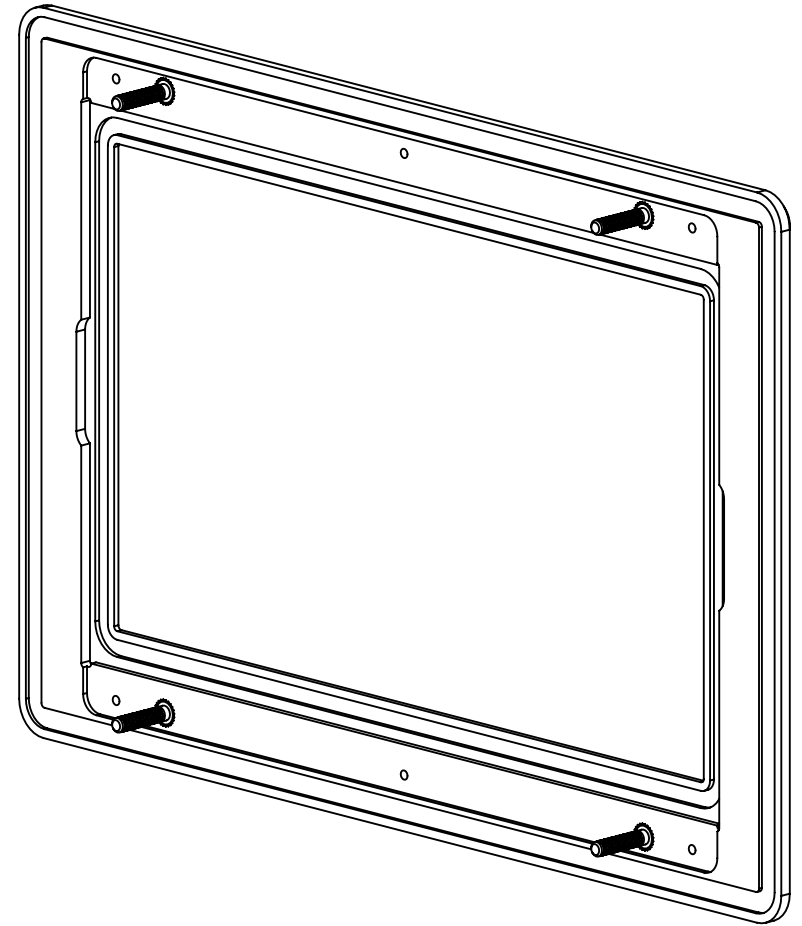
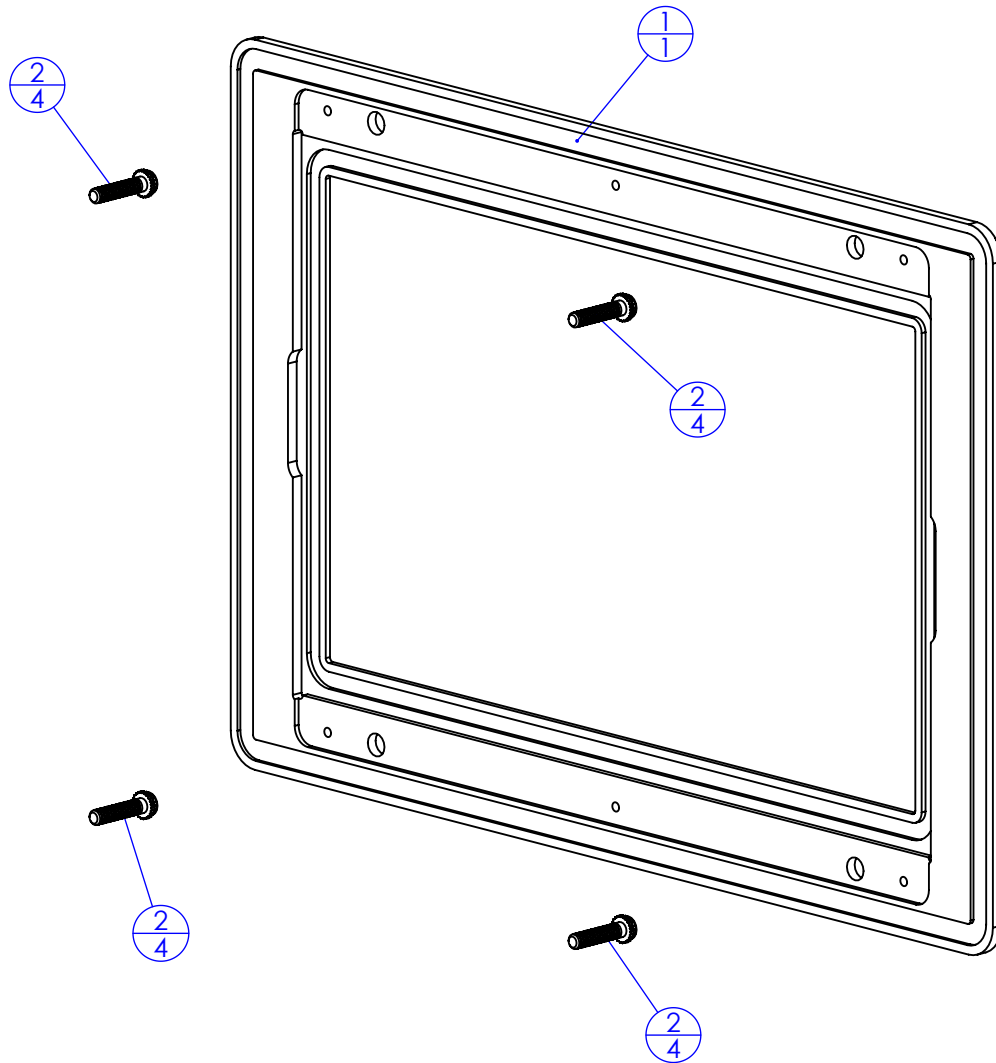


THE INFORMATION CONTAINED IN THIS DRAWING IS THE SOLE PROPERTY OF Technologic Systems Inc. ANY REPRODUCTION IN PART OR WHOLE WITHOUT THE WRITTEN PERMISSION OF Technologic Systems Inc. IS PROHIBITED.

REVISIONS			
REV.	DESCRIPTION	DATE	APPROVED



NOTE:
PRESS PEM-STUDS IN AFTER ANODIZING

ITEM NO.	PART NUMBER	DESCRIPTION	QTY.
1	TPC-101	Frame Bezzel	1
2	PEM CFHC-440-8	Pem Stud, 4-40 x 0.5", Blind	4

**Technologic
Systems, Inc.**

Drawing is in accordance
with ASME Y14.3-1994
DO NOT SCALE DRAWING

APPROVALS	DATE
DRAWN	04-13-08
MODIFIED	05-20-09
CHECKED	-
MFG ENG	
DRAWN BY	W.L.

DISCRPTION

Front Bazzel Assembly

PROJECT

Touch-PC Panel

UNLESS OTHERWISE SPECIFIED
DIMESIONS ARE IN INCHES
TOLERANCES ARE:
.XX +/-0.010"
.XXX +/-0.005"
ANGLES +/-0.5 DEG

SIZE B DWG. NO. **TPC-101-1**

REV. **A02**

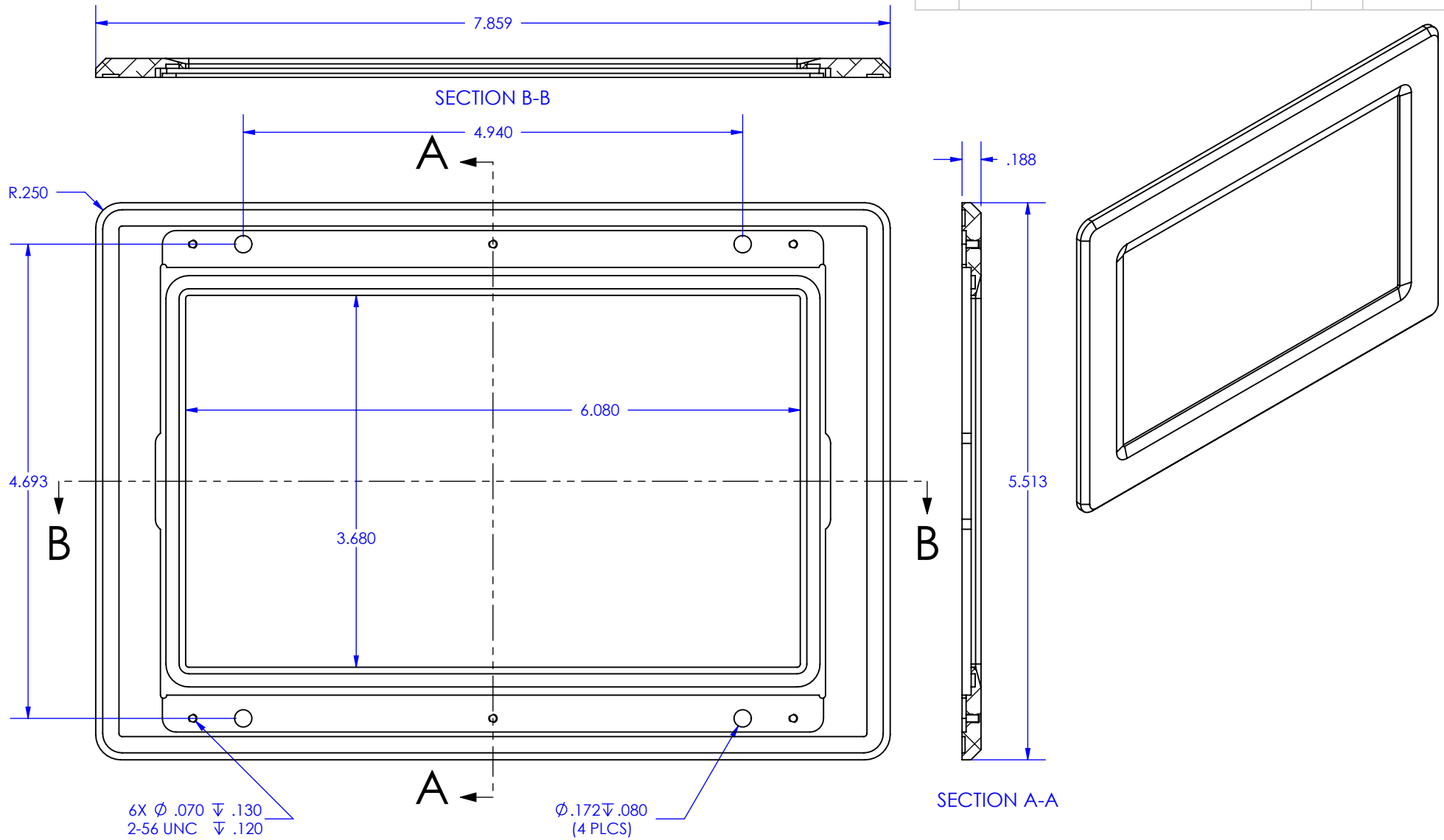
Scale: 1:1.4

FILE NAME: TPC-101

SHEET 1 OF 2

THE INFORMATION CONTAINED IN THIS DRAWING IS THE SOLE PROPERTY OF Technologic Systems Inc. ANY REPRODUCTION IN PART OR WHOLE WITHOUT THE WRITTEN PERMISSION OF Technologic Systems Inc. IS PROHIBITED.

REVISIONS			
REV.	DESCRIPTION	DATE	APPROVED



Notes: Unless otherwise specified

- 1) Interpret drwg in accordance with ASME Y14.3-1994
- 2) Material: Aluminum
- 2) Finish: Anodize
- 3) Remove burrs and break edges .005/.015
- 4) PACKAGE TO PREVENT DAMAGE DURING HANDLING, STORAGE & SHIPPING

Technologic Systems, Inc.	Drawing is in accordance with ASME Y14.3-1994 DO NOT SCALE DRAWING		DISCUSSION		
	APPROVALS		DATE		
	DRAWN		04-13-08		
	MODIFIED		05-20-09		
	CHECKED		-		
	MFG ENG				
DRAWN BY		W.L.		PROJECT	
				Touch-PC Panel	
				UNLESS OTHERWISE SPECIFIED DIMENSIONS ARE IN INCHES TOLERANCES ARE: .XX ± 0.010 " .XXX ± 0.005 " ANGLES ± 0.5 DEG	
		SIZE	DWG. NO.	REV.	
		B	TPC-101-2	A02	
		Scale: 1:1.4	FILE NAME: TPC-101	SHEET 2 OF 2	